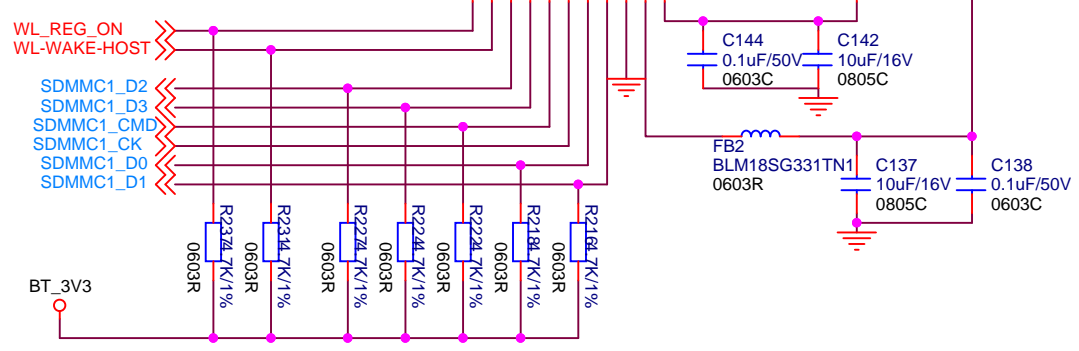


PCM Uart IN/OUT Need Cross



D
C
B
A