

## RM67162 Data Sheet

Single Chip Driver with 16.7M color  
for 480RGBx480 OLED driver

CONFIDENTIAL

**Revision : 0.0**

**Date : Mar 07, 2016**



## Table of Contents

<b>Table of Contents</b> .....	3
1. General Description .....	5
2. Features.....	6
3. Block Diagram.....	9
4. Pin Description .....	10
4.1 Power Supply Pins .....	10
4.2 Interface Pins.....	11
4.3 MIPI Interface Pins .....	12
4.4 Interface Logic Pins .....	13
4.5 Driver Output Pins (Pins for Panel) .....	14
4.6 DC/DC Convert Pins.....	15
4.7 Test Pins .....	16
5. Function Description .....	17
5.1 Interface Type Selection.....	17
5.2 16-Bit Serial Interface .....	18
5.2.1 Write Cycle and Sequence .....	18
5.2.2 Read Cycle and Sequence .....	19
5.3 3-wire/4-wire SPI Interface .....	20
5.3.1 Write Cycle and Sequence .....	20
5.3.2 Read Cycle and Sequence .....	21
5.3.3 Break and Pause Sequence .....	23
5.4 Display Serial Interface (DSI).....	24
5.3.1 DSI Protocol .....	25
5.3.2 Processor to Peripheral Transactions .....	27
5.3.3 Peripheral-to-Processor LP Transmission .....	32
5.3.4 Error Report Format .....	33
5.3.5 Peripheral-to-Processor Transaction – Detail Format Description .....	34
5.3.6 DSI Video Mode Interface Timing .....	35
5.3.7 Error Correction Code (ECC) .....	36
5.3.8 Notice .....	37
5.5 Tearing Effect Output.....	38
5.4.1 Tearing Effect Line Mode .....	38
5.4.2 Tearing Effect Line Timing .....	40
6. Command .....	41
6.1 Command List.....	41
6.2 Command Description .....	43
NOP (0000h).....	43
SWRESET(0100h) : Software Reset .....	44
RDDID(0400h~0402h) : Read Display ID .....	45
RDNUMED(0500h) : Read Number of Errors on DSI.....	46
RDDPDM (0A00h) : Read Display Power Mode .....	47
RDDMADCTR (0B00h): Read Display MADCTR.....	48
RDDCOLMOD (0C00h): Read Display Pixel Format .....	49
RDDDIM (0D00h): Read Display Image Mode.....	50
RDDDSM (0E00h): Read Display Signal Mode .....	51
RDDSDR (0F00h): Read Display Self-Diagnostic Result .....	52
SLPIN (1000h): Sleep In .....	53
SLPOT (1100h): Sleep Out.....	55
PTLON (1200h): Partial Display Mode On.....	57
NORON (1300h): Normal Display Mode On.....	58
INVOFF (2000H): Display Inversion Off .....	59
INVON (2100H): Display Inversion On.....	60
ALLPOFF (2200H): All Pixel Off.....	61
ALLPON (2300H): All Pixel On.....	63

	DISPOFF (2800h): Display Off.....	65
	DISPON (2900h): Display On.....	66
	CASET(2A00h~2A03h) : Set Column Start Address.....	67
	RASET(2B00h~2B03h) : Set Row Start Address.....	69
	RAMWR (2C00h): Memory Write.....	71
	RAMRD (2E00h): Memory Read.....	73
	PTLAR (3000h): Partial Area.....	75
	PTLAR (3100h): Vertical Partial Area.....	77
	TEOFF (3400h): Tearing Effect Line OFF.....	80
	TEON (3500h): Tearing Effect Line ON.....	81
	MADCTR (3600h): Scan Direction Control.....	84
	IDMOFF (3800h): Idle Mode Off.....	86
	IDMON (3900h): Enter_idle_mode.....	87
	COLMOD (3A00h): Interface Pixel Format.....	89
	RAMWRC (3C00h): Memory Continuous Write.....	91
	RAMRDC (3E00h): Memory Continuous Read.....	93
	STESL(4400h) : Set_Tear_Scanline.....	95
	GSL (4500h) : Get_Scanline.....	96
	DSTBON (4F00h): Deep Standby Mode On.....	97
	WRDISBV (5100h): Write Display Brightness.....	98
	RDDISBV (5200h): Read Display Brightness.....	99
	WRCTRLD (5300h): Write Display Control.....	100
	RDCTRLD (5400h): Read Display Control.....	101
	IMGEHCCTR (5800h) : Set_color_enhance.....	102
	IMGEHCCTR (5900h) : Read_color_enhance.....	103
	CESLRCTR (5A00h) : Set_color_enhance1.....	104
	CESLRCTR (5B00h) : set_color_enhance1.....	105
	RDDDBS(A100h) : Read_DDB_Start.....	106
	RDDDBC(A800h) : Read DDB Continous.....	108
	RDFCS(AA00h) : Read First Checksum.....	110
	RDCCS(AF00h) : Read Continue Checksum.....	111
	SetHBMMode (B000h) : Set_HBM Mode.....	112
	SetDSIMode (C200h) : set_DSI Mode.....	113
	SetDSPIMode (C400h) : set_DSPI Mode.....	114
	<b>(FE00h): CMD Mode Switch.....</b>	<b>117</b>
	<b>(FF00h): Read CMD Status.....</b>	<b>119</b>
7.	Electrical Characteristics.....	121
7.1	Absolute Maximum Ratings.....	121
7.2	ESD Protection Level.....	121
7.3	Latch-Up Protection Level.....	121
7.4	DC Characteristics.....	122
7.5	MIPI Characteristics.....	123
7.5.1	High-Speed Receiver Specification.....	123
7.5.2	Forward high speed transmissions.....	124
7.5.3	Data to Clock Timing Definitions.....	125
7.5.4	Low power transceiver specifications.....	126
7.6	AC Characteristics.....	127
7.6.1	Serial Interface Characteristics.....	127
7.6.2	DSI Timing Characteristics.....	128
7.6.3	Reset Timing.....	131
8.	Power Generation.....	132
8.1	2 Supply Power ( VDDI / VDD ).....	132
8.2	DC/DC Converter Circuit.....	133
8.3	External Components.....	134
8.4	Power on/off sequence and timing.....	135
8.5	Power Level Modes.....	136
9.	Pad Diagram and Coordination.....	137

## 1. General Description

The RM67162 device is a single-chip solution for LTPS AMOLED that incorporates gate drivers and is capable of 480RGBx480, 400RGBx400, 360RGBx480, 320RGBx320, 320RGBx480, 272RGBx480, 240RGBx240, 240RGBx320, 180RGBx360, 180RGBx540, 128RGBx432with internal GRAM. It includes a 5,529,600 bits internal memory, a timing controller with glass interface level-shifters and a glass power supply circuit.

The RM67162 supports MIPI Interface, 8-bit system interfaces, serial peripheral interfaces (SPI), dual serial peripheral interfaces (Dual-SPI). The specified window area can be updated selectively, so that moving pictures can be displayed simultaneously independent of the still picture area.

The RM67162 is also able to make gamma correction settings separately for RGB dots to allow benign adjustments to panel characteristics, resulting in higher display qualities. The IC possesses internal GRAM that stores 480-RGB x 480-dot 16.77M-color images. A deep standby mode is also supported for lower power consumption.

This LSI is suitable for wearable device applications, including I-watch and smart band.

CONFIDENTIAL

## 2. Features

- **Single chip AMOLED controller/driver with display RAM**
- **Display resolution option**
  - 480RGB x 480 with 480x24-bits x 480 GRAM
  - 400RGB x 400 with 400x24-bits x 400 GRAM
  - 360RGB x 480 with 360x24-bits x 480 GRAM
  - 320RGB x 320 with 320x24-bits x 320 GRAM
  - 320RGB x 480 with 320x24-bits x 480 GRAM
  - 272RGB x 480 with 272x24-bits x 480 GRAM
  - 240RGB x 240 with 240x24-bits x 240 GRAM
  - 240RGB x 320 with 240x24-bits x 320 GRAM
  - 180RGB x 360 with 180x24-bits x 360 GRAM
  - 180RGB x 540 with 180x24-bits x 540 GRAM
  - 128RGB x 432 with 128x24-bits x 432 GRAM
- **Display data RAM (frame memory): 480 x480 x 24-bits = 5,529,600 bits**
- **Display mode (Color mode)**
  - Full color mode: 16.7M-colors
  - Idle mode: 16.7M-colors, 4096-colors, 8-colors
- **Interface**
  - 8-bits 80-series MPU interface
  - Serial peripheral interface (SPI)
  - Dual serial peripheral interface (Dual-SPI)
  - MIPI Display Serial Interface (1 clock and 2 data lane pairs)
    - ◆ Support 1lane/2lane (1lane: 500Mbps)
    - ◆ Maximum total bit rate is 500Mbps of 2 data lanes 24-bit data format/ 360Mbps of 2 data lanes 18-bit data format/ 320Mbps of 2 data lanes 16-bit data format
- **Abundant color display and drawing functions**
  - Programmable  $\gamma$ -correction function for 16.7 million color display
  - Individual gamma correction setting for RGB dots
  - Partial display function
- **Sunlight readable**
- **Control power IC by one-wire interface**
- **On chip**
  - VREFP5/VREFN5 voltage generator for panel voltage
  - VGHR/VGLR voltage for gate control signal
  - Internal oscillator for display clock
  - Source output MUX 1-6 with 240ch source output pins
  - Supports gate control signals to gate driver in the panel
- **Built-in OTP function to adjust panel setting**
- **Logic / interface power supply voltage VDDI = 1.65V ~ 3.3V**
- **Analog power supply voltage VDD = 2.7V ~ 3.6V**

## ■ Output voltage levels

- Positive gate driver voltage range for VGHR: 3 ~ 10.5V
- Negative gate driver voltage range for VGLR: -2V ~ -15V
- VREFP5 panel voltage range : 0~5V
- VREFN5 panel voltage range : -0.5~-5V
- Step-up 1,2 output voltage range for AVDD: 4.5 ~ 6.5V, VCL: -3.5 ~ -5.0V
- Gamma high/low voltage range for VGMP: 2.0V ~ 6.0V (Max<=AVDD-0.5v) , VGSP: 0V, 0.3V ~ 4.5V

## ■ Package: COF/COG

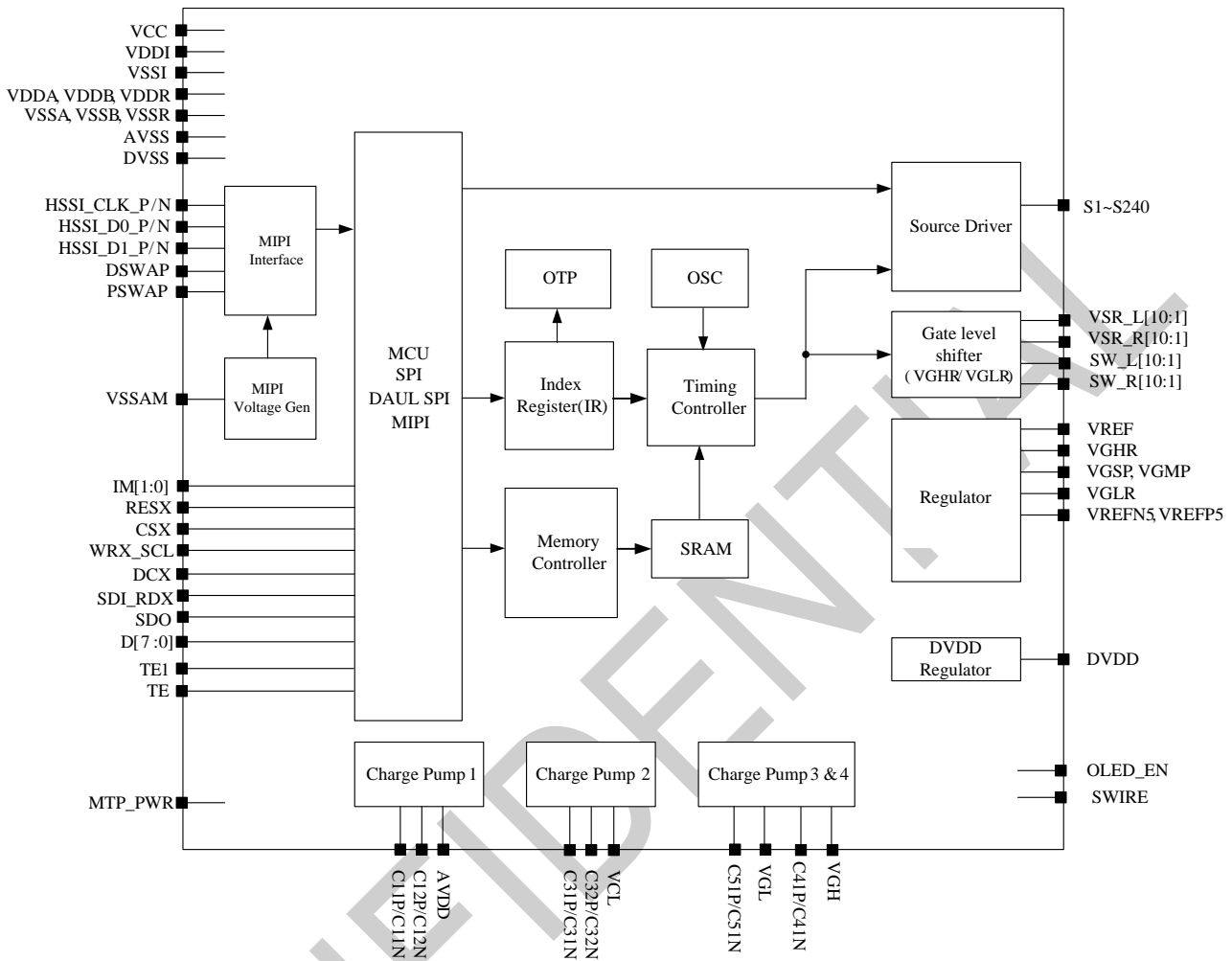
## ■ Chip size evaluation : 8300um x 2360um(including scribe line)

CONFIDENTIAL

## ■ Power Supply Specifications

No.	Item	Description	
1	Source Driver	240 pins (480 x RGB)	
2	gate control timing Level shift	VGHR-VGLR	
5	Input Voltage	VDDI	1.65 ~ 3.3V
		VCC	Connect to VDDI or VDD(VCI)
		VDD (VDDA/VDDDB/VDDR)	2.70 ~ 3.60V
6	OLED drive voltages	AVDD	4.5V ~ 6.5V
		VGHR	3V ~ 10.5V
		VGLR	-2V ~ -15V
		VREFP5	0V ~ 5V
		VREFN5	-0.5V ~ -5V
7	Internal step-up circuits	AVDD	VCI x2.0(dual), x3.0(single)
		VCL	VCI x -1.0(dual), x-2.0(single)
		VGH	VCI x2, x3, x4
		VGL	VCI x-2, x-3, x-4

### 3. Block Diagram



#### Interface

The RM67162 supports MIPI DSI interface. MIPI DSI can access both internal command and display data.

#### Grayscale Voltage Generating Circuit

Grayscale voltage generating circuit generates a drive voltage, which corresponds to grayscale level set in the  $\gamma$  correction register. The RM67162 displays 16.7M colors at the maximum.

#### Power Supply Circuit

The power supply circuit generates supply voltages to OLED panel, VGH, VGL.

#### Timing Generating

The timing controller generates timing signals for internal circuits such as the display timing.

#### Oscillator

The RM67162 incorporates RC oscillator circuit. The frame frequency is changeable by command settings.

#### Panel Driver Circuit

The OLED display driver circuit consists of 240 source drivers (S1~S240). The gate signal consists of VSR\_R/L[1:10], SW\_R/L[1:10] and outputs either VGHR or VGLR level.

## 4. Pin Description

### 4.1 Power Supply Pins

Signal	I/O	Function
Vddb	P	Power supply for DC/DC converter Vddb, Vdda and VDDR should be the same input voltage level
Vdda	P	Power supply for analog system Vddb, Vdda and VDDR should be the same input voltage level
VDDR	P	Power supply for regulator system Vddb, Vdda and VDDR should be the same input voltage level
VDDI	P	Power supply for interface system except MIPI interface
VCC	P	Power supply for DVDD regulator
VSSB	P	System ground for DC/DC converter
VSSA	P	System ground for analog system
VSSR	P	System ground for regulator system
VSSAM	P	System ground for internal MIPI analog system
VSSI	P	System ground for interface system except MIPI interface
DVSS	P	System ground for internal digital system
AVSS	P	System ground for source OP system.
MTP_PWR	P	MTP programming power supply pin (7.5V typical) Must be left open or connected to DVSS in normal condition.

## 4.2 Interface Pins

Signal	I/O	Function
CSX	I	Chip select input pin ("Low" enable) in 80-series MPU I/F and SPI I/F. If not used, please connect to VSSI.
WRX_SCL	I	WRX : Writes strobe signal to write data when WRX is "Low" in 80-series MPU I/F. SCL: A synchronous clock signal in SPI I/F. If not used, please connect to VSSI.
D/CX	I	Display data / command selection in 80-series MPU I/F and 4-wire SPI I/F. D/CX = "0" : Command D/CX = "1" : Display data or Parameter If not used, please connect to VSSI.
SDI_RDX	I/O	SDI: Serial input signal in SPI I/F. The data is input on the rising edge of the SCL signal. RDX : Reads strobe signal to write data when RDX is "Low" in 80-series MPU interface. If not used, please leave it Open.
SDO	O	Serial output signal in SPI I/F. The data is output on the rising/falling edge of the SCL signal. If the host places the SDI line into high-impedance state during the read interval, the SDI and SDO can be tied together. If not used, please open this pin.
D[7:0]	I/O	8-bit bi-directional data bus for 80-series MPU I/F and 8-bit input data bus for RGB I/F. These pins are not used for SPI, MIPI, please leave it Open.

CONFIDENTIAL

### 4.3 MIPI Interface Pins

Signal	I/O	Function																																			
HSSI_CLK_P HSSI_CLK_N	I	-These pins are DSI-CLK+/- differential clock signals if MIPI interface is used. -If not used, please connect these pins to VSSAM.																																			
HSSI_D0_P HSSI_D0_N	I/O	-These pins are DSI-D0+/- differential data signals if MIPI interface is used. -If not used, please connect these pins to VSSAM.																																			
HSSI_D1_P HSSI_D1_N	I/O	-These pins are DSI-D1+/- differential data signals if MIPI interface is used. -If not used, please connect these pins to VSSAM.																																			
DSWAP PSWAP	I	Input pin to select HSSI_D0/D1 data lane sequence and polarity in high speed interface only.																																			
		<table border="1"> <thead> <tr> <th>Pin Name</th> <th>HSSI_D0_P</th> <th>HSSI_D0_N</th> <th>HSSI_CLK_P</th> <th>HSSI_CLK_N</th> <th>HSSI_D1_P</th> <th>HSSI_D1_N</th> </tr> </thead> <tbody> <tr> <td>DSWAP=0 PSWAP=0</td> <td>DSI D0+</td> <td>DSI D0-</td> <td>DSI CLK+</td> <td>DSI CLK-</td> <td>DSI D1+</td> <td>DSI D1-</td> </tr> <tr> <td>DSWAP=0 PSWAP=1</td> <td>DSI D0-</td> <td>DSI D0+</td> <td>DSI CLK-</td> <td>DSI CLK+</td> <td>DSI D1-</td> <td>DSI D1+</td> </tr> <tr> <td>DSWAP=1 PSWAP=0</td> <td>DSI D1+</td> <td>DSI D1-</td> <td>DSI CLK+</td> <td>DSI CLK-</td> <td>DSI D0+</td> <td>DSI D0-</td> </tr> <tr> <td>DSWAP=1 PSWAP=1</td> <td>DSI D1-</td> <td>DSI D1+</td> <td>DSI CLK-</td> <td>DSI CLK+</td> <td>DSI D0-</td> <td>DSI D0+</td> </tr> </tbody> </table>	Pin Name	HSSI_D0_P	HSSI_D0_N	HSSI_CLK_P	HSSI_CLK_N	HSSI_D1_P	HSSI_D1_N	DSWAP=0 PSWAP=0	DSI D0+	DSI D0-	DSI CLK+	DSI CLK-	DSI D1+	DSI D1-	DSWAP=0 PSWAP=1	DSI D0-	DSI D0+	DSI CLK-	DSI CLK+	DSI D1-	DSI D1+	DSWAP=1 PSWAP=0	DSI D1+	DSI D1-	DSI CLK+	DSI CLK-	DSI D0+	DSI D0-	DSWAP=1 PSWAP=1	DSI D1-	DSI D1+	DSI CLK-	DSI CLK+	DSI D0-	DSI D0+
		Pin Name	HSSI_D0_P	HSSI_D0_N	HSSI_CLK_P	HSSI_CLK_N	HSSI_D1_P	HSSI_D1_N																													
		DSWAP=0 PSWAP=0	DSI D0+	DSI D0-	DSI CLK+	DSI CLK-	DSI D1+	DSI D1-																													
		DSWAP=0 PSWAP=1	DSI D0-	DSI D0+	DSI CLK-	DSI CLK+	DSI D1-	DSI D1+																													
DSWAP=1 PSWAP=0	DSI D1+	DSI D1-	DSI CLK+	DSI CLK-	DSI D0+	DSI D0-																															
DSWAP=1 PSWAP=1	DSI D1-	DSI D1+	DSI CLK-	DSI CLK+	DSI D0-	DSI D0+																															
If not used, please connect to VSSI.																																					

**NOTE:** "1" = VDDI level, "0" = VSSI level.

## 4.4 Interface Logic Pins

Signal	I/O	Function															
RESX	I	This signal will reset the device and must be applied to properly initialize the chip. Signal is active low.															
IM[1:0]	I	<p>Interface type selection. The connections of IM[1:0] which not shown in table are invalid.</p> <table border="1"> <thead> <tr> <th>IM[1:0]</th> <th>Display Data</th> <th>Command</th> </tr> </thead> <tbody> <tr> <td>00</td> <td>MIPI / 3-wire SPI</td> <td>MIPI / 3-wire SPI</td> </tr> <tr> <td>01</td> <td>MIPI / 4-wire SPI</td> <td>MIPI / 4-wire SPI</td> </tr> <tr> <td>10</td> <td>MIPI / Quad-SPI</td> <td>MIPI / Quad -SPI</td> </tr> <tr> <td>11</td> <td>MCU 8-bit</td> <td>MCU 8-bit</td> </tr> </tbody> </table>	IM[1:0]	Display Data	Command	00	MIPI / 3-wire SPI	MIPI / 3-wire SPI	01	MIPI / 4-wire SPI	MIPI / 4-wire SPI	10	MIPI / Quad-SPI	MIPI / Quad -SPI	11	MCU 8-bit	MCU 8-bit
IM[1:0]	Display Data	Command															
00	MIPI / 3-wire SPI	MIPI / 3-wire SPI															
01	MIPI / 4-wire SPI	MIPI / 4-wire SPI															
10	MIPI / Quad-SPI	MIPI / Quad -SPI															
11	MCU 8-bit	MCU 8-bit															
BSTM	I	<p>Boost mode selection pin.</p> <table border="1"> <thead> <tr> <th>BSTM</th> <th>Mode</th> </tr> </thead> <tbody> <tr> <td>0</td> <td>2 PWR(VDDI, VCI) AVDD --&gt; internal CP VCL --&gt; internal CP</td> </tr> <tr> <td>1</td> <td>Reserved</td> </tr> </tbody> </table>	BSTM	Mode	0	2 PWR(VDDI, VCI) AVDD --> internal CP VCL --> internal CP	1	Reserved									
BSTM	Mode																
0	2 PWR(VDDI, VCI) AVDD --> internal CP VCL --> internal CP																
1	Reserved																
TE	O	Tearing effect output pin to synchronize MCU to frame writing, activated by S/W command. When this pin is not activated, this pin is output low.															
TE1	O																
SWIRE	O	Swire protocol setting pin of Power IC, If not used, please open this pin.															
OLED_EN	O	Power IC enable control pin, If not used, please open this pin.															

**NOTE:** "1" = VDDI level, "0" = VSSI level.

#### 4.5 Driver Output Pins (Pins for Panel)

Signal	I/O	Function
S1 ~ S240	O	Pixel electrode driving output.
SDMY	O	Dummy Source, leave it Open.
VSR_L[10:1] VSR_R[10:1]	O	VSR control signals, Level shift output, (VGHR-VGLR)
SW_L[10:1] SW_R[10:1]	O	VSR control signals, Level shift output, (VGHR-VGLR)

CONFIDENTIAL

## 4.6 DC/DC Convert Pins

Signal	I/O	Function
AVDD (DDVDH)	O	Output voltage from step-up circuit 1, generated from VDDB. Connect a capacitor for stabilization.
VCL	O	Output voltage from step-up circuit 3, generated from VDDB. Connect a capacitor for stabilization.
VGH	O	Output voltage from step-up circuit 4. Connect a capacitor for stabilization.
VGL	O	Output voltage from step-up circuit 5. Connect a capacitor for stabilization.
C11P, C11N C12P, C12N	IO	Capacitor connection pins for the step-up circuit which generate AVDD. Connect capacitor as requirement. When not in used, please open these pins.
C31P, C31N C32P, C32N	IO	Capacitor connection pins for the step-up circuit which generate VCL. Connect capacitor as requirement.
C41P, C41N	IO	Capacitor connection pins for the step-up circuit which generate VGH. Connect capacitor as requirement.
C51P, C51N	IO	Capacitor connection pins for the step-up circuit which generate VGL. Connect capacitor as requirement.
VGHR	O	Output voltage generated from VGH. LDO output used for panel voltage. Connect a capacitor for stabilization. When not in use, please open this pin.
VGLR	O	Output voltage generated from VGL. LDO output used for panel voltage. Connect a capacitor for stabilization. When not in use, please open this pin.
VGMP	O	Output voltage generated from AVDD. LDO output for positive gamma high voltage generator.
VGSP	O	Output voltage generated from AVDD. LDO output for positive gamma low voltage generator.
VREF	O	Regulator output for internal reference voltage. Connect capacitor for stabilization.
DVDD	O	Regulator output for logic system power. Connect a capacitor for stabilization.
VREFP5	O	Regulator output for VREFP(0~5V)
VREFN5	O	Regulator output for VREFN(-0.5~-5V)

## 4.7 Test Pins

Signal	I/O	Function
ANALOG_TEST 1~2	O	Test pin, not accessible to user. Must be left open.
TEST1~3	IO	Test pin, not accessible to user. Must be left open.
TESTEN	I	Test pin, not accessible to user. Must be left open., Internal pull low
EXTCLK	I	Test pin, not accessible to user. Must be left open.
DUMMY	I	Dummy PAD, leave it open

CONFIDENTIAL

## 5. Function Description

### 5.1 Interface Type Selection

Interface type selection. The connections of IM[1:0] which not shown in table are invalid.

IM[1:0]	Display Data	Command
00	MIPI / 3-wire SPI	MIPI / 3-wire SPI
01	MIPI / 4-wire SPI	MIPI / 4-wire SPI
10	MIPI / Quad -SPI	MIPI / Quad -SPI
11	MCU 8-bit	MCU 8-bit

CONFIDENTIAL

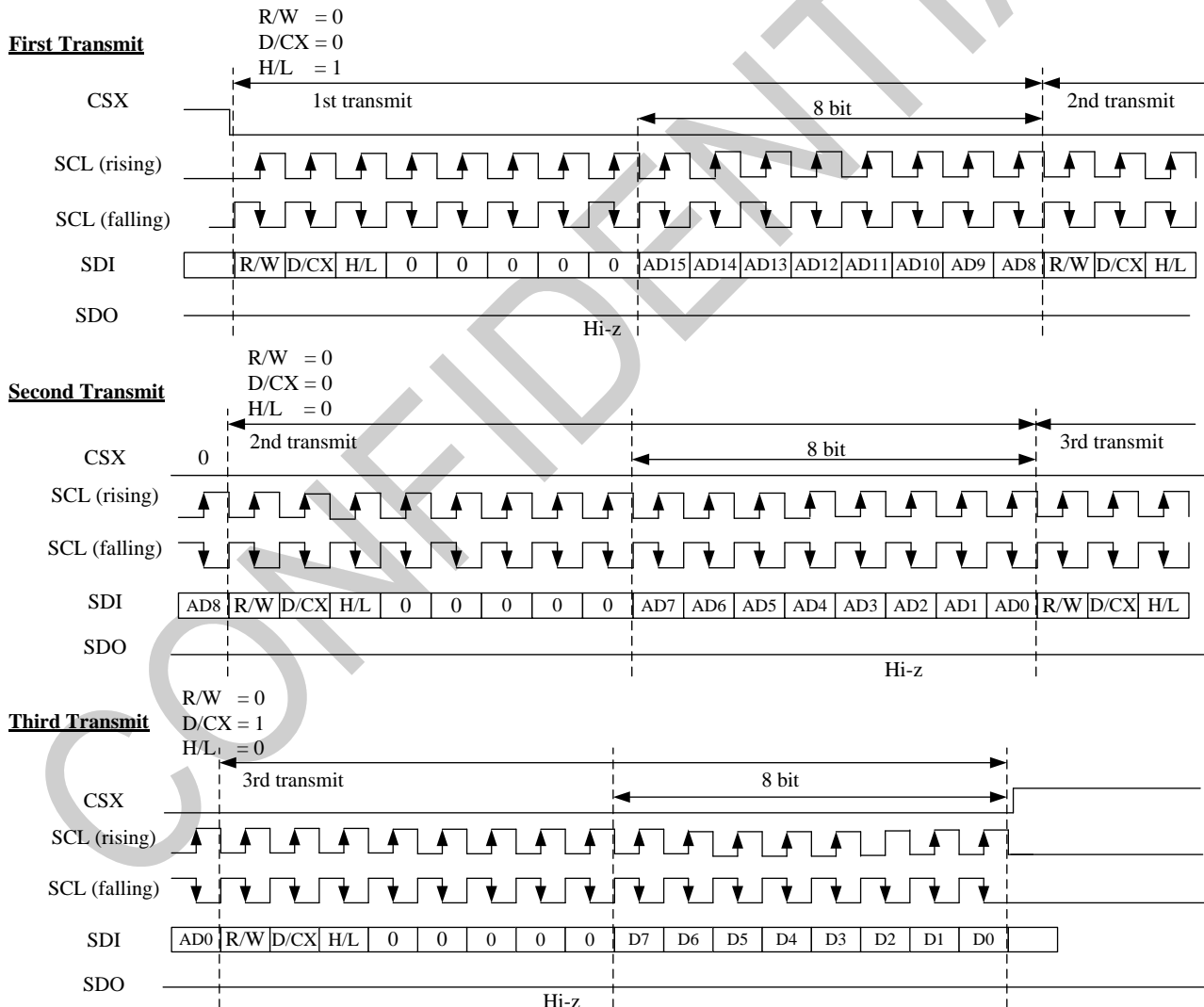
## 5.2 16-Bit Serial Interface

### 5.2.1 Write Cycle and Sequence

During a write cycle the host processor sends a single bit of data to the display module via the interface. The 16-Bit SPI interface utilizes CSX, SCL and SDI and SDO signals. SCL is driven from high to low then pulled back to high during the write cycle. The host processor provides information during the write cycle while the display module reads the host processor information on the rising edge of SCL.

During the write sequence the host processor writes one or more bytes of information to the display module via the interface. The write sequence is initiated when CSX is driven from high to low and ends when CSX is pulled high. Each byte is either nine or sixteen write cycles in length. If the optional DCX signal is used a byte is eight write cycles long. DCX is driven low while command information is on the interface and is pulled high when data is present.

The 16-Bit SPI interface write command sequences are described in the following figure.

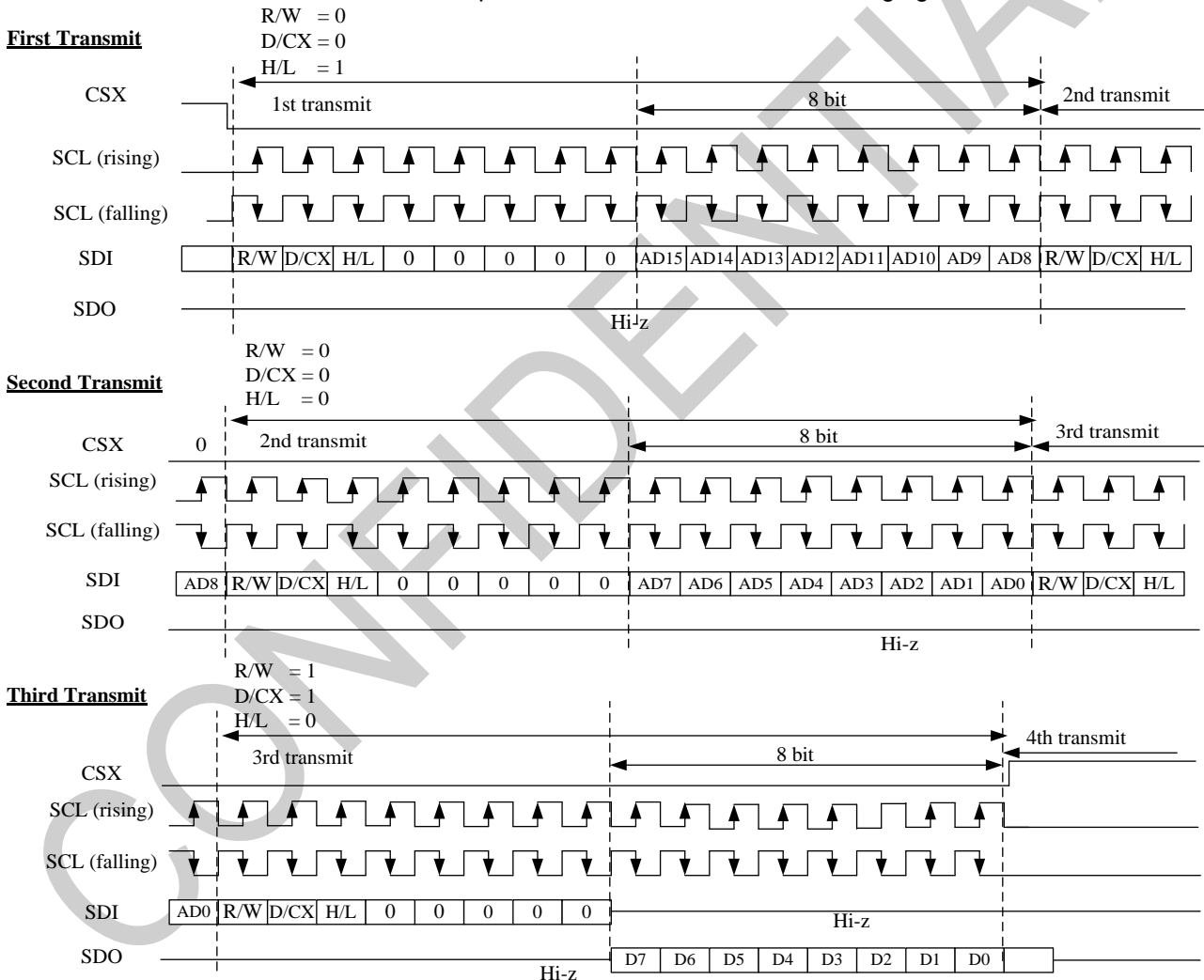


## 5.2.2 Read Cycle and Sequence

During a read cycle the host processor reads a single bit of data from the display module via the interface. The 16-Bit SPI interface utilizes CSX, SCL and DIN signals. SCL is driven from high to low then pulled back to high during the read cycle. The display module provides information during the read cycle while the host processor reads the display module information on the rising edge of SCL.

During the read sequence the host processor reads one or more bytes of information from the display module via the interface. The read sequence is initiated when CSX is driven from high to low and ends when CSX is pulled high. Each byte is either nine or sixteen write cycles in length. If the optional DCX signal is used a byte is eight read cycles long. DCX is driven low while command information is on the interface and is pulled high when data is present.

The 16-Bit SPI interface read command sequences are described in the following figure.



## 5.3 3-wire/4-wire SPI Interface

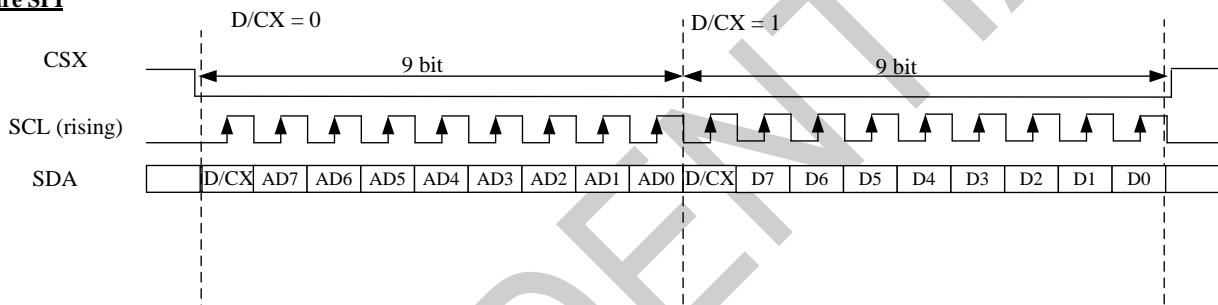
### 5.3.1 Write Cycle and Sequence

During a write cycle the host processor sends a single bit of data to the display module via the interface. The 3-wire/4-wire SPI interface utilizes CSX, SCL and SDA signals. SCL is driven from high to low then pulled back to high during the write cycle. The host processor provides information during the write cycle while the display module reads the host processor information on the rising edge of SCL.

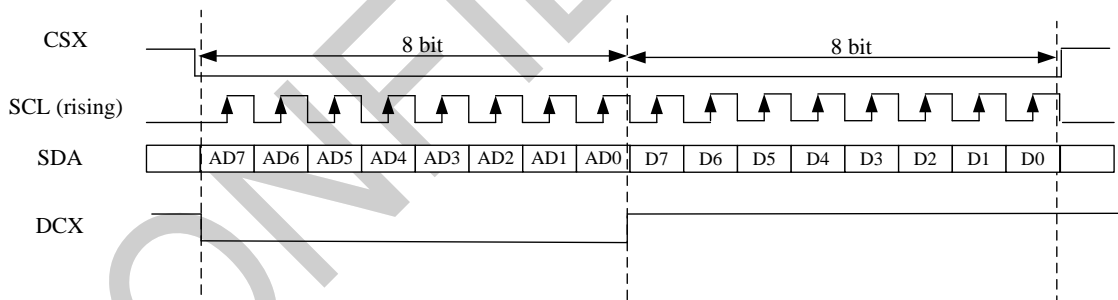
During the write sequence the host processor writes one or more bytes of information to the display module via the interface. The write sequence is initiated when CSX is driven from high to low and ends when CSX is pulled high. The 3-wire serial data contains DCX bit and a transmission byte. DCX bit is driven low while command information is on the interface and is pulled high when data is present.

The 3-wire/4-wire SPI interface write command sequences are described in the following figure.

#### 3-wire SPI



#### 4-wire SPI



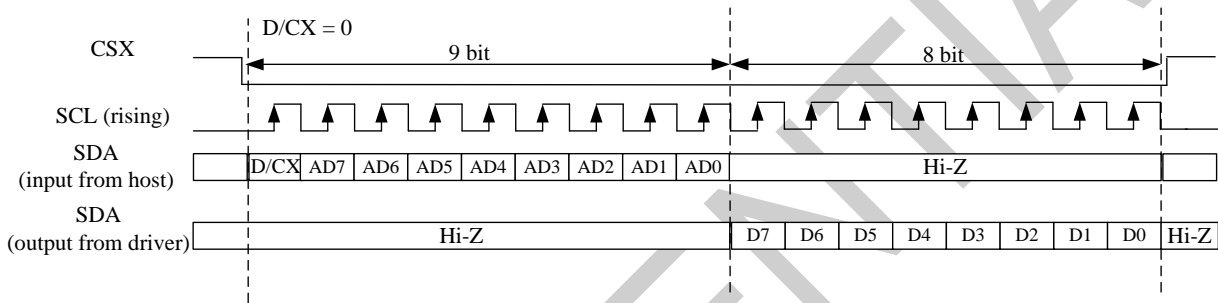
## 5.3.2 Read Cycle and Sequence

During a read cycle the host processor reads a single bit of data from the display module via the interface. The 3-wire/4-wire SPI interface utilizes CSX, SCL and SDA signals. SCL is driven from high to low then pulled back to high during the read cycle. The display module provides information during the read cycle while the host processor reads the display module information on the rising edge of SCL.

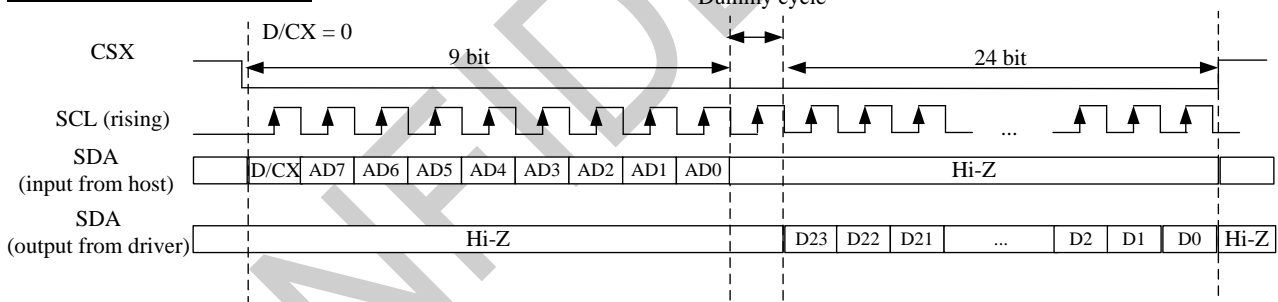
During the read sequence the host processor reads one or more bytes of information from the display module via the interface. The read sequence is initiated when CSX is driven from high to low and ends when CSX is pulled high. The 3-wire serial data contains DCX bit and a transmission byte. DCX is driven low while command information is on the interface and is pulled high when data is present.

The 3-wire/4-wire SPI interface read command sequences are described in the following figure.

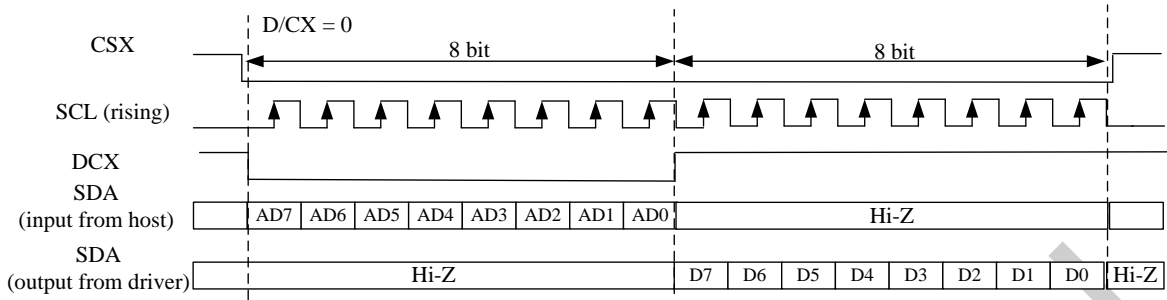
### 3-wire SPI (0Ah/0B/0Ch/0Dh/0Eh/0Fh/DAh/DBh/DCh) for 8 bit read



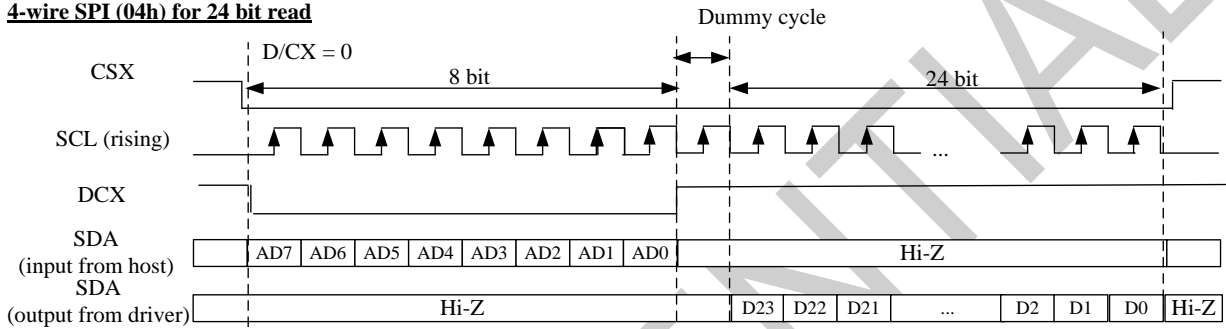
### 3-wire SPI (04h) for 24 bit read



**4-wire SPI (0Ah/0B/0Ch/0Dh/0Eh/0Fh/DAh/DBh/DCh) for 8 bit read**



**4-wire SPI (04h) for 24 bit read**



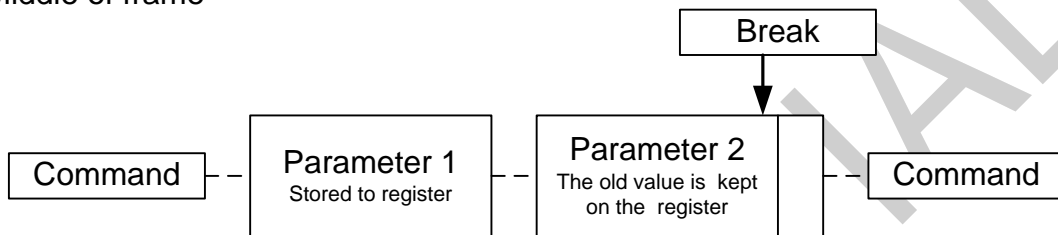
CONFIDENTIAL

### 5.3.3 Break and Pause Sequence

The host processor can break a read or write sequence by pulling the CSX signal high during a command or data byte. The display module shall reset its interface so it will be ready to receive the same byte when CSX is again driven low.

The host processor can pause a read or write sequence by pulling the CSX signal high between command or data bytes. The display module shall wait for the host processor to drive CSX low before continuing the read or write sequence at the point where the sequence was paused.

#### 1. Middle of frame

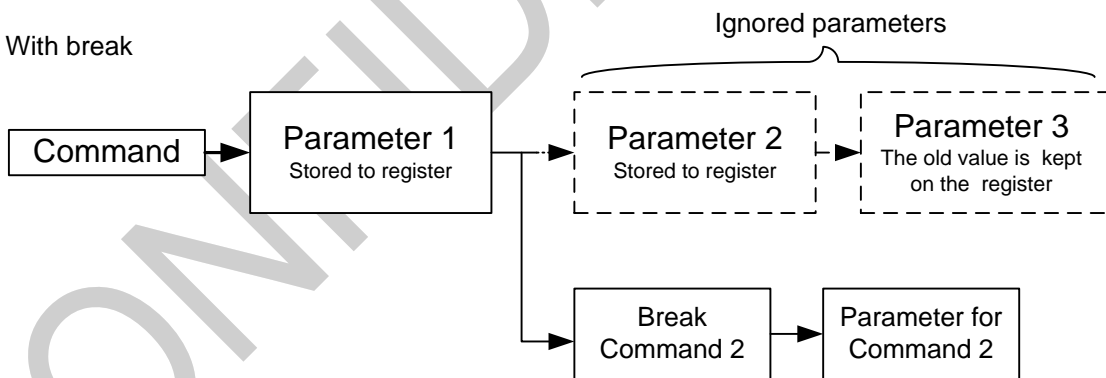


#### 2. Between frames

Without break



With break



Break can be e.g. another command or noise pulse.

## 5.4 Display Serial Interface (DSI)

DSI-compliant peripherals support either of two basic modes of operation: Command Mode and Video Mode. The mode definitions reflect the primary intended use of DSI for display interconnect, but are not intended to restrict DSI from operating in other applications.

RM67162 is capable of both Command Mode operation and Video Mode operation. Command Mode refers to operation in which transactions primarily take the form of sending commands and data to a display module that incorporates a display controller. The display controller may include local registers and a frame buffer. Systems using Command Mode write to, and read from, the registers and frame buffer memory. The host processor indirectly controls activity at the peripheral by sending commands, parameters and data to the display controller.

The host processor can also read display module status information or the contents of the frame memory. Command Mode operation requires a bidirectional interface. Video Mode refers to operation in which transfers from the host processor to the peripheral take the form of a real-time pixel stream. In normal operation, the display module relies on the host processor to provide image data at sufficient bandwidth to avoid flicker or other visible artifacts in the displayed image. Video information should only be transmitted using High Speed Mode.

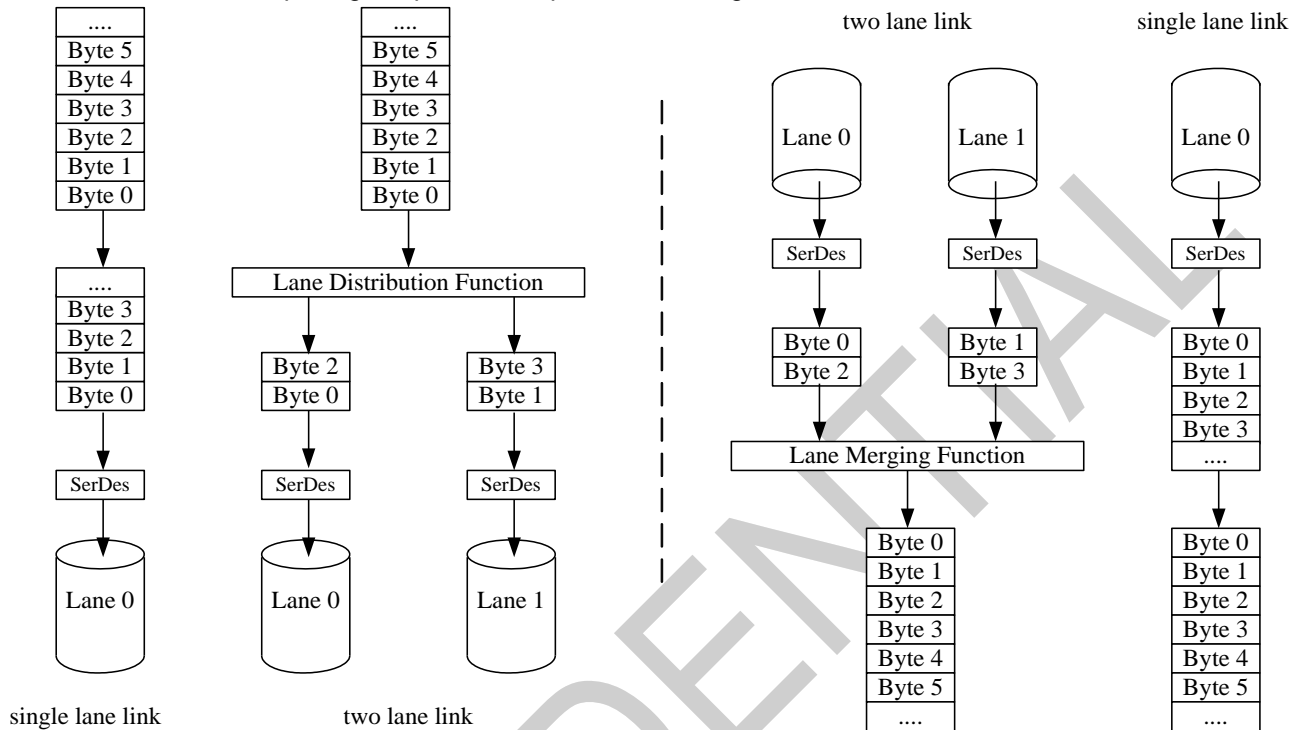
RM67162 Video Mode architectures also include a simple timing controller and partial frame buffer, used to maintain a partial-screen or lower-resolution image in standby or Low Power Mode. This permits the interface to reduce power consumption.

RM67162 Configuration:

Lane Pair	MCU(Master) RM67162(Slave)
Clock Lane	Unidirectional Lane Clock only
Data Lane 0	Bi-directional Lane Forward High-speed Bi-directional Escape Mode Bi-directional LPDT
Data Lane 1	Unidirectional Lane Forward High-Speed Escape Mode No LPDT

## 5.3.1 DSI Protocol

On the transmitter side of a DSI Link, parallel data, signal events, and commands are converted to packets. These packets are sent across the serial Link. The receiver side of a DSI Link performs the converse of the transmitter side, decomposing the packet into parallel data, signal events and commands.



There are two kinds of packets, **short packet and long packet**.

Short packet structure:

LP-11: low power mode

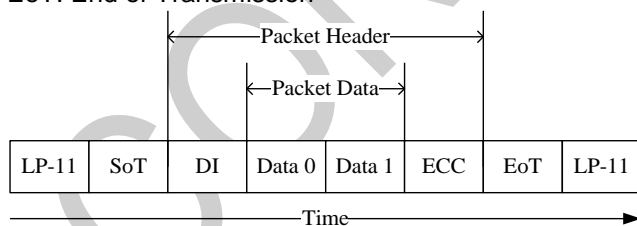
SoT: start of transmission

DI: data identification

Data 0, Data1: packet data

ECC: error correction code

EoT: End of Transmission



DI structure:

Virtual Channel: these two bits identify the data as directed to one of four virtual channels

Data Type: It specifies the packet structure and packet format

Virtual Channel (VC)		Data Type (DT)					
Bit 7	Bit 6	Bit 5	Bit 4	Bit 3	Bit 2	Bit 1	Bit 0

Long packet structure:

LP-11: low power mode

SoT: start of transmission

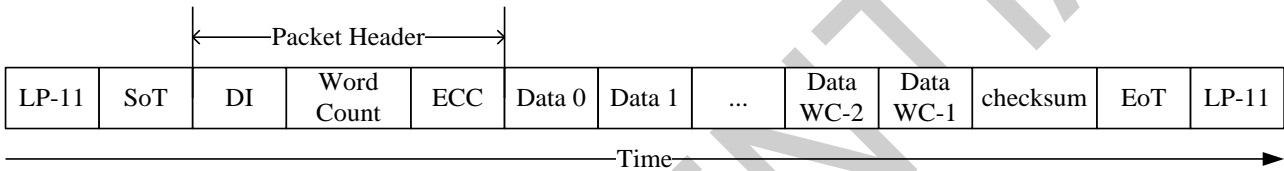
DI: data identification

Word Count: the number of data bytes of packet data

ECC: error correction code

Checksum: The 16-bit CRC generator to check packet data. If the calculated checksum of receiver are equal to the packet data, the packet data is correct. If the calculated checksum of receiver are not equal, the packet data are not correct.

EoT: end of transmission



## 5.3.2 Processor to Peripheral Transactions

## Processor to Peripheral Direction Packet Data Types

Data Type	Data Type binary	Description	Packet Size
01h	00 0001	Sync Event, V Sync Start	Short
11h	01 0001	Sync Event, V Sync End	Short
21h	10 0001	Sync Event, H Sync Start	Short
31h	11 0001	Sync Event, H Sync End	Short
08h	00 1000	End of Transmission packet (EoTp)	Short
02h	00 0010	Color Mode (CM) Off Command	Short
12h	01 0010	Color Mode (CM) On Command	Short
22h	10 0010	reserved	Short
32h	11 0010	reserved	Short
03h	00 0011	reserved	Short
13h	01 0011	Generic Short WRITE, 1 parameter	Short
23h	10 0011	Generic Short WRITE, 2 parameters	Short
04h	00 0100	reserved	Short
14h	01 0100	Generic READ, 1 parameter	Short
24h	10 0100	Generic READ, 2 parameters	Short
05h	00 0101	DCS Short WRITE, no parameters	Short
15h	01 0101	DCS Short WRITE, 1 parameter	Short
06h	00 0110	DCS READ, no parameters	Short
37h	11 0111	Set Maximum Return Packet Size	Short
09h	00 1001	Null Packet, no data	Long
19h	01 1001	Blanking Packet, no data	Long
29h	10 1001	Generic Long Write	Long
39h	11 1001	DCS Long Write/write_LUT Command Packet	Long
0Eh	00 1110	Packed Pixel Stream, 16-bit RGB, 5-6-5 Format	Long
1Eh	01 1110	Packed Pixel Stream, 18-bit RGB, 6-6-6 Format	Long
2Eh	10 1110	Loosely Packed Pixel Stream, 18-bit RGB, 6-6-6 Format	Long
3Eh	11 1110	Packed Pixel Stream, 24-bit RGB, 8-8-8 Format	Long

## Sync Event, Data Type = xx 0001

Sync Events are all short packets and time-accurately. They can perform like the start and end of sync pulses. To represent timing information as accurately as possible, a V Sync Start event represents the start of the VSA and also implies an H Sync Start event for the first line of the VSA. Hence, a V Sync End event implies an H Sync Start event for the last line of the VSA. Sync events may be concatenated with blanking packets to convey inter-line timing accurately and avoid the overhead of switching between LPS and HS for every event. Note there is a power penalty for keeping the data line in HS mode.

## EoT packet

This short packet is used to indicate the end of a high speed (HS) transmission. This packet will enhance overall system reliability. Although the main objective of the EoTp is to enhance robustness during HS transmission mode, RM67162 can detect and interpret arriving EoTps regardless of transmission mode (HS or LP modes)

## Color Mode Off / On Command

They are short packet commands to switch video display module between normal display mode and low-color mode for power saving.

## Generic short write / read packet

Generic Short WRITE command is a Short packet type for sending generic data to the peripheral. Generic READ request is a Short packet requesting data from the peripheral.

## DCS commands

### DCS short write command

DCS short write command is used to write a single data byte command to display module. If there is a valid parameter byte, data type bit 4 shall be set to 1. If there is no valid parameter byte, data type bit 4 shall be set to 0 and the parameter byte shall be 00h.

### DCS read commands

The commands are used to request data from s display module.

### DCS Long Write / write\_LUT command

The commands are used to send larger blocks of data to a display module.

### Maximum return packet size

This command specifies the maximum size of the payload in a long packet transmission from a display module to host processor.

## Null Packet

This is a mechanism for keeping the data lane(s) in high speed mode while sending dummy data.

## Blanking Packet

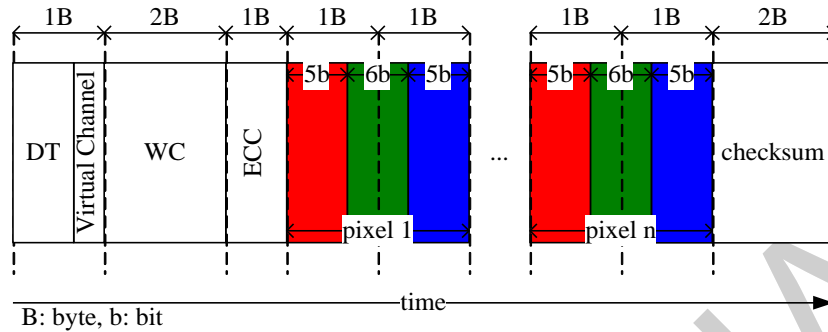
A Blanking packet is used to convey blanking timing information in a Long packet. The packet represents a period between active scan lines of a Video Mode display, where traditional display timing is provided from the host processor to the display module. The blanking period may have Sync Event packets interspersed between blanking segments. Blanking packets may contain arbitrary data as payload.

## Generic Long Write

This is used to transmit arbitrary blocks of data from a host processor to a peripheral.

Packed Pixel Stream, 16-bit Format, Data Type: 00 1110

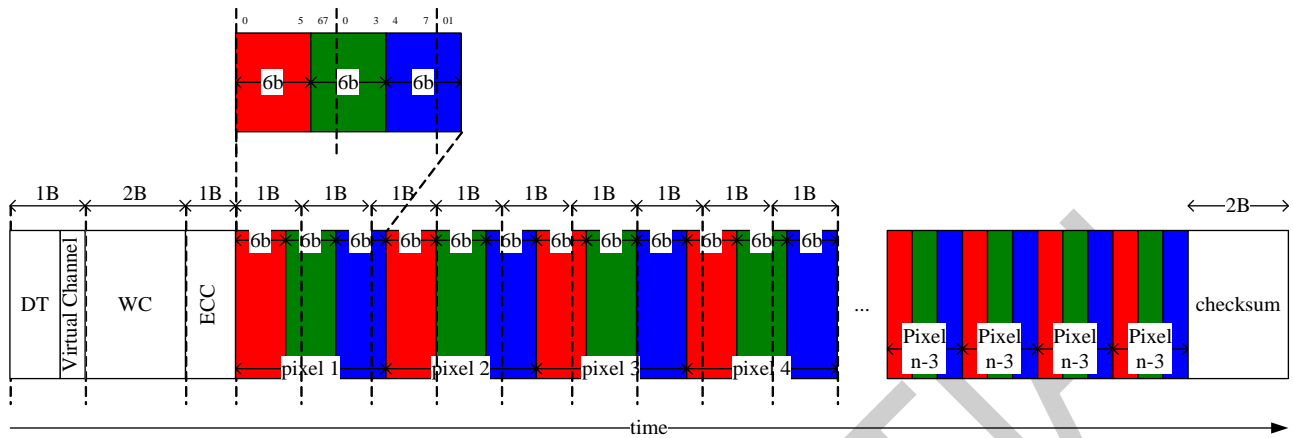
The pixel format is five bits red, six bits green and five bits blue. The green component is split across two bytes. Within a color component, the LSB is sent first, the MSB last.



CONFIDENTIAL

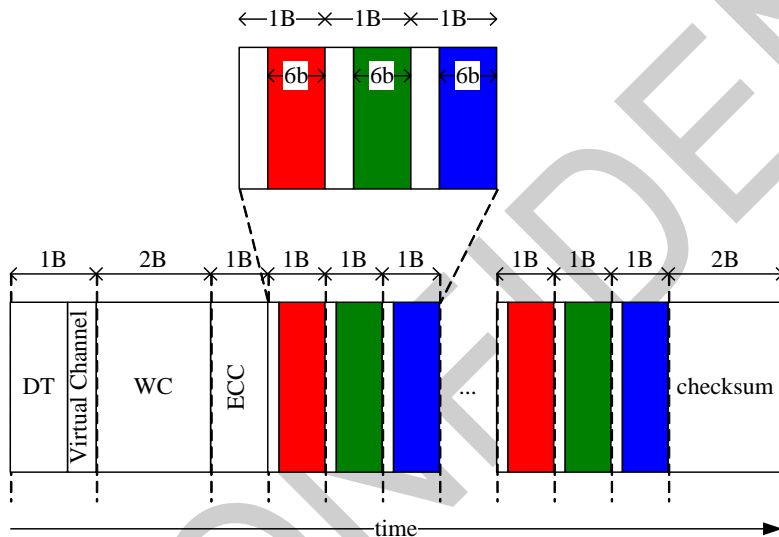
Packet pixel stream, 18-bit format, Data Type: 01 1110

The pixel format is six bits red, six bits green and six bits blue. Within a color component, the LSB is sent first, the MSB last.

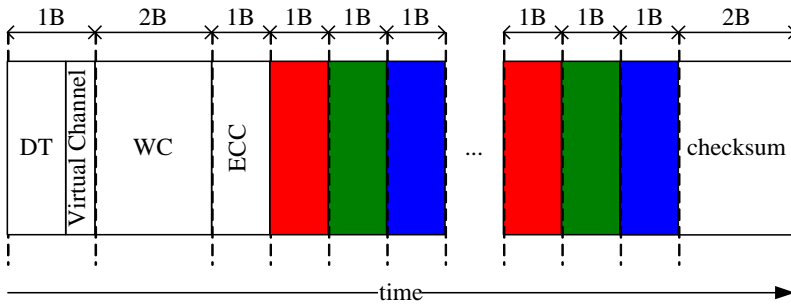


Packet pixel stream, 18-bit format in three bytes, Data Type: 10 1110

This is 18-bit pixel lossely packed format, each R, G or B color component is six bits but shifted to the upper bits of byte.



Packet pixel stream, 24-bit format, Data Type: 11 1110  
The pixel format is eight bits red, eight bits green and eight bits blue.



CONFIDENTIAL

### 5.3.3 Peripheral-to-Processor LP Transmission

All Command Mode systems require bidirectional capability for returning READ data, acknowledge, or error information to the host processor. Multi-Lane systems shall use Lane 0 for all peripheral-to-processor transmissions. Reverse-direction signaling shall only use low power mode transmission.

Packet structure for peripheral-to-processor transaction is the same as for the processor-to-peripheral direction. For the processor-to-peripheral direction, two basic packet formats are the same as the peripheral-to-processor direction: Short and Long packet structure. BTA shall take place after every peripheral-to-processor transaction. This returns bus control to the host processor following the completion of the LP transmission from the peripheral.

There are four basic types of peripheral-to-processor transactions.

**Tearing Effect:** It is a Trigger message sent to convey display timing information to the host processor.

**Acknowledge:** It is a Trigger Message sent when the current transmission, as well as all preceding transmissions since the last peripheral to host communication.

**Acknowledge and Error Report:** It is a Short packet sent if any errors were detected in preceding transmissions from the host processor.

**Response to Read Request:** It may be a Short or Long packet that returns data requested by the preceding READ command from the processor.

Interpretation of processor-to-peripheral transactions with BTA asserted, and the expected responses, are as follows:

Following a non-Read command: If no errors were detected, the peripheral shall respond with Acknowledge.

Following a Read request: The peripheral shall send the requested READ data if no errors were detected and stored since the last peripheral to host communication.

Following a Read request: If only a single-bit ECC error was detected and corrected, the peripheral shall send the requested READ data in a Long or Short packet and a 4-byte Acknowledge and Error Report packet in the same LP transmission.

Following a non-Read command: If only a single-bit ECC error was detected and corrected, the peripheral shall respond to BTA by sending a 4-byte Acknowledge and Error Report packet.

Following a Read request: If multi-bit ECC errors were detected and not corrected, the peripheral shall send a 4-byte Acknowledge and Error Report packet without sending Read data.

Following a non-Read command: If multi-bit ECC errors were detected and not corrected, the peripheral shall not execute the command, and shall send a 4-byte Acknowledge and Error Report packet.

Following any command: If SoT Error, SoT Sync Error, the VC of DSI or the ID of DSI Invalid or DSI protocol violation was detected, or the DSI command was not recognized, the peripheral shall send a 4-byte Acknowledge and Error Report response.

Following any command: If EoT Sync Error or LP Transmit Sync Error is detected, or a checksum error is detected in the payload, the peripheral shall send a 4-byte Acknowledge and Error Report packet.

### 5.3.4 Error Report Format

The following table shows the bit assignment for all error report.

Bit	Description
0	SoT Error
1	SoT Sync Error
2	EoT Sync Error
3	Escape Mode Entry Command Error
4	Low-Power Transmit Sync Error
5	HS Receive Timeout Error
6	False Control Error
7	Reserved
8	ECC Error, single-bit (detected and corrected)
9	ECC Error, multi-bit (detected, not corrected)
10	Checksum Error (Long packet only)
11	DSI Data Type Not Recognized
12	DSI VC ID Invalid
13	reserved
14	reserved
15	reserved

### 5.3.5 Peripheral-to-Processor Transaction – Detail Format Description

The following list is the complete set of peripheral-to-processor data types.

Data type, hex	Data type binary	Description	Packet size
02h	00 0010	Acknowledge and error report	short
08h	00 1000	reserved	short
11h	01 0001	GEN short read reponse, 1byte returned	short
12h	01 0010	GEN short read reponse, 2bytes returned	short
1Ah	01 1010	Generic long read reponse	long
1Ch	01 1100	DCS long read reponse	long
21h	10 0001	DCS short read reponse, 1byte returned	short
22h	10 0010	DCS short read reponse, 2bytes returned	short

**Acknowledge and error report:** It is sent with BTA asserted when a reportable error is detected in the preceding, or earlier, transmission from the host processor.

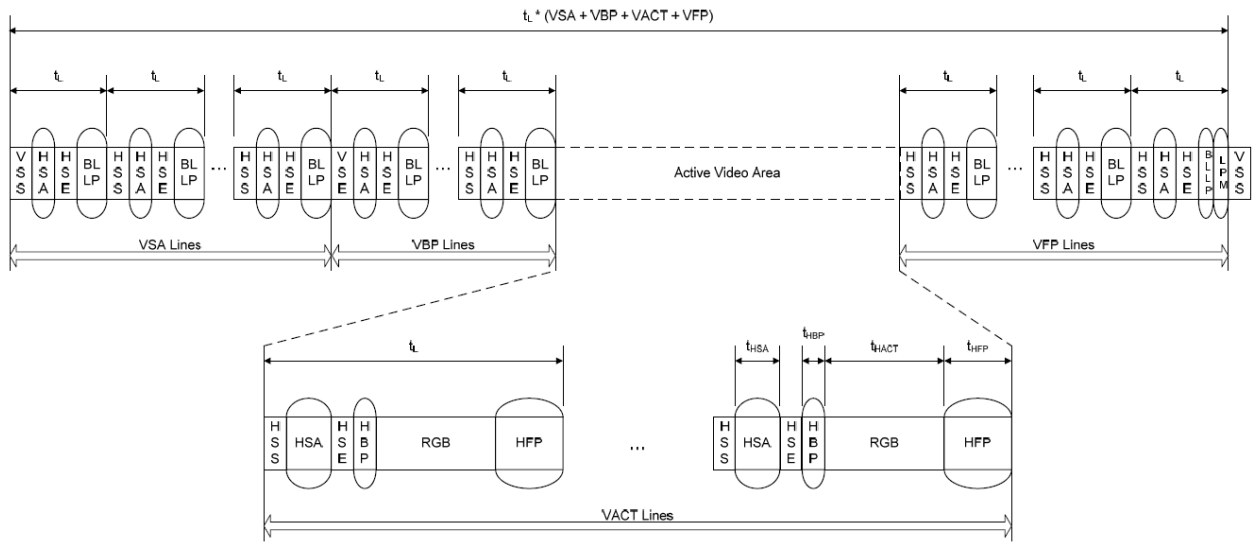
**Generic Short Read Response:** This is the short-packet response to Generic READ Request. Packet composition is the Data Identifier (DI) byte, two bytes of payload data and an ECC byte. If the command itself is possibly corrupt, due to an uncorrectable ECC error, SoT or SoT Sync error, the requested READ data packet shall not be sent and only the Acknowledge and Error Report packet shall be sent.

**Generic long read reponse:** This is the long-packet response to Generic READ Request. Packet composition is DI followed by a two-byte Word Count, an ECC byte, N bytes of payload, and a two-byte Checksum. If the command itself is possibly corrupt, due to an uncorrectable ECC error, SoT or SoT Sync error, the requested READ data packet shall not be sent and only the Acknowledge and Error Report packet shall be sent.

**DCS long read reponse:** This is a Long packet response to DCS Read Request. Packet composition is DI followed by a two-byte Word Count, an ECC byte, N bytes of payload, and a two-byte Checksum. If the DCS command itself is possibly corrupt, due to uncorrectable ECC error, SoT or SoT Sync error, the requested READ data packet shall not be sent and only the Acknowledge and Error Report packet shall be sent.

**DCS short read reponse:** This is the short-packet response to DCS Read Request. Packet composition is DI, two bytes of payload data and an ECC byte. If the command itself is possibly corrupt, due to an uncorrectable ECC error, SoT or SoT Sync error, the requested READ data packet shall not be sent and only the Acknowledge and Error Report packet shall be sent.

## 5.3.6 DSI Video Mode Interface Timing



CONFIDENTIAL

### 5.3.7 Error Correction Code (ECC)

ECC shall always be generated and appended in the Packet Header from the host processor. Peripherals with Bidirectional Links shall also generate and send ECC.

The number of parity or error check bits required is given by the Hamming rule, which uses parity to correct a single-bit error or detect a two-bit error, but are not capable of doing both simultaneously. DSI uses Hamming-modified codes where an extra parity bit is used to support both single error correction as well as two-bit error detection.

Since Packet Headers are fixed at four bytes (twenty-four data bits and eight ECC bits), P6 and P7 of the ECC byte are unused and shall be set to zero by the transmitter. The receiver shall ignore P6 and P7 and set both bits to zero before processing ECC.

The parity bits of ECC are defined as below:

$$P7 = 0$$

$$P6 = 0$$

$$P5 = D10 \wedge D11 \wedge D12 \wedge D13 \wedge D14 \wedge D15 \wedge D16 \wedge D17 \wedge D18 \wedge D19 \wedge D21 \wedge D22 \wedge D23$$

$$P4 = D4 \wedge D5 \wedge D6 \wedge D7 \wedge D8 \wedge D9 \wedge D16 \wedge D17 \wedge D18 \wedge D19 \wedge D20 \wedge D22 \wedge D23$$

$$P3 = D1 \wedge D2 \wedge D3 \wedge D7 \wedge D8 \wedge D9 \wedge D13 \wedge D14 \wedge D15 \wedge D19 \wedge D20 \wedge D21 \wedge D23$$

$$P2 = D0 \wedge D2 \wedge D3 \wedge D5 \wedge D6 \wedge D9 \wedge D11 \wedge D12 \wedge D15 \wedge D18 \wedge D20 \wedge D21 \wedge D22$$

$$P1 = D0 \wedge D1 \wedge D3 \wedge D4 \wedge D6 \wedge D8 \wedge D10 \wedge D12 \wedge D14 \wedge D17 \wedge D20 \wedge D21 \wedge D22 \wedge D23$$

$$P0 = D0 \wedge D1 \wedge D2 \wedge D4 \wedge D5 \wedge D7 \wedge D10 \wedge D11 \wedge D13 \wedge D16 \wedge D20 \wedge D21 \wedge D22 \wedge D23$$

The table below shows a compact way to specify the encoding of parity and decoding of syndromes.

ECC Parity Generation Rules:

Data Bit	P7	P6	P5	P4	P3	P2	P1	P0	Hex
0	0	0	0	0	0	1	1	1	0x07
1	0	0	0	0	1	0	1	1	0x0B
2	0	0	0	0	1	1	0	1	0x0D
3	0	0	0	0	1	1	1	0	0x0E
4	0	0	0	1	0	0	1	1	0x13
5	0	0	0	1	0	1	0	1	0x15
6	0	0	0	1	0	1	1	0	0x16
7	0	0	0	1	1	0	0	1	0x19
8	0	0	0	1	1	0	1	0	0x1A
9	0	0	0	1	1	1	0	0	0x1C
10	0	0	1	0	0	0	1	1	0x23
11	0	0	1	0	0	1	0	1	0x25
12	0	0	1	0	0	1	1	0	0x26
13	0	0	1	0	1	0	0	1	0x29
14	0	0	1	0	1	0	1	0	0x2A
15	0	0	1	0	1	1	0	0	0x2C
16	0	0	1	1	0	0	0	1	0x31
17	0	0	1	1	0	0	1	0	0x32
18	0	0	1	1	0	1	0	0	0x34
19	0	0	1	1	1	0	0	0	0x38
20	0	0	0	1	1	1	1	1	0x1F
21	0	0	1	0	1	1	1	1	0x2F
22	0	0	1	1	0	1	1	1	0x37
23	0	0	1	1	1	0	1	1	0x3B

### 5.3.8 Notice

1. We recommend users to stay in STOP state for 500ns when switching from LPDT to HSDT.
2. We recommend users to adopt EoTp to enhance overall robustness of the system during HSDT.

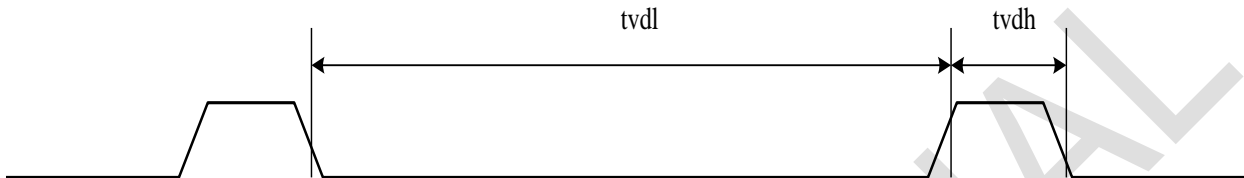
CONFIDENTIAL

## 5.5 Tearing Effect Output

The tearing effect output line supplies to the HOST a panel synchronization signal. This signal can be enabled or disabled by the `set_tear_off (34h)` and `set_tear_on (35h)` commands. The mode of the tearing effect signal is defined by the parameter of the `set_tear_on (35h)` and `set_tear_scanline(44h)` commands. The signal can be used by the HOST to synchronize internal VSYNC when displaying video images.

### 5.4.1 Tearing Effect Line Mode

Mode 1, the tearing effect output signal consist of V-sync information only:



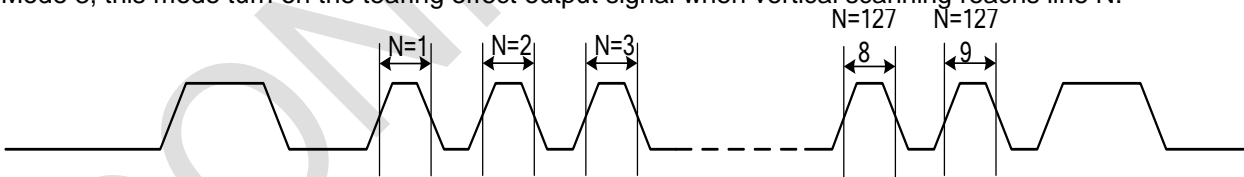
tvdh = The LCD display is not updated from the frame memory.  
tvdl = The LCD display is updated from the frame memory.

Mode 2, the tearing effect output signal consist of V-sync and H-sync information:

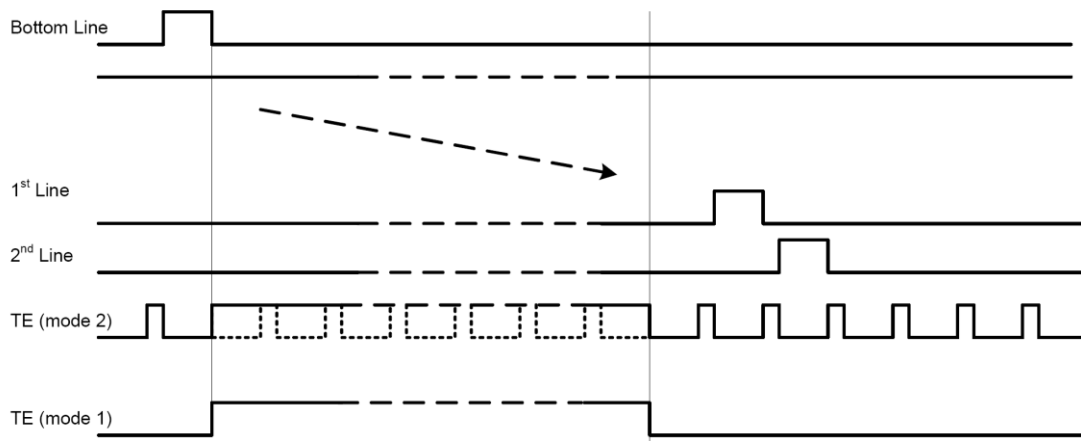


thdh = The LCD display is not updated from the frame memory.  
thdl = The LCD display is updated from the frame memory.

Mode 3, this mode turn on the tearing effect output signal when vertical scanning reaches line N.



N = The N-th scanning line which set by register N[15:0] of command STESL(44h).

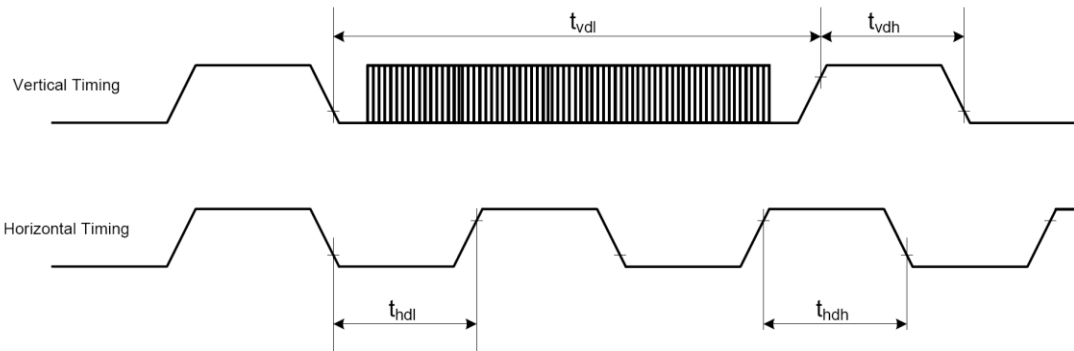


Note. During Sleep In mode, the tearing effect output signal is active low.

CONFIDENTIAL

## 5.4.2 Tearing Effect Line Timing

The tearing effect signal is described as below:

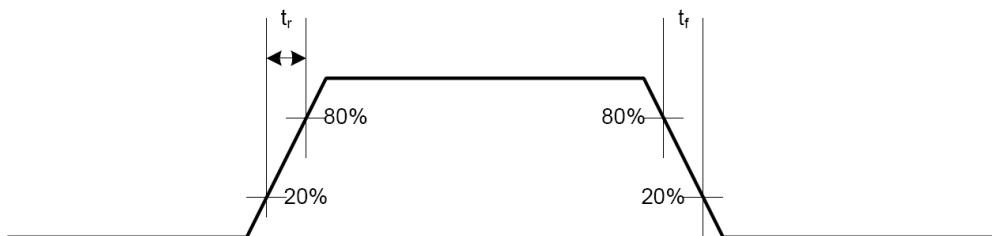


AC characteristics of Tearing Effect Signal (Frame Rate = 60.5Hz)

Symbol	Parameter	Typ.	Unit	Description
tvdl	Vertical timing low duration			1*frame time- tvdh
tvdh	Vertical timing high duration			tvdh =V Porch time if STS[15:0]=0. tvdh =31* line time if STS[15:0] not equal to 0.
thdl	Horizontal timing low duration			1* line time- 32*PCLK
thdh	Horizontal timing high duration	1.45	us	32*PCLK

Notes:

1. The timings apply when MADCTL B4=0 and B4=1
2. The signal's rise and fall times ( $t_f$ ,  $t_r$ ) are stipulated to be equal to or less than 15ns.



The Tearing Effect Output Line is fed back to the HOST and should be used as shown below to avoid tearing effect:

The Tearing Effect output line supplies to the HOST a panel synchronization signal. This signal can be enabled or disabled by the set\_tear\_off(34h), set\_tear\_on(35h) commands. The mode of the Tearing Effect Signal is defined by the Parameter of the Tearing Effect Line On command. The signal can be used by the HOST to synchronize internal VSYNC when displaying video images.

TEON (35h)	TELOM (35h, 1 <sup>st</sup> bit)	TE signal Output
0	*	GND
1	0	TE (Mode 1)
1	1	TE (Mode 2)

## 6. Command

### 6.1 Command List

Command			W/R	Function	D7	D6	D5	D4	D3	D2	D1	D0	Default (hex)	MTP
Page	Add.	Para.												
CMD1	00h	-	W	NOP	No Argument							-	-	
CMD1	01h	-	W	Software reset	No Argument							-	-	
CMD1	04h	1st	R	Read display identification information	ID1[7:0]							00h	-	
CMD1	04h	2nd			ID2[7:0]							80h	-	
CMD1	04h	3rd			ID3[7:0]							00h	-	
CMD1	05h	-	R	Read number of the errors on DSI	P[7:0]							00h	-	
CMD1	0Ah	1st	R	Read display power mode	BSTON	IDMON	PTLON	SLPOUT	NORON	DISPON	-	-	08h	-
CMD1	0Bh	1st	R	Read display MADCTR	MY	MX	MV	ML	RGB	-	RSMX	RSMY	00h	-
CMD1	0Ch	1st	R	Read display pixel format	-	1	1	1	-	IFPF2	IFPF1	IFPF0	77h	-
CMD1	0Dh	1st	R	Read display image mode	0	0	INVON	ALLPON	ALLPOFF	0	0	0	00h	-
CMD1	0Eh	1st	R	Read display signal mode	TEON	M	0	0	0	0	0	ERR	00h	-
CMD1	0Fh	1st	R	Read display self-diagnostic result	0	0	0	0	0	0	0	checksum_comp	00h	-
CMD1	10h	-	W	Sleep-in	No Argument							-	-	
CMD1	11h	-	W	Sleep-out	No Argument							-	-	
CMD1	12h	-	W	Partial display mode on	No Argument							-	-	
CMD1	13h	-	W	Normal display mode on	No Argument							-	-	
CMD1	20h	-	W	Display inversion off	No Argument							-	-	
CMD1	21h	-	W	Display inversion on	No Argument							-	-	
CMD1	22h	-	W	All pixel off	No Argument							-	-	
CMD1	23h	-	W	All pixel on	No Argument							-	-	
CMD1	28h	-	W	Display off	No Argument							-	-	
CMD1	29h	-	W	Display on	No Argument							-	-	
CMD1	2Ah	1st	W	Set column start address	SC[9:8]							00h	-	
CMD1		2nd	W		SC[7:0]							00h	-	
CMD1		3rd	W		EC[9:8]							01h	-	
CMD1		4th	W		EC[7:0]							8Fh	-	
CMD1	2Bh	1st	W	Set row start address	SP[9:8]							00h	-	
CMD1		2nd	W		SP[7:0]							00h	-	
CMD1		3rd	W		EP[9:8]							01h	-	
CMD1		4th	W		EP[7:0]							8Fh	-	
CMD1	2Ch	-	W	Memory write	No Argument							-	-	
CMD1	2Eh	-	W	Memory read	No Argument							-	-	
CMD1	30h	1st	W	Partial area	SR[9:8]							00h	-	
CMD1		2nd	W		SR[7:0]							00h	-	
CMD1		3rd	W		ER[9:8]							01h	-	
CMD1		4th	W		ER[7:0]							8Fh	-	
CMD1	31h	1st	W	Vertical partial area	PSC[9:8]							00h	-	
CMD1		2nd	W		PSC[7:0]							00h	-	
CMD1		3rd	W		PEC[9:8]							01h	-	
CMD1		4th	W		PEC[7:0]							8Fh	-	
CMD1	34h	-	W	Tearing effect line off	No Argument							-	-	
CMD1	35h	-	W	Tearing effect line on	0	0	0	0	0	0	TE_M	TELOM	00h	-
CMD1	36h	-	W	Scan direction control	MADCTR[7:0]							00h	-	
CMD1	38h	-	W	Idle mode off	No Argument							-	-	
CMD1	39h	-	W	Enter idle mode	No Argument							-	-	
CMD1	3Ah	-	W	Interface Pixel Format	0	1	1	1	0	IFPF[2]	IFPF[1]	IFPF[0]	77h	-
CMD1	3Ch	-	W	Memory Continuous Write	No Argument							-	-	
CMD1	3Eh	-	W	Memory Continuous Read	No Argument							-	-	
CMD1	44h	1st	W	Set tear scan-line	STS[15:8]							00h	-	

CMD1		2nd	W		STS[7:0]								00h	-
CMD1	45h	1st	R	Get scan line	GTS[15:8]								00h	-
CMD1		2nd	R		GTS[7:0]								00h	-
CMD1	4Fh	-	W	Deep standby	0	0	0	0	0	0	0	DSTB	00h	-
CMD1	51h	-	W	Write display brightness	DBV[7:0]								FFh	-
CMD1	52h	-	R	Read display brightness	DBV[7:0]								FFh	-
CMD1	53h	-	W	Write CTRL display	0	0	BCTRL	0	DD	0	0	0	28h	-
CMD1	54h	-	R	Read CTRL display	0	0	BCTRL	0	DD	0	0	0	28h	-
CMD1	58h	-	W	Set color enhancement	0	0	0	0	0	SLR_EN	SLR_LEVE L1	SLR_LEVE L0	00h	-
CMD1	59h	-	R	Read color enhancement	0	0	0	0	0	SLR_EN	SLR_LEVE L1	SLR_LEVE L0	00h	-
CMD1	5Ah	-	W	Set color enhancement1	SLR_AMBI _IN7	SLR_AMBI _IN6	SLR_AMBI _IN5	SLR_AMBI _IN4-	SLR_AMBI _IN3	SLR_AMBI _IN2	SLR_AMBI _IN1	SLR_AMBI _IN0	00h	-
CMD1	5Bh	-	R	Read color enhancement1	SLR_AMBI _IN7	SLR_AMBI _IN6	SLR_AMBI _IN5	SLR_AMBI _IN4-	SLR_AMBI _IN3	SLR_AMBI _IN2	SLR_AMBI _IN1	SLR_AMBI _IN0	00h	-
CMD1	A1h	1st	R	Read DDB	SID[7:0]								D0h	-
CMD1		2nd	R		SID[15:8]								01h	-
CMD1		3rd	R		MID[7:0]								80h	-
CMD1		4th	R		MID[15:8]								90h	-
CMD1		5th	R		1	1	1	1	1	1	1	1	1	FFh
CMD1	A8h	1st	R	Read DDB Continuous	SID[7:0]								D0h	-
CMD1		2nd	R		SID[15:8]								01h	-
CMD1		3rd	R		MID[7:0]								80h	-
CMD1		4th	R		MID[15:8]								90h	-
CMD1		5th	R		1	1	1	1	1	1	1	1	1	FFh
CMD1	AAh	-	R	Read first checksum	FCS[7:0]								00h	-
CMD1	AFh	-	R	Read continuous checksum	CCS[7:0]								00h	-
	C2h			Set_DSI Mode	0	0	0	0	0	0	DM1	DM0	00h	-
	C4h			Set_DSPI Mode	0	0	DSPI_CFG 1	DSPI_CFG 0	0	0	0	DSPI_EN	00h	-
CMD1	DAh	-	R	Read display identification information (the same as 04h)	ID1[7:0]								00h	-
CMD1	DBh	-	R		ID2[7:0]								80h	-
CMD1	DCh	-	R		ID3[7:0]								00h	-
CMD1	FEh	-	W	Write CMD mode page	0	0	0	0	CMD_Page[3:0]			00h	-	
CMD1	FFh	-	R	Read CMD page Status	0	0	0	0	CMD_Status[3:0]			00h	-	

## 6.2 Command Description NOP (0000h)

0000H	NOP (No Operation)																								
Inst/Para	R/W	Address		D15-8	D7	D6	D5	D4	D3	D2	D1	D0	HEX												
		MIPI	Other																						
NOP	W	00h	0000h	No Argument																					
Description	This command is an empty command; it does not have any effect on the display module. X = Don't care.																								
Restriction	None																								
Register Availability	<table border="1"> <thead> <tr> <th>Status</th> <th>Availability</th> </tr> </thead> <tbody> <tr> <td>Normal Mode On, Idle Mode Off, Sleep Out</td> <td>Yes</td> </tr> <tr> <td>Normal Mode On, Idle Mode On, Sleep Out</td> <td>Yes</td> </tr> <tr> <td>Partial Mode On, Idle Mode Off, Sleep Out</td> <td>Yes</td> </tr> <tr> <td>Partial Mode On, Idle Mode On, Sleep Out</td> <td>Yes</td> </tr> <tr> <td>Sleep In</td> <td>Yes</td> </tr> </tbody> </table>													Status	Availability	Normal Mode On, Idle Mode Off, Sleep Out	Yes	Normal Mode On, Idle Mode On, Sleep Out	Yes	Partial Mode On, Idle Mode Off, Sleep Out	Yes	Partial Mode On, Idle Mode On, Sleep Out	Yes	Sleep In	Yes
Status	Availability																								
Normal Mode On, Idle Mode Off, Sleep Out	Yes																								
Normal Mode On, Idle Mode On, Sleep Out	Yes																								
Partial Mode On, Idle Mode Off, Sleep Out	Yes																								
Partial Mode On, Idle Mode On, Sleep Out	Yes																								
Sleep In	Yes																								
Default	<table border="1"> <thead> <tr> <th>Status</th> <th>Default Value</th> </tr> </thead> <tbody> <tr> <td>Power On Sequence</td> <td>N/A</td> </tr> <tr> <td>SW Reset</td> <td>N/A</td> </tr> <tr> <td>HW Reset</td> <td>N/A</td> </tr> </tbody> </table>													Status	Default Value	Power On Sequence	N/A	SW Reset	N/A	HW Reset	N/A				
Status	Default Value																								
Power On Sequence	N/A																								
SW Reset	N/A																								
HW Reset	N/A																								
Flow Chart	None																								

## SWRESET(0100h) : Software Reset

0100H	SWRESET(Software Reset)																								
Inst/Para	R/W	Address		D15-8	D7	D6	D5	D4	D3	D2	D1	D0	HEX												
		MIPI	Other																						
SWRESET	W	01h	0100h	No Argument																					
Description	When the Software Reset command is written, it causes software reset. It resets the commands and parameters to their S/W Reset default values. (See default tables in each command description.)																								
Restriction	Software Reset Command cannot be sent during Sleep Out sequence. Any new command cannot be sent for 10-frame period until the RM67162 enters Sleep-In mode. Do not send any command.																								
Register Availability	<table border="1"> <thead> <tr> <th>Status</th> <th>Availability</th> </tr> </thead> <tbody> <tr> <td>Normal Mode On, Idle Mode Off, Sleep Out</td> <td>Yes</td> </tr> <tr> <td>Normal Mode On, Idle Mode On, Sleep Out</td> <td>Yes</td> </tr> <tr> <td>Partial Mode On, Idle Mode Off, Sleep Out</td> <td>Yes</td> </tr> <tr> <td>Partial Mode On, Idle Mode On, Sleep Out</td> <td>Yes</td> </tr> <tr> <td>Sleep In</td> <td>Yes</td> </tr> </tbody> </table>													Status	Availability	Normal Mode On, Idle Mode Off, Sleep Out	Yes	Normal Mode On, Idle Mode On, Sleep Out	Yes	Partial Mode On, Idle Mode Off, Sleep Out	Yes	Partial Mode On, Idle Mode On, Sleep Out	Yes	Sleep In	Yes
Status	Availability																								
Normal Mode On, Idle Mode Off, Sleep Out	Yes																								
Normal Mode On, Idle Mode On, Sleep Out	Yes																								
Partial Mode On, Idle Mode Off, Sleep Out	Yes																								
Partial Mode On, Idle Mode On, Sleep Out	Yes																								
Sleep In	Yes																								
Default	<table border="1"> <thead> <tr> <th>Status</th> <th>Default Value</th> </tr> </thead> <tbody> <tr> <td>Power On Sequence</td> <td>N/A</td> </tr> <tr> <td>SW Reset</td> <td>N/A</td> </tr> <tr> <td>HW Reset</td> <td>N/A</td> </tr> </tbody> </table>													Status	Default Value	Power On Sequence	N/A	SW Reset	N/A	HW Reset	N/A				
Status	Default Value																								
Power On Sequence	N/A																								
SW Reset	N/A																								
HW Reset	N/A																								
Flow Chart	<pre> graph TD     A[SWRESET (01h)] --&gt; B{{Display whole blank screen}}     B --&gt; C{{Set Commands to S/W Default Value}}     C --&gt; D([Sleep In Mode])     </pre> <p><b>Legend</b></p> <ul style="list-style-type: none"> <li>Command: Rectangle</li> <li>Parameter: Parallelogram</li> <li>Display: Hexagon</li> <li>Action: Pentagon</li> <li>Mode: Oval</li> <li>Sequential transfer: Rounded rectangle</li> </ul>																								

## RDDID(0400h~0402h) : Read Display ID

0400H		RDDID																									
Inst/Para	R/W	Address		D15-8	D7	D6	D5	D4	D3	D2	D1	D0	HEX														
		MIPI	Other																								
RDDID	R	04h	0400h	x	ID17	ID16	ID15	ID14	ID13	ID12	ID11	ID10	00														
			0401h	x	ID27	ID26	ID25	ID24	ID23	ID22	ID21	ID20	80														
			0402h	x	ID37	ID36	ID35	ID34	ID33	ID32	ID31	ID30	00														
Description	The 1 <sup>st</sup> parameter (ID1): the Module's manufacture ID The 2 <sup>nd</sup> parameter (ID2): the Module/driver version ID The 3 <sup>rd</sup> parameter (ID3): the Module/driver ID Note: Commands RDID1/2/3 (DAh/DBh/DCh) read data correspond to the parameter 1, 2, 3 of command 04h, respectively.																										
Restriction	-																										
Register Availability	<table border="1"> <thead> <tr> <th>Status</th> <th>Availability</th> </tr> </thead> <tbody> <tr> <td>Normal Mode On, Idle Mode Off, Sleep Out</td> <td>Yes</td> </tr> <tr> <td>Normal Mode On, Idle Mode On, Sleep Out</td> <td>Yes</td> </tr> <tr> <td>Partial Mode On, Idle Mode Off, Sleep Out</td> <td>Yes</td> </tr> <tr> <td>Partial Mode On, Idle Mode On, Sleep Out</td> <td>Yes</td> </tr> <tr> <td>Sleep In</td> <td>Yes</td> </tr> </tbody> </table>													Status	Availability	Normal Mode On, Idle Mode Off, Sleep Out	Yes	Normal Mode On, Idle Mode On, Sleep Out	Yes	Partial Mode On, Idle Mode Off, Sleep Out	Yes	Partial Mode On, Idle Mode On, Sleep Out	Yes	Sleep In	Yes		
Status	Availability																										
Normal Mode On, Idle Mode Off, Sleep Out	Yes																										
Normal Mode On, Idle Mode On, Sleep Out	Yes																										
Partial Mode On, Idle Mode Off, Sleep Out	Yes																										
Partial Mode On, Idle Mode On, Sleep Out	Yes																										
Sleep In	Yes																										
Default	<table border="1"> <thead> <tr> <th rowspan="2">Status</th> <th colspan="2">Default Value</th> </tr> <tr> <th>After MTP</th> <th>Before MTP</th> </tr> </thead> <tbody> <tr> <td>Power On Sequence</td> <td>MTP value</td> <td>ID1=00h / ID2=80h / ID3=00h</td> </tr> <tr> <td>SW Reset</td> <td>MTP value</td> <td>ID1=00h / ID2=80h / ID3=00h</td> </tr> <tr> <td>HW Reset</td> <td>MTP value</td> <td>ID1=00h / ID2=80h / ID3=00h</td> </tr> </tbody> </table>													Status	Default Value		After MTP	Before MTP	Power On Sequence	MTP value	ID1=00h / ID2=80h / ID3=00h	SW Reset	MTP value	ID1=00h / ID2=80h / ID3=00h	HW Reset	MTP value	ID1=00h / ID2=80h / ID3=00h
Status	Default Value																										
	After MTP	Before MTP																									
Power On Sequence	MTP value	ID1=00h / ID2=80h / ID3=00h																									
SW Reset	MTP value	ID1=00h / ID2=80h / ID3=00h																									
HW Reset	MTP value	ID1=00h / ID2=80h / ID3=00h																									
Flow Chart	<pre> graph TD     A[RDDID (04h)] --&gt; B[/Send 1st parameter ID1[7:0]/]     B --&gt; C[/Send 2nd parameter ID2[7:0]/]     C --&gt; D[/Send 3rd parameter ID3[7:0]/]     </pre> <p><b>Legend</b></p> <ul style="list-style-type: none"> <li>Command: Rectangle</li> <li>Parameter: Parallelogram</li> <li>Display: Hexagon</li> <li>Action: Pentagon</li> <li>Mode: Oval</li> <li>Sequential transfer: Oval with tail</li> </ul>																										

## RDNUMED(0500h) : Read Number of Errors on DSI

0500H		RDNUMED																							
Inst/Para	R/W	Address		D15-8	D7	D6	D5	D4	D3	D2	D1	D0	HEX												
		MIPI	Other																						
RDNUMED	R	05h	0500h	x	D7	D6	D5	D4	D3	D2	D1	D0	00												
Description	<p>The first parameter is telling a number of the parity errors on DSI. The more detailed description of the bits is below.                      D[6..0] bits are telling a number of the parity errors.                      D[7] is set to "1" if there is overflow with D[6..0] bits.                      D[7..0] bits are set to "0"s (as well as RDDSM(0Eh)'s D0 are set "0" at the same time) after there is sent the first parameter information (= The read function is completed).                      This command is used for MIPI DSI only. It is no function for others interface operation.</p>																								
Restriction	-																								
Register Availability	<table border="1"> <thead> <tr> <th>Status</th> <th>Availability</th> </tr> </thead> <tbody> <tr> <td>Normal Mode On, Idle Mode Off, Sleep Out</td> <td>Yes</td> </tr> <tr> <td>Normal Mode On, Idle Mode On, Sleep Out</td> <td>Yes</td> </tr> <tr> <td>Partial Mode On, Idle Mode Off, Sleep Out</td> <td>Yes</td> </tr> <tr> <td>Partial Mode On, Idle Mode On, Sleep Out</td> <td>Yes</td> </tr> <tr> <td>Sleep In</td> <td>Yes</td> </tr> </tbody> </table>													Status	Availability	Normal Mode On, Idle Mode Off, Sleep Out	Yes	Normal Mode On, Idle Mode On, Sleep Out	Yes	Partial Mode On, Idle Mode Off, Sleep Out	Yes	Partial Mode On, Idle Mode On, Sleep Out	Yes	Sleep In	Yes
Status	Availability																								
Normal Mode On, Idle Mode Off, Sleep Out	Yes																								
Normal Mode On, Idle Mode On, Sleep Out	Yes																								
Partial Mode On, Idle Mode Off, Sleep Out	Yes																								
Partial Mode On, Idle Mode On, Sleep Out	Yes																								
Sleep In	Yes																								
Default	<table border="1"> <thead> <tr> <th>Status</th> <th>Default Value</th> </tr> </thead> <tbody> <tr> <td>Power On Sequence</td> <td>00h</td> </tr> <tr> <td>SW Reset</td> <td>00h</td> </tr> <tr> <td>HW Reset</td> <td>00h</td> </tr> </tbody> </table>													Status	Default Value	Power On Sequence	00h	SW Reset	00h	HW Reset	00h				
Status	Default Value																								
Power On Sequence	00h																								
SW Reset	00h																								
HW Reset	00h																								
Flow Chart	<pre> graph TD     A[RDDID (05h)] --&gt; B[/Send 1st parameter/]     B --&gt; C[/P[7:0]=00h RDDSM(0Eh)'s D0 = '0'/]     </pre> <p><b>Legend</b></p> <ul style="list-style-type: none"> <li>Command: Rectangle</li> <li>Parameter: Parallelogram</li> <li>Display: Hexagon</li> <li>Action: Arrowhead</li> <li>Mode: Oval</li> <li>Sequential transfer: Double arrow</li> </ul>																								

## RDDPM (0A00h) : Read Display Power Mode

0A00H		RDDPM (Read Display Power Mode)																							
Inst/Para	R/W	Address		D15-8	D7	D6	D5	D4	D3	D2	D1	D0	HEX												
		MIPI	Other																						
RDDPM	R	0Ah	0A00h	x	D7	D6	D5	D4	D3	D2	D1	D0	08												
Description	This command indicates the current status of the display as described in the table below:																								
	<b>Bit</b>	<b>Symbol</b>	<b>Description</b>	<b>Comment</b>																					
	D7	BSTON	Booster Voltage Status	'1'=Booster on, '0'=Booster off																					
	D6	IDMON	Idle Mode On/Off	'1' = Idle Mode On, '0' = Idle Mode Off																					
	D5	PTLON	Partial Mode On/Off	'1' = Partial Mode On, '0' = Partial Mode Off																					
	D4	SLPON	Sleep In/Out	'1' = Sleep Out, '0' = Sleep In																					
	D3	NORON	Display Normal Mode On/Off	'1' = Normal Display, '0' = Partial Display																					
	D2	DISON	Display On/Off	'1' = Display On, '0' = Display Off																					
D1	Reserved		0																						
D0	Reserved		0																						
Register Availability	<table border="1"> <thead> <tr> <th>Status</th> <th>Availability</th> </tr> </thead> <tbody> <tr> <td>Normal Mode On, Idle Mode Off, Sleep Out</td> <td>Yes</td> </tr> <tr> <td>Normal Mode On, Idle Mode On, Sleep Out</td> <td>Yes</td> </tr> <tr> <td>Partial Mode On, Idle Mode Off, Sleep Out</td> <td>Yes</td> </tr> <tr> <td>Partial Mode On, Idle Mode On, Sleep Out</td> <td>Yes</td> </tr> <tr> <td>Sleep In</td> <td>Yes</td> </tr> </tbody> </table>													Status	Availability	Normal Mode On, Idle Mode Off, Sleep Out	Yes	Normal Mode On, Idle Mode On, Sleep Out	Yes	Partial Mode On, Idle Mode Off, Sleep Out	Yes	Partial Mode On, Idle Mode On, Sleep Out	Yes	Sleep In	Yes
	Status	Availability																							
	Normal Mode On, Idle Mode Off, Sleep Out	Yes																							
	Normal Mode On, Idle Mode On, Sleep Out	Yes																							
	Partial Mode On, Idle Mode Off, Sleep Out	Yes																							
Partial Mode On, Idle Mode On, Sleep Out	Yes																								
Sleep In	Yes																								
Default	<table border="1"> <thead> <tr> <th>Status</th> <th>Default Value</th> </tr> </thead> <tbody> <tr> <td>Power On Sequence</td> <td>08h</td> </tr> <tr> <td>SW Reset</td> <td>08h</td> </tr> <tr> <td>HW Reset</td> <td>08h</td> </tr> </tbody> </table>													Status	Default Value	Power On Sequence	08h	SW Reset	08h	HW Reset	08h				
	Status	Default Value																							
	Power On Sequence	08h																							
	SW Reset	08h																							
HW Reset	08h																								
Flow Chart	<div style="display: flex; justify-content: space-around;"> <div style="text-align: center;"> <p>Serial I/F Mode</p> </div> <div style="text-align: center;"> <p>Parallel I/F Mode</p> </div> </div> <div style="margin-top: 20px;"> <p style="text-align: center;">Host Driver</p> <div style="border: 1px dashed black; padding: 5px; width: fit-content; margin: auto;"> <p>Legend</p> <ul style="list-style-type: none"> <li>Command: [Rectangle]</li> <li>Parameter: [Parallelogram]</li> <li>Display: [Oval]</li> <li>Action: [Arrowhead]</li> <li>Mode: [Rounded Rectangle]</li> <li>Sequential transfer: [Speech bubble]</li> </ul> </div> </div>																								

## RDDMADCTR (0B00h): Read Display MADCTR

0B00H		RDDMADCTR (Read Display MADCTR)																							
Inst/Para	R/W	Address		D15-8	D7	D6	D5	D4	D3	D2	D1	D0	HEX												
		MIPI	Other																						
RDDMADCTR	R	0Bh	0B00h	x	D7	D6	D5	D4	D3	D2	D1	D0	00												
Description	This command indicates the current status of the display as described in the table below:																								
	Bit	Symbol	Description	Comment																					
	D7	MY	Row Address Increment	0: Increasing in vertical 1: Decreasing in vertical																					
	D6	MX	Column Address Increment	0: Increasing in horizontal 1: Increasing in horizontal																					
	D5	MV	Row/Column Order (MV)	0: Row/column exchange 1: Normal																					
	D4	ML	Vertical Refresh Order	0: LCD Refresh Top to Bottom 1: LCD Refresh Bottom to Top																					
	D3	RGB	RGB/BGR Order	'1' =BGR, "0"=RGB																					
	D2	Reserved		0																					
	D1	RSMX	Horizontal Flip	'0' = Normal display(36H-D1='0') '1' = Flipped display(36H-D1='1')																					
D0	RSMY	Vertical Flip	'0' = Normal display(36H-D0='0') '1' = Flipped display(36H-D0='1')																						
Register Availability	<table border="1"> <thead> <tr> <th>Status</th> <th>Availability</th> </tr> </thead> <tbody> <tr> <td>Normal Mode On, Idle Mode Off, Sleep Out</td> <td>Yes</td> </tr> <tr> <td>Normal Mode On, Idle Mode On, Sleep Out</td> <td>Yes</td> </tr> <tr> <td>Partial Mode On, Idle Mode Off, Sleep Out</td> <td>Yes</td> </tr> <tr> <td>Partial Mode On, Idle Mode On, Sleep Out</td> <td>Yes</td> </tr> <tr> <td>Sleep In</td> <td>Yes</td> </tr> </tbody> </table>													Status	Availability	Normal Mode On, Idle Mode Off, Sleep Out	Yes	Normal Mode On, Idle Mode On, Sleep Out	Yes	Partial Mode On, Idle Mode Off, Sleep Out	Yes	Partial Mode On, Idle Mode On, Sleep Out	Yes	Sleep In	Yes
	Status	Availability																							
	Normal Mode On, Idle Mode Off, Sleep Out	Yes																							
	Normal Mode On, Idle Mode On, Sleep Out	Yes																							
	Partial Mode On, Idle Mode Off, Sleep Out	Yes																							
	Partial Mode On, Idle Mode On, Sleep Out	Yes																							
Sleep In	Yes																								
Default	<table border="1"> <thead> <tr> <th>Status</th> <th>Default Value</th> </tr> </thead> <tbody> <tr> <td>Power On Sequence</td> <td>00h</td> </tr> <tr> <td>SW Reset</td> <td>00h</td> </tr> <tr> <td>HW Reset</td> <td>00h</td> </tr> </tbody> </table>													Status	Default Value	Power On Sequence	00h	SW Reset	00h	HW Reset	00h				
	Status	Default Value																							
	Power On Sequence	00h																							
	SW Reset	00h																							
HW Reset	00h																								
Flow Chart	<div style="display: flex; justify-content: space-around;"> <div style="text-align: center;"> <p>Serial I/F Mode</p> </div> <div style="text-align: center;"> <p>Parallel I/F Mode</p> </div> </div> <div style="margin-top: 20px;"> <p>Host Driver</p> </div> <div style="border: 1px dashed black; padding: 10px; margin-top: 20px;"> <p>Legend</p> <ul style="list-style-type: none"> <li> Command</li> <li> Parameter</li> <li> Display</li> <li> Action</li> <li> Mode</li> <li> Sequential transfer</li> </ul> </div>																								

## RDDCOLMOD (0C00h): Read Display Pixel Format

0C00H	RDDCOLMOD (Read Display Pixel Format)																																									
Inst/Para	R/W	Address		D15-8	D7	D6	D5	D4	D3	D2	D1	D0	HEX																													
		MIPI	Other																																							
RDDCOLMOD	R	0Ch	0C00h	x	0	1	1	1	0	IFPF[2]	IFPF[1]	IFPF[0]	77																													
Description	This command indicates the current status of the display as described in the table below:																																									
	<table border="1"> <thead> <tr> <th>Bit</th> <th>Symbol</th> <th>Description</th> <th>Comment</th> </tr> </thead> <tbody> <tr> <td>D2</td> <td>IFPF[2]</td> <td rowspan="3">DBI Pixel Format(Control Interface Color Format)</td> <td>'001' = SPI 1-1-1 / pixel,</td> </tr> <tr> <td>D1</td> <td>IFPF[1]</td> <td>'010' = SPI 3-3-2 / pixel,</td> </tr> <tr> <td>D0</td> <td>IFPF[0]</td> <td>'011' = SPI 256 Gray / pixel,</td> </tr> <tr> <td colspan="3"></td> <td>'101' = 16-bits / pixel,</td> </tr> <tr> <td colspan="3"></td> <td>'110' = 18-bits / pixel,</td> </tr> <tr> <td colspan="3"></td> <td>'111' = 24-bits / pixel,</td> </tr> <tr> <td colspan="3"></td> <td>others are no define</td> </tr> </tbody> </table>				Bit	Symbol	Description	Comment	D2	IFPF[2]	DBI Pixel Format(Control Interface Color Format)	'001' = SPI 1-1-1 / pixel,	D1	IFPF[1]	'010' = SPI 3-3-2 / pixel,	D0	IFPF[0]	'011' = SPI 256 Gray / pixel,				'101' = 16-bits / pixel,				'110' = 18-bits / pixel,				'111' = 24-bits / pixel,				others are no define								
Bit	Symbol	Description	Comment																																							
D2	IFPF[2]	DBI Pixel Format(Control Interface Color Format)	'001' = SPI 1-1-1 / pixel,																																							
D1	IFPF[1]		'010' = SPI 3-3-2 / pixel,																																							
D0	IFPF[0]		'011' = SPI 256 Gray / pixel,																																							
			'101' = 16-bits / pixel,																																							
			'110' = 18-bits / pixel,																																							
			'111' = 24-bits / pixel,																																							
			others are no define																																							
Register Availability	<table border="1"> <thead> <tr> <th>Status</th> <th>Availability</th> </tr> </thead> <tbody> <tr> <td>Normal Mode On, Idle Mode Off, Sleep Out</td> <td>Yes</td> </tr> <tr> <td>Normal Mode On, Idle Mode On, Sleep Out</td> <td>Yes</td> </tr> <tr> <td>Partial Mode On, Idle Mode Off, Sleep Out</td> <td>Yes</td> </tr> <tr> <td>Partial Mode On, Idle Mode On, Sleep Out</td> <td>Yes</td> </tr> <tr> <td>Sleep In</td> <td>Yes</td> </tr> </tbody> </table>													Status	Availability	Normal Mode On, Idle Mode Off, Sleep Out	Yes	Normal Mode On, Idle Mode On, Sleep Out	Yes	Partial Mode On, Idle Mode Off, Sleep Out	Yes	Partial Mode On, Idle Mode On, Sleep Out	Yes	Sleep In	Yes																	
	Status	Availability																																								
Normal Mode On, Idle Mode Off, Sleep Out	Yes																																									
Normal Mode On, Idle Mode On, Sleep Out	Yes																																									
Partial Mode On, Idle Mode Off, Sleep Out	Yes																																									
Partial Mode On, Idle Mode On, Sleep Out	Yes																																									
Sleep In	Yes																																									
Default	<table border="1"> <thead> <tr> <th>Status</th> <th>Default Value</th> </tr> </thead> <tbody> <tr> <td>Power On Sequence</td> <td>77h</td> </tr> <tr> <td>SW Reset</td> <td>77h</td> </tr> <tr> <td>HW Reset</td> <td>77h</td> </tr> </tbody> </table>													Status	Default Value	Power On Sequence	77h	SW Reset	77h	HW Reset	77h																					
	Status	Default Value																																								
Power On Sequence	77h																																									
SW Reset	77h																																									
HW Reset	77h																																									
Flow Chart	<div style="display: flex; justify-content: space-around;"> <div style="text-align: center;"> <p>Serial I/F Mode</p> <pre> graph TD     A[RDDCOLMOD (0Ch)] --&gt; B[/Send D[7:0]/]             </pre> </div> <div style="text-align: center;"> <p>Parallel I/F Mode</p> <pre> graph TD     A[RDDCOLMOD (0Ch)] --&gt; B[/Dummy Read/]     B --&gt; C[/Send D[7:0]/]             </pre> </div> </div> <p style="text-align: right; margin-right: 50px;">Host Driver</p> <div style="border: 1px dashed black; padding: 5px; margin-top: 10px;"> <p style="text-align: center;">Legend</p> <ul style="list-style-type: none"> <li>Command: <span style="border: 1px solid black; padding: 2px 10px;"> </span></li> <li>Parameter: <span style="border: 1px solid black; transform: rotate(-15deg); padding: 2px 10px;"> </span></li> <li>Display: <span style="border: 1px solid black; border-radius: 15px; padding: 2px 10px;"> </span></li> <li>Action: <span style="border: 1px solid black; border-radius: 5px 15px 15px 5px; padding: 2px 10px;"> </span></li> <li>Mode: <span style="border: 1px solid black; border-radius: 10px; padding: 2px 10px;"> </span></li> <li>Sequential transfer: <span style="border: 1px solid black; border-radius: 50%; padding: 2px 10px;"> </span></li> </ul> </div>																																									

## RDDIM (0D00h): Read Display Image Mode

0D00H		RDDIM (Read Display Image Mode)																																							
Inst/Para	R/W	Address		D15-8	D7	D6	D5	D4	D3	D2	D1	D0	HEX																												
		MIPI	Other																																						
RDDIM	R	0Dh	0D00h	x	D7	D6	D5	D4	D3	D2	D1	D0	00																												
Description	The display module returns the display image mode status.																																								
	<table border="1"> <thead> <tr> <th>Bit</th> <th>Symbol</th> <th>Description</th> <th>Comment</th> </tr> </thead> <tbody> <tr> <td>D7</td> <td>Reserved</td> <td></td> <td>'0'</td> </tr> <tr> <td>D6</td> <td>Reserved</td> <td></td> <td>'0'</td> </tr> <tr> <td>D5</td> <td>INVON</td> <td>Inversion On/Off</td> <td>"1" = Inversion is On, "0" = Inversion is Off</td> </tr> <tr> <td>D4</td> <td>ALLON</td> <td>All Pixel On</td> <td>'0' = Normal display '1' = White display</td> </tr> <tr> <td>D3</td> <td>ALLOFF</td> <td>All Pixel Off</td> <td>'0' = Normal display '1' = Black display</td> </tr> <tr> <td>D2~D0</td> <td>Reserved</td> <td></td> <td>'000'</td> </tr> </tbody> </table>													Bit	Symbol	Description	Comment	D7	Reserved		'0'	D6	Reserved		'0'	D5	INVON	Inversion On/Off	"1" = Inversion is On, "0" = Inversion is Off	D4	ALLON	All Pixel On	'0' = Normal display '1' = White display	D3	ALLOFF	All Pixel Off	'0' = Normal display '1' = Black display	D2~D0	Reserved		'000'
	Bit	Symbol	Description	Comment																																					
	D7	Reserved		'0'																																					
	D6	Reserved		'0'																																					
	D5	INVON	Inversion On/Off	"1" = Inversion is On, "0" = Inversion is Off																																					
	D4	ALLON	All Pixel On	'0' = Normal display '1' = White display																																					
D3	ALLOFF	All Pixel Off	'0' = Normal display '1' = Black display																																						
D2~D0	Reserved		'000'																																						
Register Availability	<table border="1"> <thead> <tr> <th>Status</th> <th>Availability</th> </tr> </thead> <tbody> <tr> <td>Normal Mode On, Idle Mode Off, Sleep Out</td> <td>Yes</td> </tr> <tr> <td>Normal Mode On, Idle Mode On, Sleep Out</td> <td>Yes</td> </tr> <tr> <td>Partial Mode On, Idle Mode Off, Sleep Out</td> <td>Yes</td> </tr> <tr> <td>Partial Mode On, Idle Mode On, Sleep Out</td> <td>Yes</td> </tr> <tr> <td>Sleep In</td> <td>Yes</td> </tr> </tbody> </table>													Status	Availability	Normal Mode On, Idle Mode Off, Sleep Out	Yes	Normal Mode On, Idle Mode On, Sleep Out	Yes	Partial Mode On, Idle Mode Off, Sleep Out	Yes	Partial Mode On, Idle Mode On, Sleep Out	Yes	Sleep In	Yes																
	Status	Availability																																							
	Normal Mode On, Idle Mode Off, Sleep Out	Yes																																							
	Normal Mode On, Idle Mode On, Sleep Out	Yes																																							
	Partial Mode On, Idle Mode Off, Sleep Out	Yes																																							
Partial Mode On, Idle Mode On, Sleep Out	Yes																																								
Sleep In	Yes																																								
Default	<table border="1"> <thead> <tr> <th>Status</th> <th>Default Value</th> </tr> </thead> <tbody> <tr> <td>Power On Sequence</td> <td>00h</td> </tr> <tr> <td>SW Reset</td> <td>00h</td> </tr> <tr> <td>HW Reset</td> <td>00h</td> </tr> </tbody> </table>													Status	Default Value	Power On Sequence	00h	SW Reset	00h	HW Reset	00h																				
	Status	Default Value																																							
	Power On Sequence	00h																																							
	SW Reset	00h																																							
HW Reset	00h																																								
Flow Chart	<div style="display: flex; justify-content: space-around;"> <div style="text-align: center;"> <p>Serial I/F Mode</p> </div> <div style="text-align: center;"> <p>Parallel I/F Mode</p> </div> </div> <p style="text-align: center; margin-top: 10px;">Host Driver</p> <div style="border: 1px dashed black; padding: 5px; margin-top: 10px;"> <p style="text-align: center;">Legend</p> <ul style="list-style-type: none"> <li>Command: [Rectangle]</li> <li>Parameter: [Parallelogram]</li> <li>Display: [Oval]</li> <li>Action: [Arrowhead]</li> <li>Mode: [Oval]</li> <li>Sequential transfer: [Speech bubble]</li> </ul> </div>																																								

## RDDSM (0E00h): Read Display Signal Mode

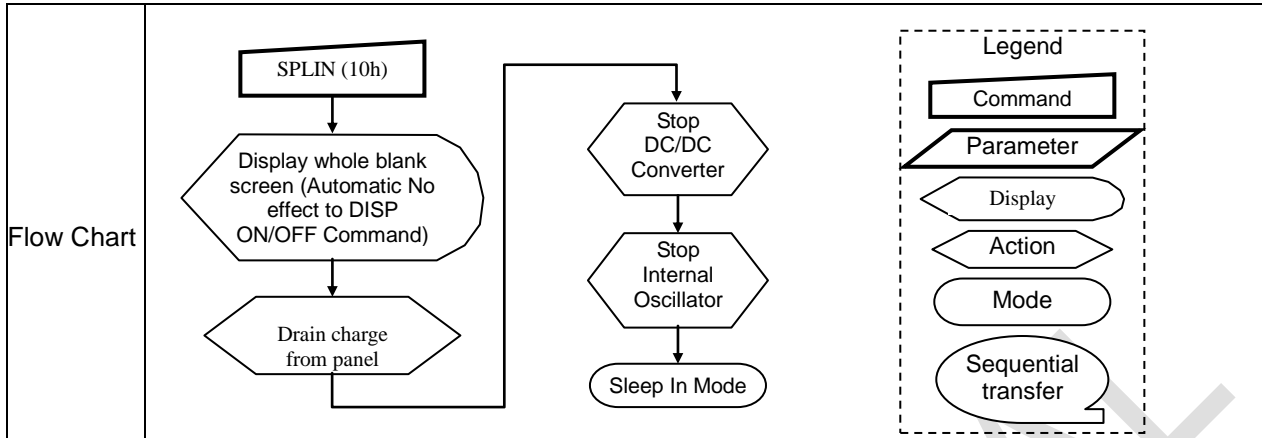
0E00H		RDDSM (Read Display Signal Mode)																							
Inst/Para	R/W	Address		D15-8	D7	D6	D5	D4	D3	D2	D1	D0	HEX												
		MIPI	Other																						
RDDSM	R	0Eh	0E00h	x	D7	D6	D5	D4	D3	D2	D1	D0	00												
Description	The display module returns the Display Signal Mode.																								
	Bit		Symbol		Description		Comment																		
	D7		TEON		Tearing Effect Line On/Off		"1" = On, "0" = Off																		
	D6		TELOM		Tearing effect line mode		"0" = mode1, "1" = mode2																		
	D5		Reserved				'0'																		
	D4		Reserved				'0'																		
	D3		Reserved				'0'																		
	D2		Reserved				'0'																		
	D1		Reserved				'0'																		
D0		Error on DSI		Error on DSI		'0' = No Error '1' = Error																			
Register Availability	<table border="1"> <thead> <tr> <th>Status</th> <th>Availability</th> </tr> </thead> <tbody> <tr> <td>Normal Mode On, Idle Mode Off, Sleep Out</td> <td>Yes</td> </tr> <tr> <td>Normal Mode On, Idle Mode On, Sleep Out</td> <td>Yes</td> </tr> <tr> <td>Partial Mode On, Idle Mode Off, Sleep Out</td> <td>Yes</td> </tr> <tr> <td>Partial Mode On, Idle Mode On, Sleep Out</td> <td>Yes</td> </tr> <tr> <td>Sleep In</td> <td>Yes</td> </tr> </tbody> </table>													Status	Availability	Normal Mode On, Idle Mode Off, Sleep Out	Yes	Normal Mode On, Idle Mode On, Sleep Out	Yes	Partial Mode On, Idle Mode Off, Sleep Out	Yes	Partial Mode On, Idle Mode On, Sleep Out	Yes	Sleep In	Yes
	Status	Availability																							
	Normal Mode On, Idle Mode Off, Sleep Out	Yes																							
	Normal Mode On, Idle Mode On, Sleep Out	Yes																							
	Partial Mode On, Idle Mode Off, Sleep Out	Yes																							
	Partial Mode On, Idle Mode On, Sleep Out	Yes																							
Sleep In	Yes																								
Default	<table border="1"> <thead> <tr> <th>Status</th> <th>Default Value</th> </tr> </thead> <tbody> <tr> <td>Power On Sequence</td> <td>00h</td> </tr> <tr> <td>SW Reset</td> <td>00h</td> </tr> <tr> <td>HW Reset</td> <td>00h</td> </tr> </tbody> </table>													Status	Default Value	Power On Sequence	00h	SW Reset	00h	HW Reset	00h				
	Status	Default Value																							
	Power On Sequence	00h																							
	SW Reset	00h																							
HW Reset	00h																								
Flow Chart	<div style="display: flex; justify-content: space-around;"> <div style="text-align: center;"> <p>Serial I/F Mode</p> </div> <div style="text-align: center;"> <p>Parallel I/F Mode</p> </div> </div> <p style="text-align: center;">Host Driver</p>																								
	<div style="border: 1px dashed black; padding: 5px;"> <p>Legend</p> <ul style="list-style-type: none"> <li> Command</li> <li> Parameter</li> <li> Display</li> <li> Action</li> <li> Mode</li> <li> Sequential transfer</li> </ul> </div>																								

## RDDSDR (0F00h): Read Display Self-Diagnostic Result

0F00H	RDDSDR (Read Display Self-Diagnostic Result)																								
Inst/Para	R/W	Address		D15-8	D7	D6	D5	D4	D3	D2	D1	D0	HEX												
		MIPI	Other																						
RDDSDR	R	0Fh	0F00h	x	0	0	0	0	0	0	0	checksum_comp	00												
Description	The display module returns the self-diagnostic results following a Sleep Out command.																								
	<table border="1"> <thead> <tr> <th>Bit</th> <th>Symbol</th> <th>Description</th> <th>Comment</th> </tr> </thead> <tbody> <tr> <td>D0</td> <td>Reserved</td> <td>checksum_comp</td> <td>'0'</td> </tr> </tbody> </table>													Bit	Symbol	Description	Comment	D0	Reserved	checksum_comp	'0'				
Bit	Symbol	Description	Comment																						
D0	Reserved	checksum_comp	'0'																						
Register Availability	<table border="1"> <thead> <tr> <th>Status</th> <th>Availability</th> </tr> </thead> <tbody> <tr> <td>Normal Mode On, Idle Mode Off, Sleep Out</td> <td>Yes</td> </tr> <tr> <td>Normal Mode On, Idle Mode On, Sleep Out</td> <td>Yes</td> </tr> <tr> <td>Partial Mode On, Idle Mode Off, Sleep Out</td> <td>Yes</td> </tr> <tr> <td>Partial Mode On, Idle Mode On, Sleep Out</td> <td>Yes</td> </tr> <tr> <td>Sleep In</td> <td>Yes</td> </tr> </tbody> </table>													Status	Availability	Normal Mode On, Idle Mode Off, Sleep Out	Yes	Normal Mode On, Idle Mode On, Sleep Out	Yes	Partial Mode On, Idle Mode Off, Sleep Out	Yes	Partial Mode On, Idle Mode On, Sleep Out	Yes	Sleep In	Yes
	Status	Availability																							
Normal Mode On, Idle Mode Off, Sleep Out	Yes																								
Normal Mode On, Idle Mode On, Sleep Out	Yes																								
Partial Mode On, Idle Mode Off, Sleep Out	Yes																								
Partial Mode On, Idle Mode On, Sleep Out	Yes																								
Sleep In	Yes																								
Default	<table border="1"> <thead> <tr> <th>Status</th> <th>Default Value</th> </tr> </thead> <tbody> <tr> <td>Power On Sequence</td> <td>00h</td> </tr> <tr> <td>SW Reset</td> <td>00h</td> </tr> <tr> <td>HW Reset</td> <td>00h</td> </tr> </tbody> </table>													Status	Default Value	Power On Sequence	00h	SW Reset	00h	HW Reset	00h				
	Status	Default Value																							
Power On Sequence	00h																								
SW Reset	00h																								
HW Reset	00h																								
Flow Chart	<div style="display: flex; justify-content: space-around;"> <div style="text-align: center;"> <p>Serial I/F Mode</p> <pre> graph TD     A[RDDSDR (0Fh)] --&gt; B[/Send D[7:0]/]             </pre> </div> <div style="text-align: center;"> <p>Parallel I/F Mode</p> <pre> graph TD     A[RDDSTR (0Fh)] --&gt; B[/Dummy Read/]     B --&gt; C[/Send D[7:0]/]             </pre> </div> </div> <p style="text-align: center; margin-top: 10px;">Host Driver</p> <div style="border: 1px dashed black; padding: 5px; margin-top: 10px;"> <p>Legend</p> <ul style="list-style-type: none"> <li><span style="border: 1px solid black; padding: 2px;">Command</span></li> <li><span style="border: 1px solid black; padding: 2px; transform: rotate(-15deg);">Parameter</span></li> <li><span style="border: 1px solid black; padding: 2px; border-radius: 15px;">Display</span></li> <li><span style="border: 1px solid black; padding: 2px; border-radius: 15px;">Action</span></li> <li><span style="border: 1px solid black; padding: 2px; border-radius: 15px;">Mode</span></li> <li><span style="border: 1px solid black; padding: 2px; border-radius: 15px;">Sequential transfer</span></li> </ul> </div>																								

## SLPIN (1000h): Sleep In

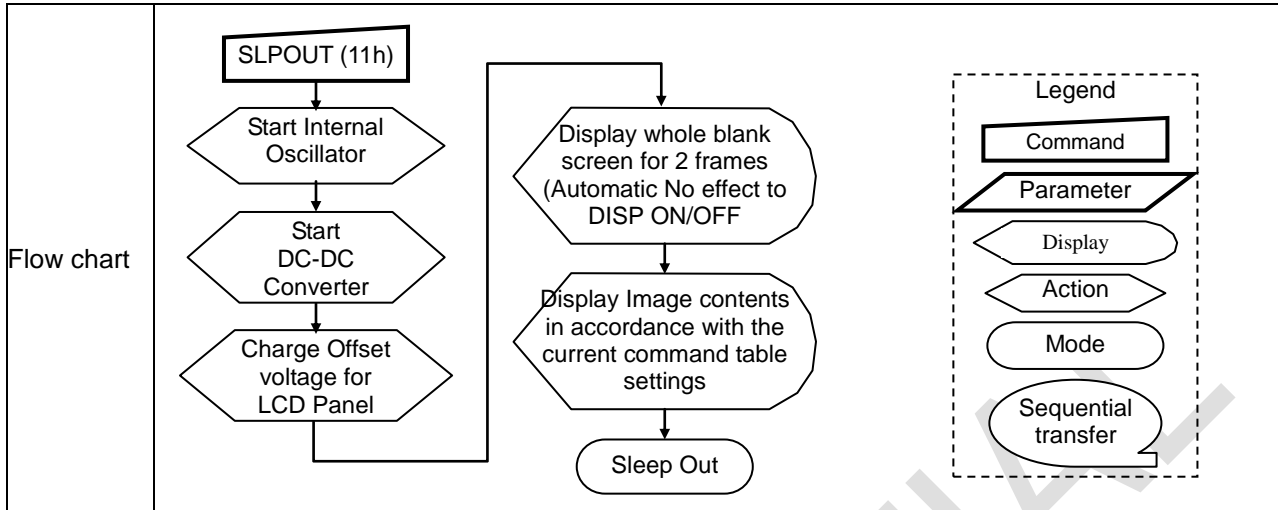
1000H	SLPIN (Sleep In)																								
Inst/Para	R/W	Address		D15-8	D7	D6	D5	D4	D3	D2	D1	D0	HEX												
		MIPI	Other																						
SLPIN	W	10h	1000h	No Argument																					
Description	<p>This command causes the display module to enter the minimum power consumption mode. In this mode the DC/DC converter is stopped, Internal display oscillator is stopped, and panel scanning is stopped. The control Interface such as registers is still working and keeps its values.</p> <p>After Sleep in command, user can send PCLK, HS and VS information on RGB I/F for blank display and this information is valid during 2 frames if there is used Normal Mode On in Sleep Out-mode.</p> <p>There is used an internal oscillator for blank display.</p>																								
Restriction	<p>This command has no effect when the display module is already in Sleep mode. Sleep In Mode can only be exit by the Sleep Out Command (11h).</p> <p>It must wait 5msec before sending next command for the supply voltages and clock circuits to stabilize.</p> <p>It must wait 120msec after sending Sleep Out command (when in Sleep In Mode) before Sleep In command can be sent.</p>																								
Register Availability	<table border="1"> <thead> <tr> <th>Status</th> <th>Availability</th> </tr> </thead> <tbody> <tr> <td>Normal Mode On, Idle Mode Off, Sleep Out</td> <td>Yes</td> </tr> <tr> <td>Normal Mode On, Idle Mode On, Sleep Out</td> <td>Yes</td> </tr> <tr> <td>Partial Mode On, Idle Mode Off, Sleep Out</td> <td>Yes</td> </tr> <tr> <td>Partial Mode On, Idle Mode On, Sleep Out</td> <td>Yes</td> </tr> <tr> <td>Sleep In</td> <td>Yes</td> </tr> </tbody> </table>													Status	Availability	Normal Mode On, Idle Mode Off, Sleep Out	Yes	Normal Mode On, Idle Mode On, Sleep Out	Yes	Partial Mode On, Idle Mode Off, Sleep Out	Yes	Partial Mode On, Idle Mode On, Sleep Out	Yes	Sleep In	Yes
Status	Availability																								
Normal Mode On, Idle Mode Off, Sleep Out	Yes																								
Normal Mode On, Idle Mode On, Sleep Out	Yes																								
Partial Mode On, Idle Mode Off, Sleep Out	Yes																								
Partial Mode On, Idle Mode On, Sleep Out	Yes																								
Sleep In	Yes																								
Default	<table border="1"> <thead> <tr> <th>Status</th> <th>Default Value</th> </tr> </thead> <tbody> <tr> <td>Power On Sequence</td> <td>Sleep In Mode</td> </tr> <tr> <td>SW Reset</td> <td>Sleep In Mode</td> </tr> <tr> <td>HW Reset</td> <td>Sleep In Mode</td> </tr> </tbody> </table>													Status	Default Value	Power On Sequence	Sleep In Mode	SW Reset	Sleep In Mode	HW Reset	Sleep In Mode				
Status	Default Value																								
Power On Sequence	Sleep In Mode																								
SW Reset	Sleep In Mode																								
HW Reset	Sleep In Mode																								



CONFIDENTIAL

## SLPOUT (1100h): Sleep Out

1100H	SLPOUT (Sleep Out)																								
Inst/Para	R/W	Address		D15-8	D7	D6	D5	D4	D3	D2	D1	D0	HEX												
		MIPI	Other																						
SLPOUT	W	11h	1100h	No Argument																					
Description	This command causes the display module to exit Sleep mode. All blocks inside the display module are enabled. The host processor sends PCLK, HS and VS information to display modules two frames before this command is sent when the display module is in Normal Mode.																								
Restriction	This command shall not cause any visible effect on the display device when the display module is not in Sleep mode. The host processor must wait five milliseconds after sending this command before sending another command. This delay allows the supply voltages and clock circuits to stabilize. The host processor must wait 120 milliseconds after sending a Sleep Out command before sending a Sleep-In command. The display module loads the display module's default values to the registers when exiting the Sleep mode. There shall not be any abnormal visual effect on the display device when loading the registers if the factory default and register values are the same or when the display module is not in Sleep mode. The display module runs the self-diagnostic functions after this command is received.																								
Register Availability	<table border="1"> <thead> <tr> <th>Status</th> <th>Availability</th> </tr> </thead> <tbody> <tr> <td>Normal Mode On, Idle Mode Off, Sleep Out</td> <td>Yes</td> </tr> <tr> <td>Normal Mode On, Idle Mode On, Sleep Out</td> <td>Yes</td> </tr> <tr> <td>Partial Mode On, Idle Mode Off, Sleep Out</td> <td>Yes</td> </tr> <tr> <td>Partial Mode On, Idle Mode On, Sleep Out</td> <td>Yes</td> </tr> <tr> <td>Sleep In</td> <td>Yes</td> </tr> </tbody> </table>													Status	Availability	Normal Mode On, Idle Mode Off, Sleep Out	Yes	Normal Mode On, Idle Mode On, Sleep Out	Yes	Partial Mode On, Idle Mode Off, Sleep Out	Yes	Partial Mode On, Idle Mode On, Sleep Out	Yes	Sleep In	Yes
Status	Availability																								
Normal Mode On, Idle Mode Off, Sleep Out	Yes																								
Normal Mode On, Idle Mode On, Sleep Out	Yes																								
Partial Mode On, Idle Mode Off, Sleep Out	Yes																								
Partial Mode On, Idle Mode On, Sleep Out	Yes																								
Sleep In	Yes																								
Default	<table border="1"> <thead> <tr> <th>Status</th> <th>Default Value</th> </tr> </thead> <tbody> <tr> <td>Power On Sequence</td> <td>Sleep In Mode</td> </tr> <tr> <td>SW Reset</td> <td>Sleep In Mode</td> </tr> <tr> <td>HW Reset</td> <td>Sleep In Mode</td> </tr> </tbody> </table>													Status	Default Value	Power On Sequence	Sleep In Mode	SW Reset	Sleep In Mode	HW Reset	Sleep In Mode				
Status	Default Value																								
Power On Sequence	Sleep In Mode																								
SW Reset	Sleep In Mode																								
HW Reset	Sleep In Mode																								



CONFIDENTIAL

## PTLON (1200h): Partial Display Mode On

1200H	PTLON (Partial Display Mode On)																								
Inst/Para	R/W	Address		D15-8	D7	D6	D5	D4	D3	D2	D1	D0	HEX												
		MIPI	Other																						
PTLON	W	12h	1200h	No Argument																					
Description	<p>This command causes the display module to enter the Partial Display Mode. The Partial Display Mode window is described by the Partial Area (30h) command.</p> <p>To leave Partial Display Mode, the Normal Display Mode On (13h) command should be written. The host processor continues to send PCLK, HS and VS information to display modules for two frames after this command is sent when the display module is in Normal Display Mode.</p>																								
Restriction	This command has no effect when Partial Display Mode is already active.																								
Register Availability	<table border="1"> <thead> <tr> <th>Status</th> <th>Availability</th> </tr> </thead> <tbody> <tr> <td>Normal Mode On, Idle Mode Off, Sleep Out</td> <td>Yes</td> </tr> <tr> <td>Normal Mode On, Idle Mode On, Sleep Out</td> <td>Yes</td> </tr> <tr> <td>Partial Mode On, Idle Mode Off, Sleep Out</td> <td>Yes</td> </tr> <tr> <td>Partial Mode On, Idle Mode On, Sleep Out</td> <td>Yes</td> </tr> <tr> <td>Sleep In</td> <td>Yes</td> </tr> </tbody> </table>													Status	Availability	Normal Mode On, Idle Mode Off, Sleep Out	Yes	Normal Mode On, Idle Mode On, Sleep Out	Yes	Partial Mode On, Idle Mode Off, Sleep Out	Yes	Partial Mode On, Idle Mode On, Sleep Out	Yes	Sleep In	Yes
Status	Availability																								
Normal Mode On, Idle Mode Off, Sleep Out	Yes																								
Normal Mode On, Idle Mode On, Sleep Out	Yes																								
Partial Mode On, Idle Mode Off, Sleep Out	Yes																								
Partial Mode On, Idle Mode On, Sleep Out	Yes																								
Sleep In	Yes																								
Default	<table border="1"> <thead> <tr> <th>Status</th> <th>Default Value</th> </tr> </thead> <tbody> <tr> <td>Power On Sequence</td> <td>Normal display mode On</td> </tr> <tr> <td>SW Reset</td> <td>Normal display mode On</td> </tr> <tr> <td>HW Reset</td> <td>Normal display mode On</td> </tr> </tbody> </table>													Status	Default Value	Power On Sequence	Normal display mode On	SW Reset	Normal display mode On	HW Reset	Normal display mode On				
Status	Default Value																								
Power On Sequence	Normal display mode On																								
SW Reset	Normal display mode On																								
HW Reset	Normal display mode On																								
Flow Chart	Refer to Partial Area (30h)																								

## NORON (1300h): Normal Display Mode On

1300H	NORON (Normal Display Mode On)																								
Inst/Para	R/W	Address		D15-8	D7	D6	D5	D4	D3	D2	D1	D0	HEX												
		MIPI	Other																						
NORON	W	13h	1300h	No Argument																					
Description	This command causes the display module to enter the Normal mode. Normal Mode is defined as Partial Display mode. The host processor sends PCLK, HS and VS information to Type 2 display modules two frames before this command is sent when the display module is in Partial Display Mode.																								
Restriction	This command has no effect when Normal Display mode is already active.																								
Register Availability	<table border="1"> <thead> <tr> <th>Status</th> <th>Availability</th> </tr> </thead> <tbody> <tr> <td>Normal Mode On, Idle Mode Off, Sleep Out</td> <td>Yes</td> </tr> <tr> <td>Normal Mode On, Idle Mode On, Sleep Out</td> <td>Yes</td> </tr> <tr> <td>Partial Mode On, Idle Mode Off, Sleep Out</td> <td>Yes</td> </tr> <tr> <td>Partial Mode On, Idle Mode On, Sleep Out</td> <td>Yes</td> </tr> <tr> <td>Sleep In</td> <td>Yes</td> </tr> </tbody> </table>													Status	Availability	Normal Mode On, Idle Mode Off, Sleep Out	Yes	Normal Mode On, Idle Mode On, Sleep Out	Yes	Partial Mode On, Idle Mode Off, Sleep Out	Yes	Partial Mode On, Idle Mode On, Sleep Out	Yes	Sleep In	Yes
Status	Availability																								
Normal Mode On, Idle Mode Off, Sleep Out	Yes																								
Normal Mode On, Idle Mode On, Sleep Out	Yes																								
Partial Mode On, Idle Mode Off, Sleep Out	Yes																								
Partial Mode On, Idle Mode On, Sleep Out	Yes																								
Sleep In	Yes																								
Default	<table border="1"> <thead> <tr> <th>Status</th> <th>Default Value</th> </tr> </thead> <tbody> <tr> <td>Power On Sequence</td> <td>Normal Display Mode On</td> </tr> <tr> <td>SW Reset</td> <td>Normal Display Mode On</td> </tr> <tr> <td>HW Reset</td> <td>Normal Display Mode On</td> </tr> </tbody> </table>													Status	Default Value	Power On Sequence	Normal Display Mode On	SW Reset	Normal Display Mode On	HW Reset	Normal Display Mode On				
Status	Default Value																								
Power On Sequence	Normal Display Mode On																								
SW Reset	Normal Display Mode On																								
HW Reset	Normal Display Mode On																								
Flow Chart	Refer to the description of Partial Area (3000h)																								

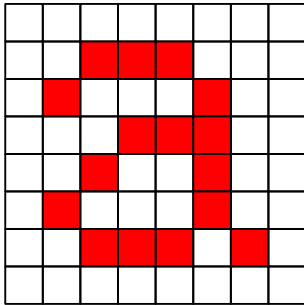
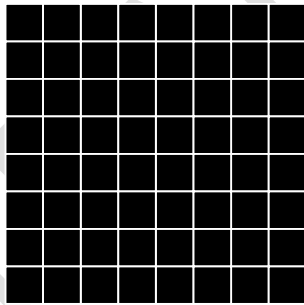
## INVOFF (2000H): Display Inversion Off

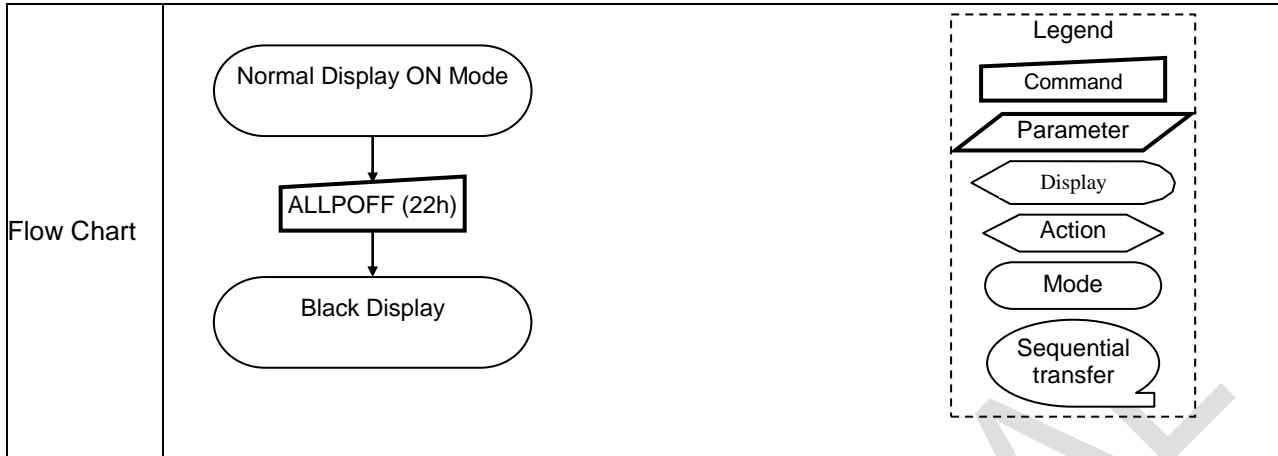
2000H		INVOFF (Display Inversion Off)																							
Inst/Para	R/W	Address		D15-8	D7	D6	D5	D4	D3	D2	D1	D0	HEX												
		MIPI	Other																						
INVOFF	W	20h	2000h	No Argument																					
Description	<p>This command causes the display module to stop inverting the image data on the display device. No status bits are changed.</p> <div style="display: flex; justify-content: space-around; align-items: center;"> <div style="text-align: center;"> <p><b>Input Image</b></p> </div> <div style="font-size: 2em; margin: 0 20px;">→</div> <div style="text-align: center;"> <p><b>Display Panel</b></p> </div> </div>																								
Restriction	This command has no effect when the display module is not inverting the display image.																								
Register Availability	<table border="1" style="width: 100%; border-collapse: collapse;"> <thead> <tr> <th>Status</th> <th>Availability</th> </tr> </thead> <tbody> <tr> <td>Normal Mode On, Idle Mode Off, Sleep Out</td> <td>Yes</td> </tr> <tr> <td>Normal Mode On, Idle Mode On, Sleep Out</td> <td>Yes</td> </tr> <tr> <td>Partial Mode On, Idle Mode Off, Sleep Out</td> <td>Yes</td> </tr> <tr> <td>Partial Mode On, Idle Mode On, Sleep Out</td> <td>Yes</td> </tr> <tr> <td>Sleep In</td> <td>Yes</td> </tr> </tbody> </table>													Status	Availability	Normal Mode On, Idle Mode Off, Sleep Out	Yes	Normal Mode On, Idle Mode On, Sleep Out	Yes	Partial Mode On, Idle Mode Off, Sleep Out	Yes	Partial Mode On, Idle Mode On, Sleep Out	Yes	Sleep In	Yes
Status	Availability																								
Normal Mode On, Idle Mode Off, Sleep Out	Yes																								
Normal Mode On, Idle Mode On, Sleep Out	Yes																								
Partial Mode On, Idle Mode Off, Sleep Out	Yes																								
Partial Mode On, Idle Mode On, Sleep Out	Yes																								
Sleep In	Yes																								
Default	<table border="1" style="width: 100%; border-collapse: collapse;"> <thead> <tr> <th>Status</th> <th>Default Value</th> </tr> </thead> <tbody> <tr> <td>Power On Sequence</td> <td>Display Inversion off</td> </tr> <tr> <td>SW Reset</td> <td>Display Inversion off</td> </tr> <tr> <td>HW Reset</td> <td>Display Inversion off</td> </tr> </tbody> </table>													Status	Default Value	Power On Sequence	Display Inversion off	SW Reset	Display Inversion off	HW Reset	Display Inversion off				
Status	Default Value																								
Power On Sequence	Display Inversion off																								
SW Reset	Display Inversion off																								
HW Reset	Display Inversion off																								
Flow Chart	<div style="display: flex; justify-content: space-between; align-items: center;"> <div style="flex: 1;"> <pre> graph TD     A([Display Inversion On Mode]) --&gt; B[INVOFF (20h)]     B --&gt; C([Display Inversion OFF Mode])             </pre> </div> <div style="border: 1px dashed black; padding: 5px;"> <p>Legend</p> <ul style="list-style-type: none"> <li>Command: [Rectangle]</li> <li>Parameter: [Trapezoid]</li> <li>Display: [Oval]</li> <li>Action: [Arrow]</li> <li>Mode: [Oval]</li> <li>Sequential transfer: [Speech bubble]</li> </ul> </div> </div>																								

## INVON (2100H): Display Inversion On

2100H		INVON (Display Inversion On)																							
Inst/Para	R/W	Address		D15-8	D7	D6	D5	D4	D3	D2	D1	D0	HEX												
		MIPI	Other																						
INVON	W	21h	2100h	No Argument																					
Description	<p>This command causes the display module to invert the image data only on the display device. No status bits are changed.</p> <div style="display: flex; justify-content: space-around; align-items: center;"> <div style="text-align: center;"> <p><b>Input Image</b></p> </div> <div style="font-size: 2em; margin: 0 20px;">→</div> <div style="text-align: center;"> <p><b>Display Panel</b></p> </div> </div>																								
Restriction	This command has no effect when module is already in inversion on mode.																								
Register Availability	<table border="1" style="width: 100%; border-collapse: collapse;"> <thead> <tr> <th>Status</th> <th>Availability</th> </tr> </thead> <tbody> <tr> <td>Normal Mode On, Idle Mode Off, Sleep Out</td> <td>Yes</td> </tr> <tr> <td>Normal Mode On, Idle Mode On, Sleep Out</td> <td>Yes</td> </tr> <tr> <td>Partial Mode On, Idle Mode Off, Sleep Out</td> <td>Yes</td> </tr> <tr> <td>Partial Mode On, Idle Mode On, Sleep Out</td> <td>Yes</td> </tr> <tr> <td>Sleep In</td> <td>Yes</td> </tr> </tbody> </table>													Status	Availability	Normal Mode On, Idle Mode Off, Sleep Out	Yes	Normal Mode On, Idle Mode On, Sleep Out	Yes	Partial Mode On, Idle Mode Off, Sleep Out	Yes	Partial Mode On, Idle Mode On, Sleep Out	Yes	Sleep In	Yes
Status	Availability																								
Normal Mode On, Idle Mode Off, Sleep Out	Yes																								
Normal Mode On, Idle Mode On, Sleep Out	Yes																								
Partial Mode On, Idle Mode Off, Sleep Out	Yes																								
Partial Mode On, Idle Mode On, Sleep Out	Yes																								
Sleep In	Yes																								
Default	<table border="1" style="width: 100%; border-collapse: collapse;"> <thead> <tr> <th>Status</th> <th>Default Value</th> </tr> </thead> <tbody> <tr> <td>Power On Sequence</td> <td>Display Inversion off</td> </tr> <tr> <td>SW Reset</td> <td>Display Inversion off</td> </tr> <tr> <td>HW Reset</td> <td>Display Inversion off</td> </tr> </tbody> </table>													Status	Default Value	Power On Sequence	Display Inversion off	SW Reset	Display Inversion off	HW Reset	Display Inversion off				
Status	Default Value																								
Power On Sequence	Display Inversion off																								
SW Reset	Display Inversion off																								
HW Reset	Display Inversion off																								
Flow Chart	<div style="display: flex; align-items: center;"> <div style="flex: 1;"> <pre> graph TD     A([Display Inversion OFF Mode]) --&gt; B[INVON (21h)]     B --&gt; C([Display Inversion ON Mode])             </pre> </div> <div style="flex: 1; border: 1px dashed black; padding: 5px;"> <p><b>Legend</b></p> <ul style="list-style-type: none"> <li><span style="border: 1px solid black; padding: 2px;">Command</span></li> <li><span style="border: 1px solid black; padding: 2px;">Parameter</span></li> <li><span style="border: 1px solid black; padding: 2px;">Display</span></li> <li><span style="border: 1px solid black; padding: 2px;">Action</span></li> <li><span style="border: 1px solid black; padding: 2px;">Mode</span></li> <li><span style="border: 1px solid black; padding: 2px;">Sequential transfer</span></li> </ul> </div> </div>																								

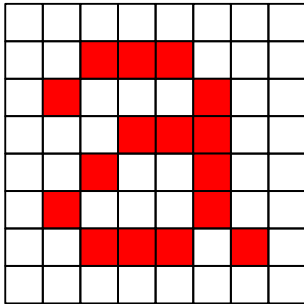
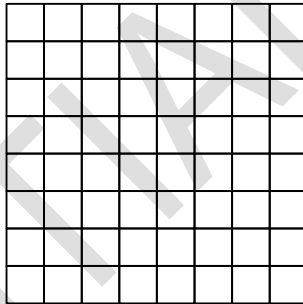
## ALLPOFF (2200H): All Pixel Off

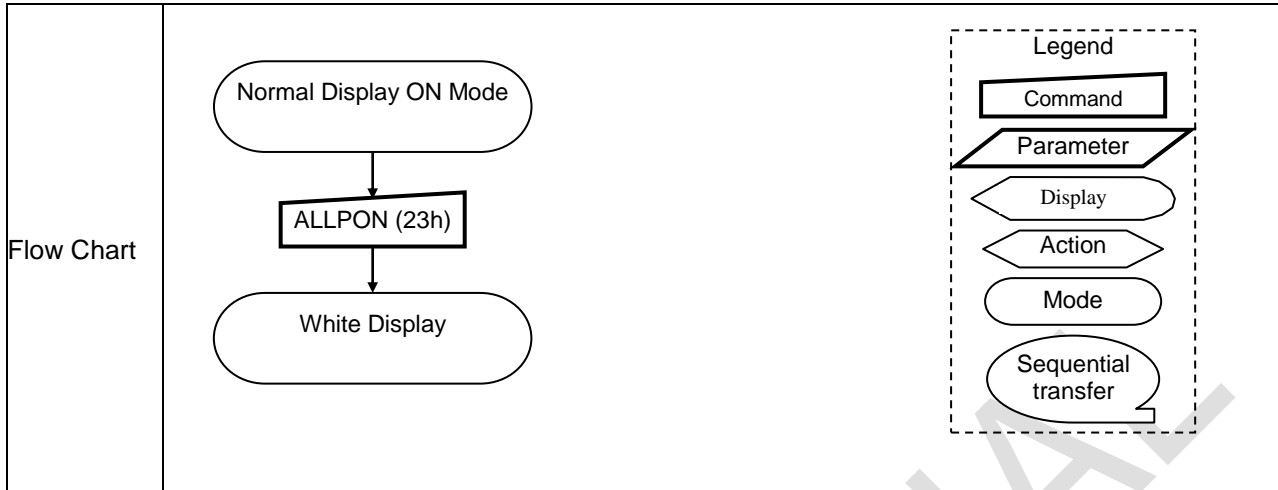
2200H		ALLPOFF																							
Inst/Para	R/W	Address		D15-8	D7	D6	D5	D4	D3	D2	D1	D0	HEX												
		MIPI	Other																						
ALLPOFF	W	22h	2200h	No Argument																					
Description	<p>This command turns the display panel black in Sleep Out mode and a status of the Display On/Off register can be on or off. This command does not change any other status.</p> <div style="display: flex; justify-content: space-around; align-items: center;"> <div style="text-align: center;"> <p><b>Input Image</b></p>  </div> <div style="font-size: 2em;">→</div> <div style="text-align: center;"> <p><b>Display Panel</b></p>  </div> </div> <p>“All Pixels On”, “Normal Display Mode On” or “Partial Mode On” commands are used to leave this mode. The display panel is showing the content of the Input Image after “Normal Display On” and “Partial Mode On” commands.</p>																								
	Restriction	-																							
Register Availability	<table border="1" style="width: 100%; border-collapse: collapse;"> <thead> <tr> <th>Status</th> <th>Availability</th> </tr> </thead> <tbody> <tr> <td>Normal Mode On, Idle Mode Off, Sleep Out</td> <td>Yes</td> </tr> <tr> <td>Normal Mode On, Idle Mode On, Sleep Out</td> <td>Yes</td> </tr> <tr> <td>Partial Mode On, Idle Mode Off, Sleep Out</td> <td>Yes</td> </tr> <tr> <td>Partial Mode On, Idle Mode On, Sleep Out</td> <td>Yes</td> </tr> <tr> <td>Sleep In</td> <td>Yes</td> </tr> </tbody> </table>													Status	Availability	Normal Mode On, Idle Mode Off, Sleep Out	Yes	Normal Mode On, Idle Mode On, Sleep Out	Yes	Partial Mode On, Idle Mode Off, Sleep Out	Yes	Partial Mode On, Idle Mode On, Sleep Out	Yes	Sleep In	Yes
Status	Availability																								
Normal Mode On, Idle Mode Off, Sleep Out	Yes																								
Normal Mode On, Idle Mode On, Sleep Out	Yes																								
Partial Mode On, Idle Mode Off, Sleep Out	Yes																								
Partial Mode On, Idle Mode On, Sleep Out	Yes																								
Sleep In	Yes																								
Default	<table border="1" style="width: 100%; border-collapse: collapse;"> <thead> <tr> <th>Status</th> <th>Default Value</th> </tr> </thead> <tbody> <tr> <td>Power On Sequence</td> <td>Display Inversion off</td> </tr> <tr> <td>SW Reset</td> <td>Display Inversion off</td> </tr> <tr> <td>HW Reset</td> <td>Display Inversion off</td> </tr> </tbody> </table>													Status	Default Value	Power On Sequence	Display Inversion off	SW Reset	Display Inversion off	HW Reset	Display Inversion off				
Status	Default Value																								
Power On Sequence	Display Inversion off																								
SW Reset	Display Inversion off																								
HW Reset	Display Inversion off																								



CONFIDENTIAL

## ALLPON (2300H): All Pixel On

2300H		ALLPON																							
Inst/Para	R/W	Address		D15-8	D7	D6	D5	D4	D3	D2	D1	D0	HEX												
		MIPI	Other																						
ALLPON	W	23h	2300h	No Argument																					
Description	<p>This command turns the display panel white in Sleep Out mode and a status of the Display On/Off register can be on or off. This command does not change any other status.</p> <div style="display: flex; justify-content: space-around; align-items: center;"> <div style="text-align: center;"> <p><b>Input Image</b></p>  </div> <div style="font-size: 2em;">→</div> <div style="text-align: center;"> <p><b>Display Panel</b></p>  </div> </div> <p>“All Pixels Off”, “Normal Display Mode On” or “Partial Mode On” commands are used to leave this mode. The display panel is showing the content of the Input Image after “Normal Display On” and “Partial Mode On” commands.</p>																								
	Restriction	-																							
Register Availability	<table border="1" style="width: 100%; border-collapse: collapse;"> <thead> <tr> <th>Status</th> <th>Availability</th> </tr> </thead> <tbody> <tr> <td>Normal Mode On, Idle Mode Off, Sleep Out</td> <td>Yes</td> </tr> <tr> <td>Normal Mode On, Idle Mode On, Sleep Out</td> <td>Yes</td> </tr> <tr> <td>Partial Mode On, Idle Mode Off, Sleep Out</td> <td>Yes</td> </tr> <tr> <td>Partial Mode On, Idle Mode On, Sleep Out</td> <td>Yes</td> </tr> <tr> <td>Sleep In</td> <td>Yes</td> </tr> </tbody> </table>													Status	Availability	Normal Mode On, Idle Mode Off, Sleep Out	Yes	Normal Mode On, Idle Mode On, Sleep Out	Yes	Partial Mode On, Idle Mode Off, Sleep Out	Yes	Partial Mode On, Idle Mode On, Sleep Out	Yes	Sleep In	Yes
	Status	Availability																							
Normal Mode On, Idle Mode Off, Sleep Out	Yes																								
Normal Mode On, Idle Mode On, Sleep Out	Yes																								
Partial Mode On, Idle Mode Off, Sleep Out	Yes																								
Partial Mode On, Idle Mode On, Sleep Out	Yes																								
Sleep In	Yes																								
Default	<table border="1" style="width: 100%; border-collapse: collapse;"> <thead> <tr> <th>Status</th> <th>Default Value</th> </tr> </thead> <tbody> <tr> <td>Power On Sequence</td> <td>Display Inversion off</td> </tr> <tr> <td>SW Reset</td> <td>Display Inversion off</td> </tr> <tr> <td>HW Reset</td> <td>Display Inversion off</td> </tr> </tbody> </table>													Status	Default Value	Power On Sequence	Display Inversion off	SW Reset	Display Inversion off	HW Reset	Display Inversion off				
Status	Default Value																								
Power On Sequence	Display Inversion off																								
SW Reset	Display Inversion off																								
HW Reset	Display Inversion off																								



CONFIDENTIAL

## DISPOFF (2800h): Display Off

2800H		DISPOFF (Display Off)																							
Inst/Para	R/W	Address		D15-8	D7	D6	D5	D4	D3	D2	D1	D0	HEX												
		MIPI	Other																						
DISPOFF	W	28h	2800h	No Argument																					
Description	<p>This command causes the display module to stop displaying the image data on the display device. No status bits are changed.</p> <div style="display: flex; justify-content: space-around; align-items: center;"> <div style="text-align: center;"> <p><b>Input Image</b></p> </div> <div style="font-size: 2em;">→</div> <div style="text-align: center;"> <p><b>Display Panel</b></p> </div> </div>																								
Restriction	This command has no effect when module is already in display off mode.																								
Register Availability	<table border="1" style="width: 100%; border-collapse: collapse;"> <thead> <tr> <th>Status</th> <th>Availability</th> </tr> </thead> <tbody> <tr> <td>Normal Mode On, Idle Mode Off, Sleep Out</td> <td>Yes</td> </tr> <tr> <td>Normal Mode On, Idle Mode On, Sleep Out</td> <td>Yes</td> </tr> <tr> <td>Partial Mode On, Idle Mode Off, Sleep Out</td> <td>Yes</td> </tr> <tr> <td>Partial Mode On, Idle Mode On, Sleep Out</td> <td>Yes</td> </tr> <tr> <td>Sleep In</td> <td>Yes</td> </tr> </tbody> </table>													Status	Availability	Normal Mode On, Idle Mode Off, Sleep Out	Yes	Normal Mode On, Idle Mode On, Sleep Out	Yes	Partial Mode On, Idle Mode Off, Sleep Out	Yes	Partial Mode On, Idle Mode On, Sleep Out	Yes	Sleep In	Yes
Status	Availability																								
Normal Mode On, Idle Mode Off, Sleep Out	Yes																								
Normal Mode On, Idle Mode On, Sleep Out	Yes																								
Partial Mode On, Idle Mode Off, Sleep Out	Yes																								
Partial Mode On, Idle Mode On, Sleep Out	Yes																								
Sleep In	Yes																								
Default	<table border="1" style="width: 100%; border-collapse: collapse;"> <thead> <tr> <th>Status</th> <th>Default Value</th> </tr> </thead> <tbody> <tr> <td>Power On Sequence</td> <td>Display Off</td> </tr> <tr> <td>SW Reset</td> <td>Display Off</td> </tr> <tr> <td>HW Reset</td> <td>Display Off</td> </tr> </tbody> </table>													Status	Default Value	Power On Sequence	Display Off	SW Reset	Display Off	HW Reset	Display Off				
Status	Default Value																								
Power On Sequence	Display Off																								
SW Reset	Display Off																								
HW Reset	Display Off																								
Flow Chart	<div style="display: flex; align-items: center;"> <div style="flex: 1;"> <pre> graph TD     A([Display On Mode]) --&gt; B[DISPOFF (28h)]     B --&gt; C([Display OFF Mode])             </pre> </div> <div style="flex: 0.5; border: 1px dashed black; padding: 5px;"> <p>Legend</p> <ul style="list-style-type: none"> <li>Command: </li> <li>Parameter: </li> <li>Display: </li> <li>Action: </li> <li>Mode: </li> <li>Sequential transfer: </li> </ul> </div> </div>																								

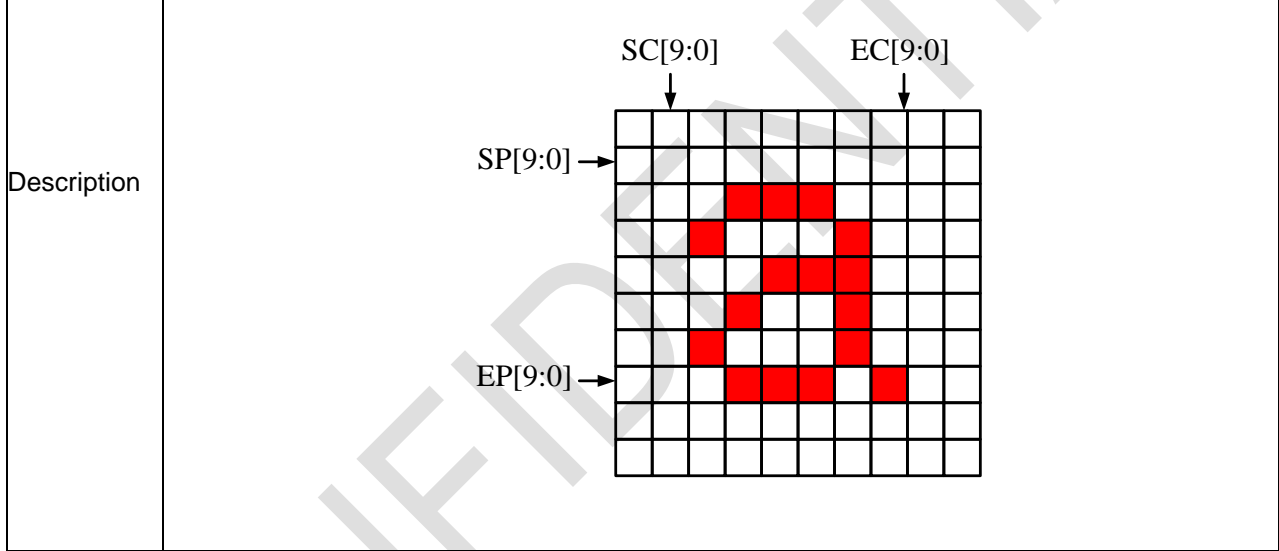
## DISPON (2900h): Display On

2900H		DISPON (Display On)																							
Inst/Para	R/W	Address		D15-8	D7	D6	D5	D4	D3	D2	D1	D0	HEX												
		MIPI	Other																						
DISPON	W	29h	2900h	No Argument																					
Description	<p>This command causes the display module to start displaying the image data on the display device. No status bits are changed.</p> <div style="display: flex; justify-content: space-around; align-items: center;"> <div style="text-align: center;"> <p><b>Input Image</b></p> </div> <div style="font-size: 2em; margin: 0 20px;">→</div> <div style="text-align: center;"> <p><b>Display Panel</b></p> </div> </div>																								
Restriction	This command has no effect when module is already in display on mode.																								
Register Availability	<table border="1" style="width: 100%; border-collapse: collapse;"> <thead> <tr> <th>Status</th> <th>Availability</th> </tr> </thead> <tbody> <tr> <td>Normal Mode On, Idle Mode Off, Sleep Out</td> <td>Yes</td> </tr> <tr> <td>Normal Mode On, Idle Mode On, Sleep Out</td> <td>Yes</td> </tr> <tr> <td>Partial Mode On, Idle Mode Off, Sleep Out</td> <td>Yes</td> </tr> <tr> <td>Partial Mode On, Idle Mode On, Sleep Out</td> <td>Yes</td> </tr> <tr> <td>Sleep In</td> <td>Yes</td> </tr> </tbody> </table>													Status	Availability	Normal Mode On, Idle Mode Off, Sleep Out	Yes	Normal Mode On, Idle Mode On, Sleep Out	Yes	Partial Mode On, Idle Mode Off, Sleep Out	Yes	Partial Mode On, Idle Mode On, Sleep Out	Yes	Sleep In	Yes
Status	Availability																								
Normal Mode On, Idle Mode Off, Sleep Out	Yes																								
Normal Mode On, Idle Mode On, Sleep Out	Yes																								
Partial Mode On, Idle Mode Off, Sleep Out	Yes																								
Partial Mode On, Idle Mode On, Sleep Out	Yes																								
Sleep In	Yes																								
Default	<table border="1" style="width: 100%; border-collapse: collapse;"> <thead> <tr> <th>Status</th> <th>Default Value</th> </tr> </thead> <tbody> <tr> <td>Power On Sequence</td> <td>Display Off</td> </tr> <tr> <td>SW Reset</td> <td>Display Off</td> </tr> <tr> <td>HW Reset</td> <td>Display Off</td> </tr> </tbody> </table>													Status	Default Value	Power On Sequence	Display Off	SW Reset	Display Off	HW Reset	Display Off				
Status	Default Value																								
Power On Sequence	Display Off																								
SW Reset	Display Off																								
HW Reset	Display Off																								
Flow Chart	<div style="display: flex; align-items: center;"> <div style="flex: 1;"> <pre> graph TD     A([Display OFF Mode]) --&gt; B[DISPON (29h)]     B --&gt; C([Display ON Mode])             </pre> </div> <div style="flex: 1; border: 1px dashed black; padding: 5px;"> <p style="text-align: center;">Legend</p> <ul style="list-style-type: none"> <li>Command: [Rectangle]</li> <li>Parameter: [Trapezoid]</li> <li>Display: [Oval]</li> <li>Action: [Arrow]</li> <li>Mode: [Oval]</li> <li>Sequential transfer: [Oval with tail]</li> </ul> </div> </div>																								

## CASET(2A00h~2A03h) : Set Column Start Address

Inst/Para	R/W	CASET											HEX	
		Address		D15-8	D7	D6	D5	D4	D3	D2	D1	D0		
		MIPI	Other											
CASET	W/R	2Ah	2A00h	x	-	-	-	-	-	-	-	SC9	SC8	00
			2A01h	x	SC7	SC6	SC5	SC4	SC3	SC2	SC1	SC0	00	
			2A02h	x	-	-	-	-	-	-	-	EC9	EC8	01
			2A03h	x	EC7	EC6	EC5	EC4	EC3	EC2	EC1	EC0	8F	

This command defines the column extent of the frame memory accessed by the host processor with the read\_memory\_continue and write\_memory\_continue commands. This command makes no change on the other driver status. The values of SC[9:0] and EC[9:0] are referred when RAMWR command comes. Each value represents one column line in the Frame Memory.

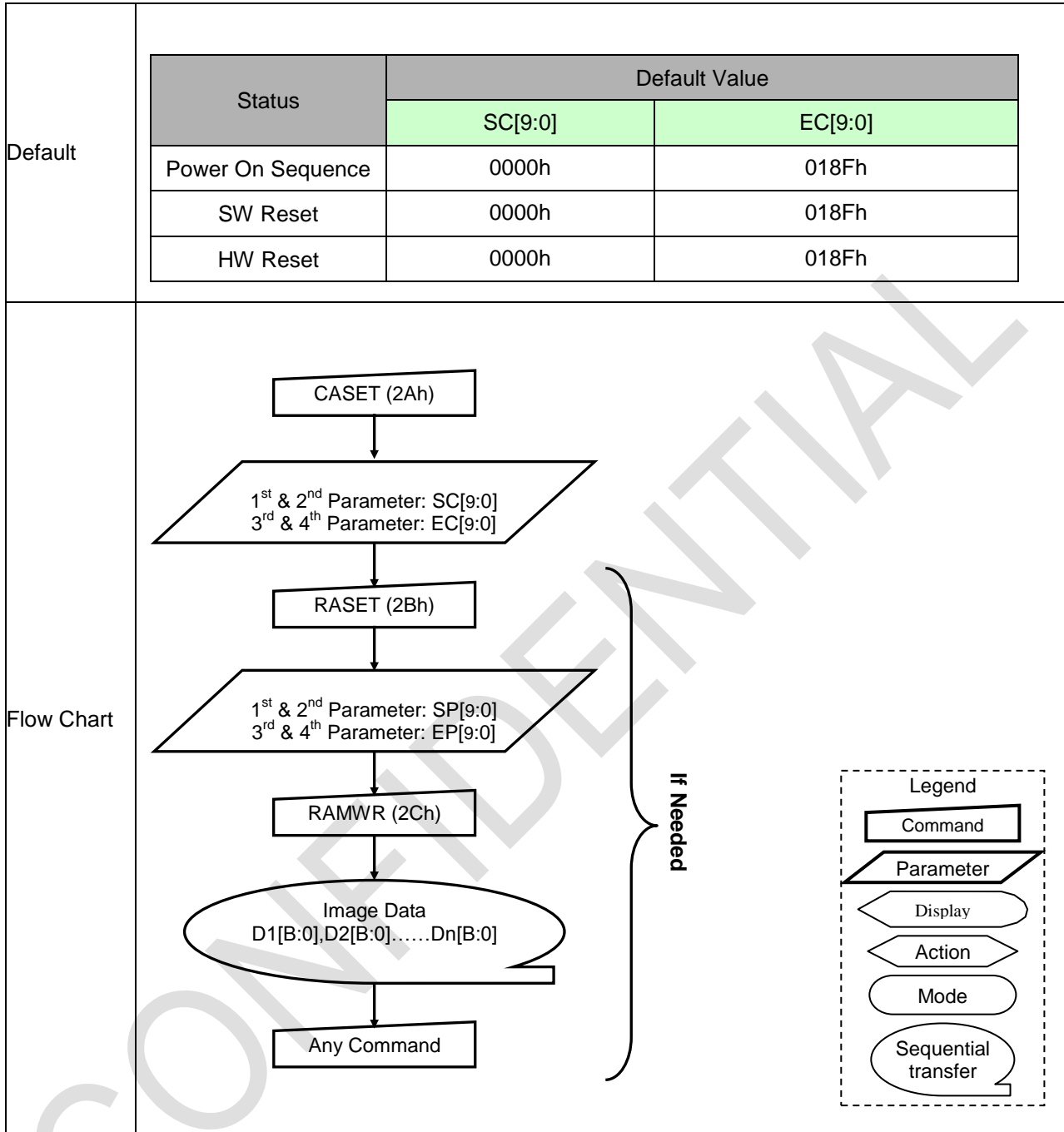


**Restriction**

(1) SC[9:0] always must be equal to or less than EC[9:0].  
 (2) The SC[9:0] and EC[9:0]-SC[9:0]+1 must can be divisible by 2.

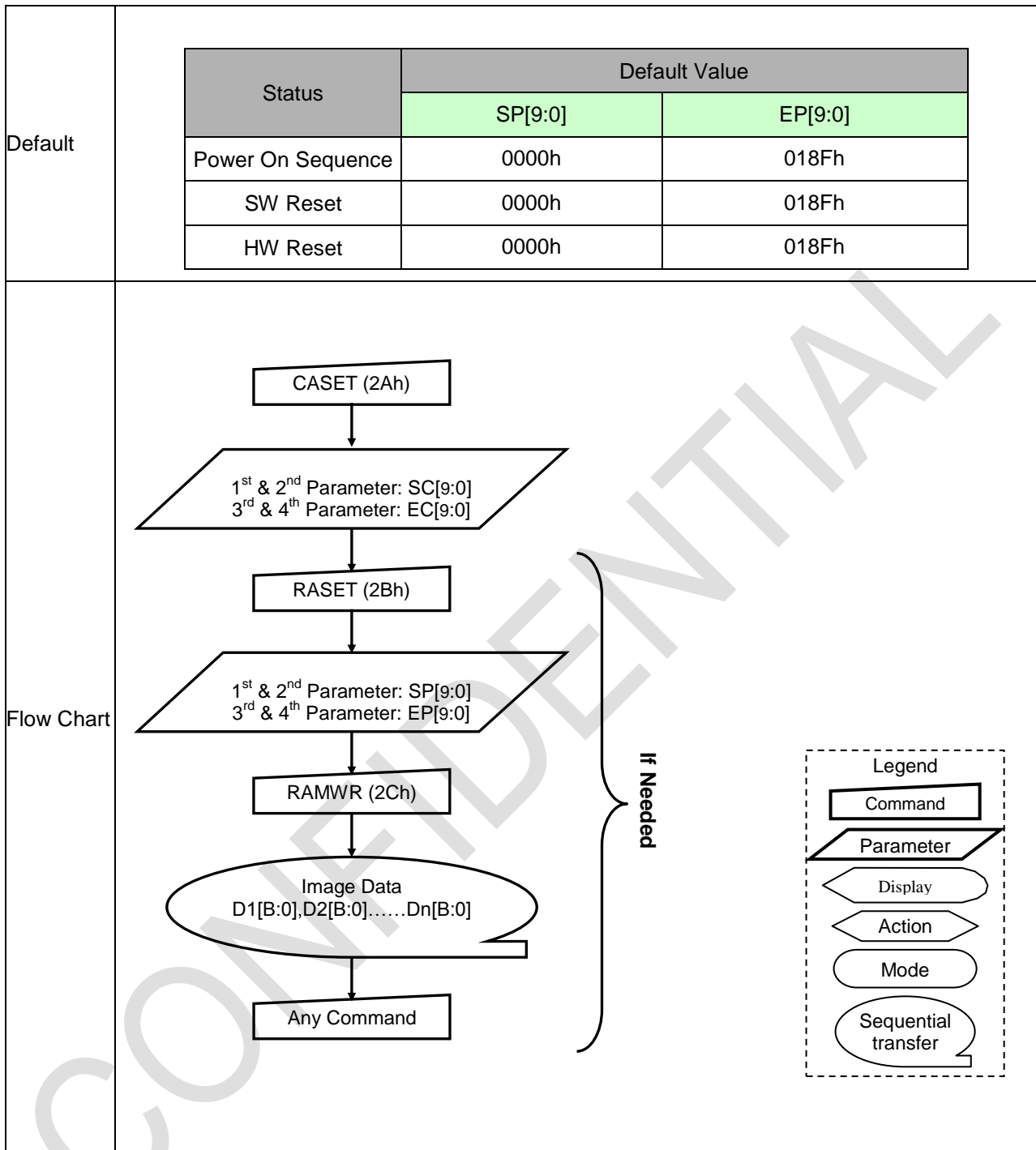
**Register Availability**

Status	Availability
Normal Mode On, Idle Mode Off, Sleep Out	Yes
Normal Mode On, Idle Mode On, Sleep Out	Yes
Partial Mode On, Idle Mode Off, Sleep Out	Yes
Partial Mode On, Idle Mode On, Sleep Out	Yes
Sleep In	Yes



## RASET(2B00h~2B03h) : Set Row Start Address

2B00H		RASET																							
Inst/Para	R/W	Address		D15-8	D7	D6	D5	D4	D3	D2	D1	D0	HEX												
		MIPI	Other																						
RASET	W/R	2Bh	2B00h	x	-	-	-	-	-	-	-	SP9	SP8	00											
			2B01h	x	SP7	SP6	SP5	SP4	SP3	SP2	SP1	SP0	00												
			2B02h	x	-	-	-	-	-	-	-	EP9	EP8	01											
			2B03h	x	EP7	EP6	EP5	EP4	EP3	EP2	EP1	EP0	8F												
Description	<p>This command defines the page extent of the frame memory accessed by the host processor with the write_memory_continue and read_memory_continue command. This command makes no change on the other driver status. The values of SP[9:0] and EP[9:0] are referred when RAMWR command comes. Each value represents one Page line in the Frame Memory.</p>																								
Restriction	<p>(1) SP[9:0] always must be equal to or less than EP[9:0]                  (2) The SP[9:0] and EP[9:0]-SP[9:0]+1 must can be divisible by 2.</p>																								
Register Availability	<table border="1"> <thead> <tr> <th>Status</th> <th>Availability</th> </tr> </thead> <tbody> <tr> <td>Normal Mode On, Idle Mode Off, Sleep Out</td> <td>Yes</td> </tr> <tr> <td>Normal Mode On, Idle Mode On, Sleep Out</td> <td>Yes</td> </tr> <tr> <td>Partial Mode On, Idle Mode Off, Sleep Out</td> <td>Yes</td> </tr> <tr> <td>Partial Mode On, Idle Mode On, Sleep Out</td> <td>Yes</td> </tr> <tr> <td>Sleep In</td> <td>Yes</td> </tr> </tbody> </table>													Status	Availability	Normal Mode On, Idle Mode Off, Sleep Out	Yes	Normal Mode On, Idle Mode On, Sleep Out	Yes	Partial Mode On, Idle Mode Off, Sleep Out	Yes	Partial Mode On, Idle Mode On, Sleep Out	Yes	Sleep In	Yes
Status	Availability																								
Normal Mode On, Idle Mode Off, Sleep Out	Yes																								
Normal Mode On, Idle Mode On, Sleep Out	Yes																								
Partial Mode On, Idle Mode Off, Sleep Out	Yes																								
Partial Mode On, Idle Mode On, Sleep Out	Yes																								
Sleep In	Yes																								



## RAMWR (2C00h): Memory Write

2C00H		RAMWR																						
Inst/Para	R/W	Address		D15-8	D7	D6	D5	D4	D3	D2	D1	D0	HEX											
		MIPI	Other																					
RAMWR	R/W	2Ch	2C00h	X	0	0	1	0	1	1	0	0	2C											
			1 <sup>st</sup> Pixel	X	D <sub>17</sub>	D <sub>16</sub>	D <sub>15</sub>	D <sub>14</sub>	D <sub>13</sub>	D <sub>12</sub>	D <sub>11</sub>	D <sub>10</sub>												
			:	X	:	:	:	:	:	:	:	:												
			N <sup>th</sup> Pixel	X	D <sub>N7</sub>	D <sub>N6</sub>	D <sub>N5</sub>	D <sub>N4</sub>	D <sub>N3</sub>	D <sub>N2</sub>	D <sub>N1</sub>	D <sub>N0</sub>												
Description	<p>This command transfers image data from the host processor to the display module's frame memory starting at the pixel location specified by preceding CASET (2Ah) and RASET (2Bh) commands.</p> <p>If MV(36h-B5) = 0: The column and page registers are reset to the Start Column (SC) and Start Page (SP), respectively. Pixel Data 1 is stored in frame memory at (SC, SP). The column register is then incremented and pixels are written to the frame memory until the column register equals the End Column (EC) value. The column register is then reset to SC and the page register is incremented. Pixels are written to the frame memory until the page register equals the End Page (EP) value or the host processor sends another command.</p> <p>If MV(36h-B5) = 1: The column and page registers are reset to the Start Column (SC) and Start Page (SP), respectively. Pixel Data 1 is stored in frame memory at (SC, SP). The page register is then incremented and pixels are written to the frame memory until the page register equals the End Page (EP) value. The page register is then reset to SP and the column register is incremented. Pixels are written to the frame memory until the column register equals the End column (EC) value or the host processor sends another command.</p>																							
Restriction	A Memory Write should follow a CASET(2Ah), RASET(2Bh) or MADCTR(36h) to define the write location. Otherwise, data written with RAMWR(2Ch) and any following RAMWRC(3Ch) commands is written to undefined locations.																							
Register Availability	<table border="1"> <thead> <tr> <th>Status</th> <th>Availability</th> </tr> </thead> <tbody> <tr> <td>Normal Mode On, Idle Mode Off, Sleep Out</td> <td>Yes</td> </tr> <tr> <td>Normal Mode On, Idle Mode On, Sleep Out</td> <td>Yes</td> </tr> <tr> <td>Partial Mode On, Idle Mode Off, Sleep Out</td> <td>Yes</td> </tr> <tr> <td>Partial Mode On, Idle Mode On, Sleep Out</td> <td>Yes</td> </tr> <tr> <td>Sleep In</td> <td>Yes</td> </tr> </tbody> </table>												Status	Availability	Normal Mode On, Idle Mode Off, Sleep Out	Yes	Normal Mode On, Idle Mode On, Sleep Out	Yes	Partial Mode On, Idle Mode Off, Sleep Out	Yes	Partial Mode On, Idle Mode On, Sleep Out	Yes	Sleep In	Yes
Status	Availability																							
Normal Mode On, Idle Mode Off, Sleep Out	Yes																							
Normal Mode On, Idle Mode On, Sleep Out	Yes																							
Partial Mode On, Idle Mode Off, Sleep Out	Yes																							
Partial Mode On, Idle Mode On, Sleep Out	Yes																							
Sleep In	Yes																							

Default	Status	Default Value
	Power On Sequence	Contents of memory is set randomly
	SW Reset	Contents of memory is not cleared
	HW Reset	Contents of memory is not cleared
Flow chart	<pre> graph TD     A[RAMWR (2Ch)] --&gt; B(Image Data D1[B:0], D2[B:0], ..... Dn[B:0])     B --&gt; C[Any Command]     </pre> <p><b>Legend</b></p> <ul style="list-style-type: none"> <li>Command: Rectangle</li> <li>Parameter: Parallelogram</li> <li>Display: Oval</li> <li>Action: Arrowhead</li> <li>Mode: Rounded rectangle</li> <li>Sequential transfer: Oval with tail</li> </ul>	

CONFIDENTIAL

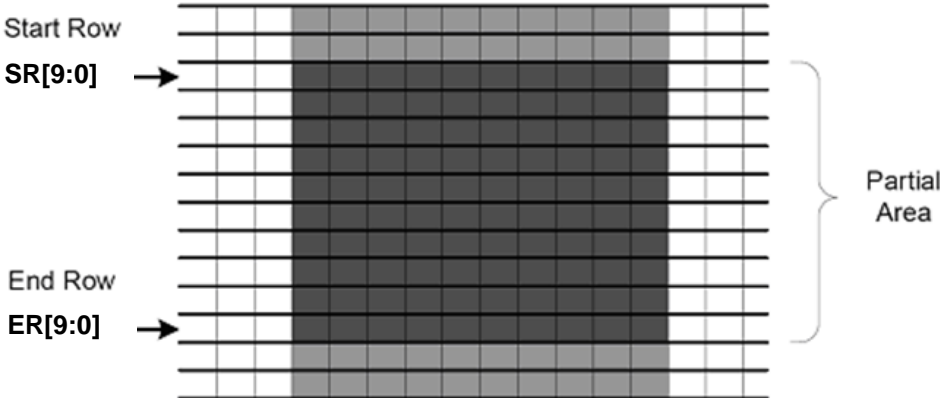
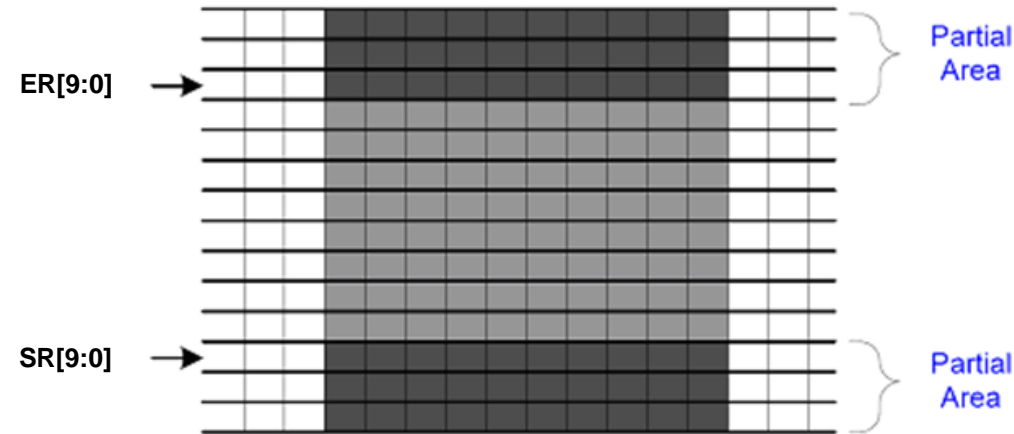
## RAMRD (2E00h): Memory Read

2E00H		RAMRD																						
Inst/Para	R/W	Address		D15-8	D7	D6	D5	D4	D3	D2	D1	D0	HEX											
		MIPI	Other																					
RAMRD	R/W	2Eh	2E00h	X	0	0	1	0	1	1	1	0	2E											
			1 <sup>st</sup> Pixel	X	D <sub>17</sub>	D <sub>16</sub>	D <sub>15</sub>	D <sub>14</sub>	D <sub>13</sub>	D <sub>12</sub>	D <sub>11</sub>	D <sub>10</sub>												
			:	X	:	:	:	:	:	:	:	:												
			N <sup>th</sup> Pixel	X	D <sub>N7</sub>	D <sub>N6</sub>	D <sub>N5</sub>	D <sub>N4</sub>	D <sub>N3</sub>	D <sub>N2</sub>	D <sub>N1</sub>	D <sub>N0</sub>												
Description	<p>This command transfers image data from the display module's frame memory to the host processor starting at the pixel location specified by preceding CASET (2Ah) and RASET (2Bh) commands.</p> <p>If MV(36h-B5) = 0: The column and page registers are reset to the Start Column (SC) and Start Page (SP), respectively. Pixels are read from frame memory at (SC, SP). The column register is then incremented and pixels read from the frame memory until the column register equals the End Column (EC) value. The column register is then reset to SC and the page register is incremented. Pixels are read from the frame memory until the page register equals the End Page (EP) value or the host processor sends another command.</p> <p>If MV(36h-B5) = 1: The column and page registers are reset to the Start Column (SC) and Start Page (SP), respectively. Pixels are read from frame memory at (SC, SP). The page register is then incremented and pixels read from the frame memory until the page register equals the End Page (EP) value. The page register is then reset to SP and the column register is incremented. Pixels are read from the frame memory until the column register equals the End Column (EC) value or the host processor sends another command.</p>																							
Restriction	There is no restriction on length of parameters.																							
Register Availability	<table border="1"> <thead> <tr> <th>Status</th> <th>Availability</th> </tr> </thead> <tbody> <tr> <td>Normal Mode On, Idle Mode Off, Sleep Out</td> <td>Yes</td> </tr> <tr> <td>Normal Mode On, Idle Mode On, Sleep Out</td> <td>Yes</td> </tr> <tr> <td>Partial Mode On, Idle Mode Off, Sleep Out</td> <td>Yes</td> </tr> <tr> <td>Partial Mode On, Idle Mode On, Sleep Out</td> <td>Yes</td> </tr> <tr> <td>Sleep In</td> <td>Yes</td> </tr> </tbody> </table>												Status	Availability	Normal Mode On, Idle Mode Off, Sleep Out	Yes	Normal Mode On, Idle Mode On, Sleep Out	Yes	Partial Mode On, Idle Mode Off, Sleep Out	Yes	Partial Mode On, Idle Mode On, Sleep Out	Yes	Sleep In	Yes
Status	Availability																							
Normal Mode On, Idle Mode Off, Sleep Out	Yes																							
Normal Mode On, Idle Mode On, Sleep Out	Yes																							
Partial Mode On, Idle Mode Off, Sleep Out	Yes																							
Partial Mode On, Idle Mode On, Sleep Out	Yes																							
Sleep In	Yes																							

Default	<table border="1"> <thead> <tr> <th>Status</th> <th>Default Value</th> </tr> </thead> <tbody> <tr> <td>Power On Sequence</td> <td>Contents of memory is set randomly</td> </tr> <tr> <td>SW Reset</td> <td>Contents of memory is not cleared</td> </tr> <tr> <td>HW Reset</td> <td>Contents of memory is not cleared</td> </tr> </tbody> </table>	Status	Default Value	Power On Sequence	Contents of memory is set randomly	SW Reset	Contents of memory is not cleared	HW Reset	Contents of memory is not cleared
Status	Default Value								
Power On Sequence	Contents of memory is set randomly								
SW Reset	Contents of memory is not cleared								
HW Reset	Contents of memory is not cleared								
Flow chart	<pre> graph TD     A[RAMRD (2Eh)] --&gt; B[/Dummy Read/]     B --&gt; C([Image Data D1[B:0], D2[B:0], ..., Dn[B:0]])     C --&gt; D[Any Command]     </pre> <p><b>Legend</b></p> <ul style="list-style-type: none"> <li>Command: Rectangle</li> <li>Parameter: Parallelogram</li> <li>Display: Oval</li> <li>Action: Arrowhead</li> <li>Mode: Rounded rectangle</li> <li>Sequential transfer: Oval with tail</li> </ul>								

CONFIDENTIAL

## PTLAR (3000h): Partial Area

3000H		PTLAR (Partial Area)											
Inst/Para	R/W	Address		D15-8	D7	D6	D5	D4	D3	D2	D1	D0	HEX
		MIPI	Other										
PTLAR	R/W	30h	3000h	x	-	-	-	-	-	-	SR9	SR8	00
			3001h	x	SR7	SR6	SR5	SR4	SR3	SR2	SR1	SR0	00
			3002h	x	-	-	-	-	-	-	ER9	ER8	01
			3003h	x	ER7	ER6	ER5	ER4	ER3	ER2	ER1	ER0	8F
Description	<p>This command defines the Partial Display mode's display area. There are two parameters associated with this command, the first defines the Start Row (SR) and the second the End Row (ER), as illustrated in the following figure.</p> <p>If End Row &gt; Start Row</p>  <p>If End Row &lt; Start Row</p>  <p>If End Row = Start Row then the Partial Area will be one row deep.</p>												
	Restriction	SR[9:0] and ER[9:0] settings should be within max available Display Area.											

Register Availability	<table border="1"> <thead> <tr> <th>Status</th> <th>Availability</th> </tr> </thead> <tbody> <tr> <td>Normal Mode On, Idle Mode Off, Sleep Out</td> <td>Yes</td> </tr> <tr> <td>Normal Mode On, Idle Mode On, Sleep Out</td> <td>Yes</td> </tr> <tr> <td>Partial Mode On, Idle Mode Off, Sleep Out</td> <td>Yes</td> </tr> <tr> <td>Partial Mode On, Idle Mode On, Sleep Out</td> <td>Yes</td> </tr> <tr> <td>Sleep In</td> <td>Yes</td> </tr> </tbody> </table>	Status	Availability	Normal Mode On, Idle Mode Off, Sleep Out	Yes	Normal Mode On, Idle Mode On, Sleep Out	Yes	Partial Mode On, Idle Mode Off, Sleep Out	Yes	Partial Mode On, Idle Mode On, Sleep Out	Yes	Sleep In	Yes		
Status	Availability														
Normal Mode On, Idle Mode Off, Sleep Out	Yes														
Normal Mode On, Idle Mode On, Sleep Out	Yes														
Partial Mode On, Idle Mode Off, Sleep Out	Yes														
Partial Mode On, Idle Mode On, Sleep Out	Yes														
Sleep In	Yes														
Default	<table border="1"> <thead> <tr> <th rowspan="2">Status</th> <th colspan="2">Default Value</th> </tr> <tr> <th>SR[9:0]</th> <th>ER[9:0]</th> </tr> </thead> <tbody> <tr> <td>Power On Sequence</td> <td>0000h</td> <td>018Fh</td> </tr> <tr> <td>SW Reset</td> <td>0000h</td> <td>018Fh</td> </tr> <tr> <td>HW Reset</td> <td>0000h</td> <td>018Fh</td> </tr> </tbody> </table>	Status	Default Value		SR[9:0]	ER[9:0]	Power On Sequence	0000h	018Fh	SW Reset	0000h	018Fh	HW Reset	0000h	018Fh
Status	Default Value														
	SR[9:0]	ER[9:0]													
Power On Sequence	0000h	018Fh													
SW Reset	0000h	018Fh													
HW Reset	0000h	018Fh													
Flow chart	<div style="display: flex; justify-content: space-around;"> <div style="width: 45%;"> <p>1. To Enter Partial Mode</p> <pre> graph TD     A[PTLAR 30h] --&gt; B[/1st &amp; 2nd Parameter: SR[9:0]/]     B --&gt; C[/3rd &amp; 4th Parameter: ER[9:0]/]     C --&gt; D[PTLON 12h]     D --&gt; E([Partial Mode])                     </pre> </div> <div style="width: 45%;"> <p>2. To Exit Partial Mode</p> <pre> graph TD     F([Partial Mode]) --&gt; G[DISPOFF 28h]     G --&gt; H[NORON 13h]     H --&gt; I([Partial Mode OFF])     I --&gt; J([Image Data D1[B:0], D2[B:0]... ...Dn[B:0]])     J --&gt; K[DISON 29h]                     </pre> </div> </div> <div style="margin-top: 20px;"> <p>Optional to prevent tearing effect image display</p> <pre> graph TD     G -.-&gt; L[Optional to prevent tearing effect image display]                     </pre> </div> <div style="margin-top: 20px;"> <p>Legend</p> <ul style="list-style-type: none"> <li>Command</li> <li>Parameter</li> <li>Display</li> <li>Action</li> <li>Mode</li> <li>Sequential transfer</li> </ul> </div> <p>Note : B=23</p>														

## PTLAR (3100h): Vertical Partial Area

3000H		PTLAR (Partial Area)											
Inst/Para	R/W	Address		D15-8	D7	D6	D5	D4	D3	D2	D1	D0	HEX
		MIPI	Other										
PTLAR	R/W	30h	3100h	x	-	-	-	-	-	-	-	SC8	00
			3101h	x	SC7	SC6	SC5	SC4	SC3	SC2	SC1	SC0	00
			3102h	x	-	-	-	-	-	-	-	EC8	01
			3103h	x	EC7	EC6	EC5	EC4	EC3	EC2	EC1	EC0	8F

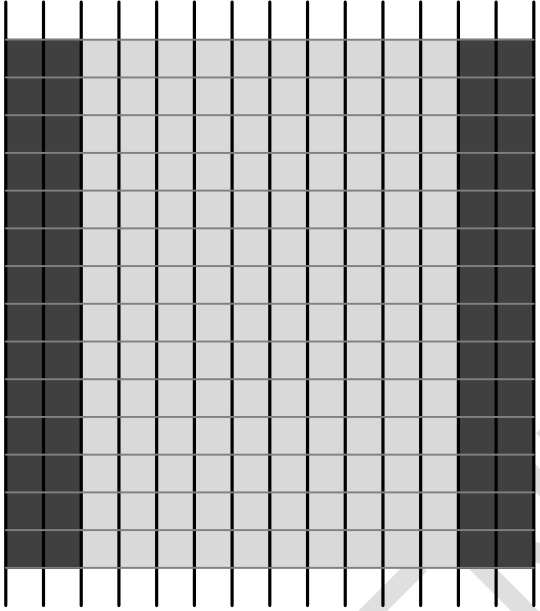
This command defines the Vertical Partial Display mode's display area. There are two parameters associated with this command, the first defines the Start Column (SC) and the second the End Column (EC), as illustrated in the following figure.

If End Column > Start Column

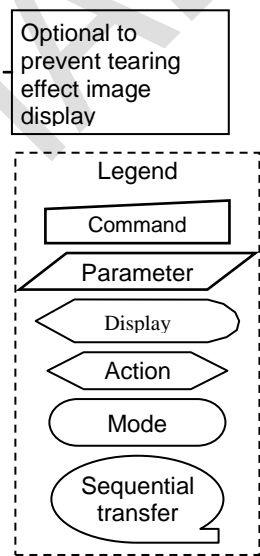
Start Column SC[9:0]                      End Column EC[9:0]

Description

If End Column < Start Column

	<div style="text-align: center;"> <p>End Column EC[9:0]</p> <p>Start Column SC[9:0]</p>  <p>Partial Area                      Partial Area</p> </div> <p>If End Column = Start Column then the Partial Area will be one column deep.</p>												
Restriction	SC[9:0] and EC[9:0] settings should be within max available Display Area.												
Register Availability	<table border="1" style="width: 100%; border-collapse: collapse;"> <thead> <tr> <th style="text-align: left;">Status</th> <th style="text-align: left;">Availability</th> </tr> </thead> <tbody> <tr> <td>Normal Mode On, Idle Mode Off, Sleep Out</td> <td>Yes</td> </tr> <tr> <td>Normal Mode On, Idle Mode On, Sleep Out</td> <td>Yes</td> </tr> <tr> <td>Partial Mode On, Idle Mode Off, Sleep Out</td> <td>Yes</td> </tr> <tr> <td>Partial Mode On, Idle Mode On, Sleep Out</td> <td>Yes</td> </tr> <tr> <td>Sleep In</td> <td>Yes</td> </tr> </tbody> </table>	Status	Availability	Normal Mode On, Idle Mode Off, Sleep Out	Yes	Normal Mode On, Idle Mode On, Sleep Out	Yes	Partial Mode On, Idle Mode Off, Sleep Out	Yes	Partial Mode On, Idle Mode On, Sleep Out	Yes	Sleep In	Yes
Status	Availability												
Normal Mode On, Idle Mode Off, Sleep Out	Yes												
Normal Mode On, Idle Mode On, Sleep Out	Yes												
Partial Mode On, Idle Mode Off, Sleep Out	Yes												
Partial Mode On, Idle Mode On, Sleep Out	Yes												
Sleep In	Yes												

Default	<table border="1"> <thead> <tr> <th rowspan="2">Status</th> <th colspan="2">Default Value</th> </tr> <tr> <th>SC[9:0]</th> <th>EC[9:0]</th> </tr> </thead> <tbody> <tr> <td>Power On Sequence</td> <td>0000h</td> <td>018Fh</td> </tr> <tr> <td>SW Reset</td> <td>0000h</td> <td>018Fh</td> </tr> <tr> <td>HW Reset</td> <td>0000h</td> <td>018Fh</td> </tr> </tbody> </table>		Status	Default Value		SC[9:0]	EC[9:0]	Power On Sequence	0000h	018Fh	SW Reset	0000h	018Fh	HW Reset	0000h	018Fh
	Status	Default Value														
		SC[9:0]	EC[9:0]													
	Power On Sequence	0000h	018Fh													
	SW Reset	0000h	018Fh													
HW Reset	0000h	018Fh														
<p>Flow chart</p> <div style="display: flex; justify-content: space-around;"> <div style="width: 45%;"> <p>1. To Enter Partial Mode</p> <pre> graph TD     A[PTLAR 30h] --&gt; B[/1st &amp; 2nd Parameter: SR[9:0]/]     B --&gt; C[/3rd &amp; 4th Parameter: ER[9:0]/]     C --&gt; D[PTLON 12h]     D --&gt; E([Partial Mode])                     </pre> </div> <div style="width: 45%;"> <p>2. To Exit Partial Mode</p> <pre> graph TD     F([Partial Mode]) --&gt; G[DISPOFF 28h]     G --&gt; H[NORON 13h]     H --&gt; I([Partial Mode OFF])     I --&gt; J([Image Data D1[B:0], D2[B:0]... Dn[B:0]])     J --&gt; K[DISON 29h]                     </pre> </div> </div> <div style="margin-top: 20px;"> <p>Note : B=23</p> </div>																



## TEOFF (3400h): Tearing Effect Line OFF

3400H		TEOFF (Tearing Effect Line OFF)																							
Inst/Para	R/W	Address		D15-8	D7	D6	D5	D4	D3	D2	D1	D0	HEX												
		MIPI	Other																						
TEOFF	W	34h	3400h	No Argument																					
Description	This command turns off the display module's Tearing Effect output signal on the TE signal line.																								
Restriction	This command has no effect when the Tearing Effect output is already off.																								
Register Availability	<table border="1"> <thead> <tr> <th>Status</th> <th>Availability</th> </tr> </thead> <tbody> <tr> <td>Normal Mode On, Idle Mode Off, Sleep Out</td> <td>Yes</td> </tr> <tr> <td>Normal Mode On, Idle Mode On, Sleep Out</td> <td>Yes</td> </tr> <tr> <td>Partial Mode On, Idle Mode Off, Sleep Out</td> <td>Yes</td> </tr> <tr> <td>Partial Mode On, Idle Mode On, Sleep Out</td> <td>Yes</td> </tr> <tr> <td>Sleep In</td> <td>Yes</td> </tr> </tbody> </table>													Status	Availability	Normal Mode On, Idle Mode Off, Sleep Out	Yes	Normal Mode On, Idle Mode On, Sleep Out	Yes	Partial Mode On, Idle Mode Off, Sleep Out	Yes	Partial Mode On, Idle Mode On, Sleep Out	Yes	Sleep In	Yes
Status	Availability																								
Normal Mode On, Idle Mode Off, Sleep Out	Yes																								
Normal Mode On, Idle Mode On, Sleep Out	Yes																								
Partial Mode On, Idle Mode Off, Sleep Out	Yes																								
Partial Mode On, Idle Mode On, Sleep Out	Yes																								
Sleep In	Yes																								
Default	<table border="1"> <thead> <tr> <th>Status</th> <th>Default Value</th> </tr> </thead> <tbody> <tr> <td>Power On Sequence</td> <td>OFF</td> </tr> <tr> <td>SW Reset</td> <td>OFF</td> </tr> <tr> <td>HW Reset</td> <td>OFF</td> </tr> </tbody> </table>													Status	Default Value	Power On Sequence	OFF	SW Reset	OFF	HW Reset	OFF				
Status	Default Value																								
Power On Sequence	OFF																								
SW Reset	OFF																								
HW Reset	OFF																								
Flow Chart	<pre> graph TD     A([TE Line Output ON]) --&gt; B[TEOFF (34h)]     B --&gt; C([TE Line Output OFF])     </pre> <p><b>Legend</b></p> <ul style="list-style-type: none"> <li>Command: Rectangle</li> <li>Parameter: Parallelogram</li> <li>Display: Oval</li> <li>Action: Arrowhead</li> <li>Mode: Rounded Rectangle</li> <li>Sequential transfer: Speech bubble</li> </ul>																								

## TEON (3500h): Tearing Effect Line ON

3500H		TEON (Tearing Effect Line ON)											
Inst/Para	R/W	Address		D15-8	D7	D6	D5	D4	D3	D2	D1	D0	HEX
		MIPI	Other										
TEON	R/W	35h	3500h	x	0	0	0	0	0	0	TE_M	TELOM	00

Bit	Symbol	Description	Comment
D0	TELOM	Output mode of TE signal	0:only V-blanking 1:V-blanking +H-blanking
D1	TE_M	Output mode of TE signal set	1: Refresh frame active  <Note> TE output active at refresh frame to avoid tearing effect, command can be set: 1. 0x3500=00.or 2. 0x3500=02.

### Description

This command turns on the tearing Effect output signal on the TE signal line. The TE signal is not affected by changing MADCTR (36h) B4 (Line Address Order).  
The Tearing Effect Line On has one parameter that describes the Tearing Effect Output Line mode.

If TELOM = 0:

The Tearing Effect Output line consists of V-Blanking information only.



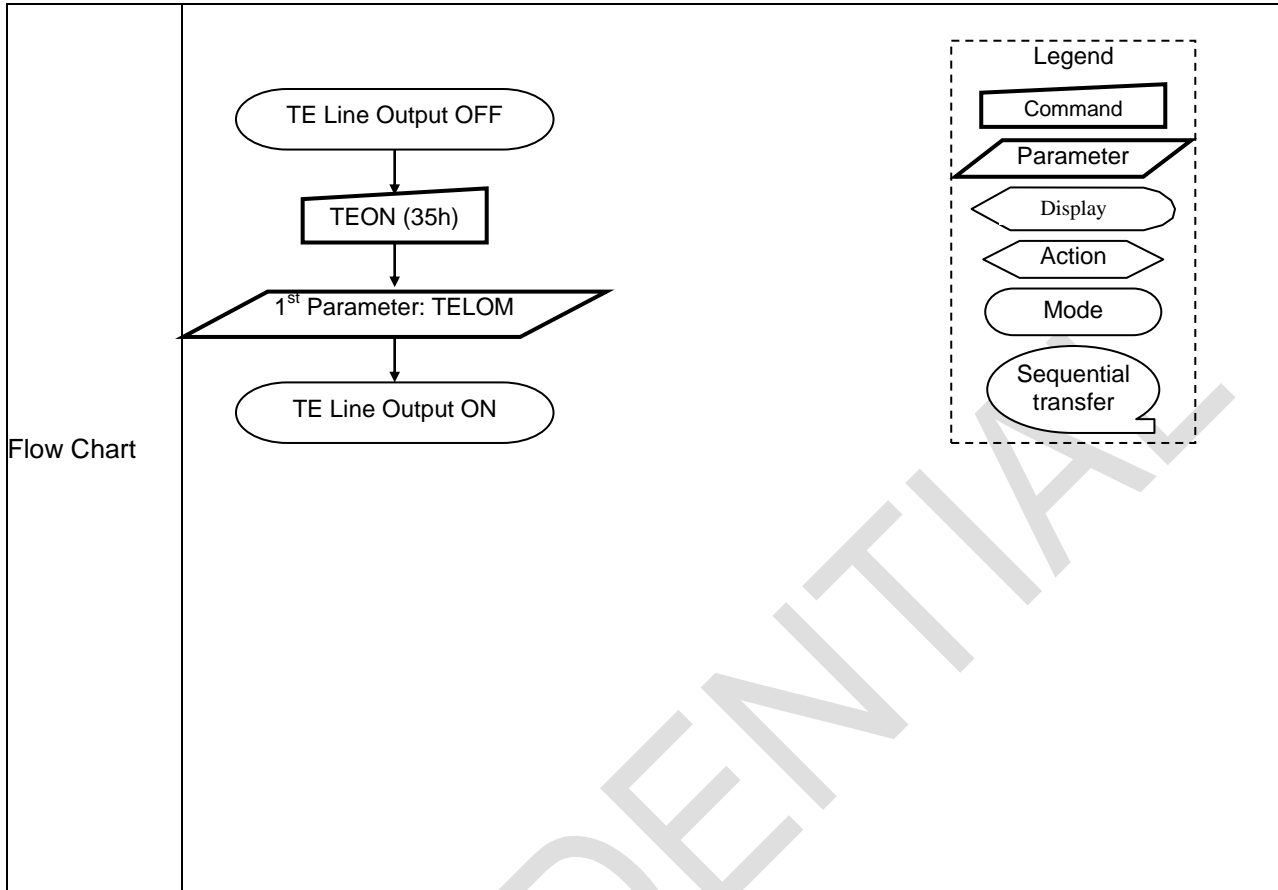
If TELOM = 1:

The Tearing Effect Output Line consists of both V-Blanking and H-Blanking information.



**The Tearing Effect Output line shall be active low when the display module is in Sleep mode.**

Restriction	This command has no effect when Tearing Effect output is already ON.												
Register Availability	<table border="1"> <thead> <tr> <th>Status</th> <th>Availability</th> </tr> </thead> <tbody> <tr> <td>Normal Mode On, Idle Mode Off, Sleep Out</td> <td>Yes</td> </tr> <tr> <td>Normal Mode On, Idle Mode On, Sleep Out</td> <td>Yes</td> </tr> <tr> <td>Partial Mode On, Idle Mode Off, Sleep Out</td> <td>Yes</td> </tr> <tr> <td>Partial Mode On, Idle Mode On, Sleep Out</td> <td>Yes</td> </tr> <tr> <td>Sleep In</td> <td>Yes</td> </tr> </tbody> </table>	Status	Availability	Normal Mode On, Idle Mode Off, Sleep Out	Yes	Normal Mode On, Idle Mode On, Sleep Out	Yes	Partial Mode On, Idle Mode Off, Sleep Out	Yes	Partial Mode On, Idle Mode On, Sleep Out	Yes	Sleep In	Yes
Status	Availability												
Normal Mode On, Idle Mode Off, Sleep Out	Yes												
Normal Mode On, Idle Mode On, Sleep Out	Yes												
Partial Mode On, Idle Mode Off, Sleep Out	Yes												
Partial Mode On, Idle Mode On, Sleep Out	Yes												
Sleep In	Yes												
Default	<table border="1"> <thead> <tr> <th>Status</th> <th>Default Value</th> </tr> </thead> <tbody> <tr> <td>Power On Sequence</td> <td>OFF</td> </tr> <tr> <td>SW Reset</td> <td>OFF</td> </tr> <tr> <td>HW Reset</td> <td>OFF</td> </tr> </tbody> </table>	Status	Default Value	Power On Sequence	OFF	SW Reset	OFF	HW Reset	OFF				
Status	Default Value												
Power On Sequence	OFF												
SW Reset	OFF												
HW Reset	OFF												



CONFIDENTIAL

## MADCTR (3600h): Scan Direction Control

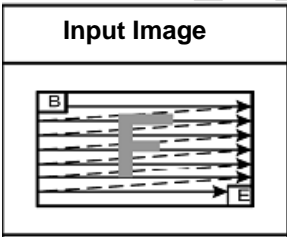
3600H		MADCTR (Scan Direction Control)											
Inst/Para	R/W	Address		D15-8	D7	D6	D5	D4	D3	D2	D1	D0	HEX
		MIPI	Other										
MADCTR	W	36h	3600h	x	D7	D6	D5	D4	D3	D2	D1	D0	00

This command defines the scan direction of Source and Gate Driver. This command makes no change on the other driver status.

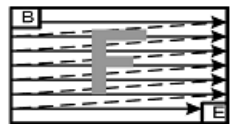
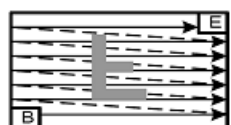
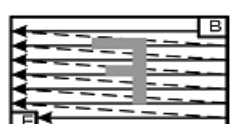
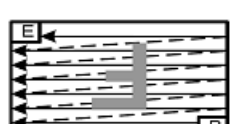
Bit	Symbol	Description	Comment
D7	MY	Row Address Increment	0: Increasing in vertical 1: Decreasing in vertical
D6	MX	Column Address Increment	0: Increasing in horizontal 1: Increasing in horizontal
D5	MV	Row/Column Order (MV)	0: Row/column exchange 1: Normal
D4	ML	Vertical Refresh Order	0: LCD Refresh Top to Bottom 1: LCD Refresh Bottom to Top
D3	RGB	RGB/BGR Order	'1' =BGR, "0"=RGB
D2	Reserved		0
D1	RSMX	Horizontal Flip	'0' = Normal display '1' = Flipped display
D0	RSMY	Vertical Flip	'0' = Normal display '1' = Flipped display





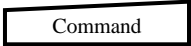
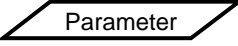
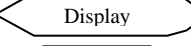
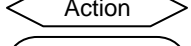
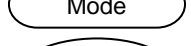
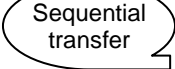
Description

**Input Image**



→

B1	B0	Display Panel
0	0	
0	1	
1	0	
1	1	

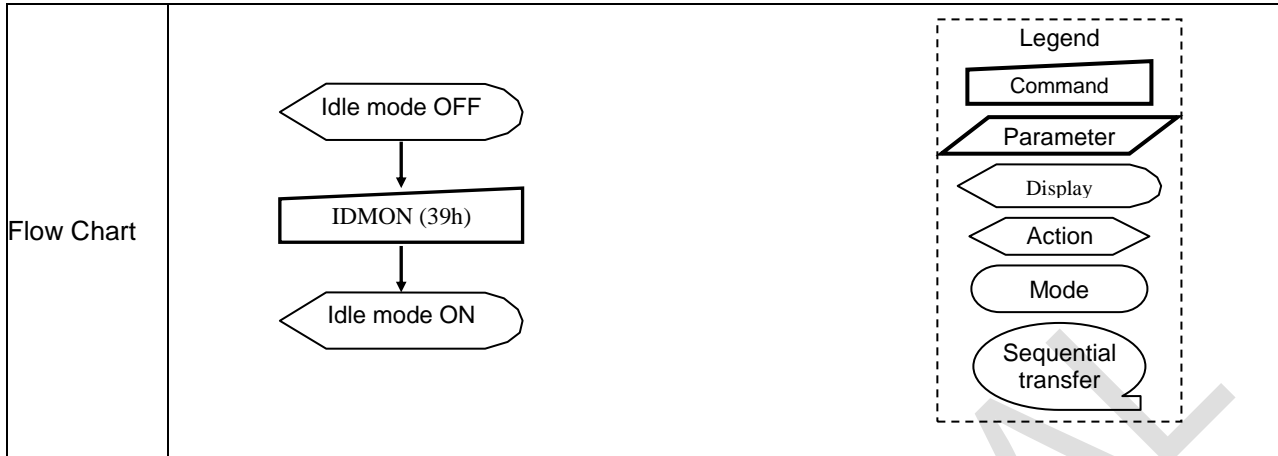
	<p style="text-align: center;">B3 = 0</p> <p style="text-align: center;"> <b>Input Image</b>   </p> <p style="text-align: center;">Sent RGB →</p> <p style="text-align: center;"> <b>Display Panel</b>   </p> <p style="text-align: center;">B3 = 1</p> <p style="text-align: center;"> <b>Input Image</b>   </p> <p style="text-align: center;">Sent BGR →</p> <p style="text-align: center;"> <b>Display Panel</b>   </p>												
Restriction													
Register Availability	<table border="1" style="width: 100%; border-collapse: collapse;"> <thead> <tr> <th style="width: 70%;">Status</th> <th style="width: 30%;">Availability</th> </tr> </thead> <tbody> <tr> <td>Normal Mode On, Idle Mode Off, Sleep Out</td> <td>Yes</td> </tr> <tr> <td>Normal Mode On, Idle Mode On, Sleep Out</td> <td>Yes</td> </tr> <tr> <td>Partial Mode On, Idle Mode Off, Sleep Out</td> <td>Yes</td> </tr> <tr> <td>Partial Mode On, Idle Mode On, Sleep Out</td> <td>Yes</td> </tr> <tr> <td>Sleep In</td> <td>Yes</td> </tr> </tbody> </table>	Status	Availability	Normal Mode On, Idle Mode Off, Sleep Out	Yes	Normal Mode On, Idle Mode On, Sleep Out	Yes	Partial Mode On, Idle Mode Off, Sleep Out	Yes	Partial Mode On, Idle Mode On, Sleep Out	Yes	Sleep In	Yes
Status	Availability												
Normal Mode On, Idle Mode Off, Sleep Out	Yes												
Normal Mode On, Idle Mode On, Sleep Out	Yes												
Partial Mode On, Idle Mode Off, Sleep Out	Yes												
Partial Mode On, Idle Mode On, Sleep Out	Yes												
Sleep In	Yes												
Default	<table border="1" style="width: 100%; border-collapse: collapse;"> <thead> <tr> <th style="width: 60%;">Status</th> <th style="width: 40%;">Default Value</th> </tr> </thead> <tbody> <tr> <td>Power On Sequence</td> <td>00h</td> </tr> <tr> <td>SW Reset</td> <td>00h</td> </tr> <tr> <td>HW Reset</td> <td>00h</td> </tr> </tbody> </table>	Status	Default Value	Power On Sequence	00h	SW Reset	00h	HW Reset	00h				
Status	Default Value												
Power On Sequence	00h												
SW Reset	00h												
HW Reset	00h												
Flow chart	<div style="display: flex; align-items: center; justify-content: center;"> <div style="text-align: center; margin-right: 20px;"> <p>MADCTR (36h)</p> <p>↓</p> <p>1<sup>st</sup> Parameter</p> </div> <div style="border: 1px dashed black; padding: 10px;"> <p style="text-align: center;">Legend</p> <ul style="list-style-type: none"> <li style="margin-bottom: 5px;"> Command</li> <li style="margin-bottom: 5px;"> Parameter</li> <li style="margin-bottom: 5px;"> Display</li> <li style="margin-bottom: 5px;"> Action</li> <li style="margin-bottom: 5px;"> Mode</li> <li style="margin-bottom: 5px;"> Sequential transfer</li> </ul> </div> </div>												

## IDMOFF (3800h): Idle Mode Off

3800H	IDMOFF (Idle Mode Off)																								
Inst/Para	R/W	Address		D15-8	D7	D6	D5	D4	D3	D2	D1	D0	HEX												
		MIPI	Other																						
IDMOFF	W	38h	3800h	No Argument																					
Description	This command causes the display module to exit Idle mode.																								
Restriction	This command has no effect when the display module is not in Idle mode.																								
Register Availability	<table border="1"> <thead> <tr> <th>Status</th> <th>Availability</th> </tr> </thead> <tbody> <tr> <td>Normal Mode On, Idle Mode Off, Sleep Out</td> <td>Yes</td> </tr> <tr> <td>Normal Mode On, Idle Mode On, Sleep Out</td> <td>Yes</td> </tr> <tr> <td>Partial Mode On, Idle Mode Off, Sleep Out</td> <td>Yes</td> </tr> <tr> <td>Partial Mode On, Idle Mode On, Sleep Out</td> <td>Yes</td> </tr> <tr> <td>Sleep In</td> <td>Yes</td> </tr> </tbody> </table>													Status	Availability	Normal Mode On, Idle Mode Off, Sleep Out	Yes	Normal Mode On, Idle Mode On, Sleep Out	Yes	Partial Mode On, Idle Mode Off, Sleep Out	Yes	Partial Mode On, Idle Mode On, Sleep Out	Yes	Sleep In	Yes
Status	Availability																								
Normal Mode On, Idle Mode Off, Sleep Out	Yes																								
Normal Mode On, Idle Mode On, Sleep Out	Yes																								
Partial Mode On, Idle Mode Off, Sleep Out	Yes																								
Partial Mode On, Idle Mode On, Sleep Out	Yes																								
Sleep In	Yes																								
Default	<table border="1"> <thead> <tr> <th>Status</th> <th>Default Value</th> </tr> </thead> <tbody> <tr> <td>Power On Sequence</td> <td>Idle Mode Off</td> </tr> <tr> <td>SW Reset</td> <td>Idle Mode Off</td> </tr> <tr> <td>HW Reset</td> <td>Idle Mode Off</td> </tr> </tbody> </table>													Status	Default Value	Power On Sequence	Idle Mode Off	SW Reset	Idle Mode Off	HW Reset	Idle Mode Off				
Status	Default Value																								
Power On Sequence	Idle Mode Off																								
SW Reset	Idle Mode Off																								
HW Reset	Idle Mode Off																								
Flow Chart	<pre> graph TD     A[Idle mode ON] --&gt; B[IDMOFF (38h)]     B --&gt; C[Idle mode OFF]     </pre> <p>Legend</p> <ul style="list-style-type: none"> <li>Command</li> <li>Parameter</li> <li>Display</li> <li>Action</li> <li>Mode</li> <li>Sequential transfer</li> </ul>																								

## IDMON (3900h): Enter\_idle\_mode

3900H	Enter_idle_mode																																			
Inst/Para	R/W	Address		D15-8	D7	D6	D5	D4	D3	D2	D1	D0	HEX																							
		MIPI	Other																																	
IDMON	W	39h	3900h	No Argument																																
Description	<p>This command causes the display module to enter Idle Mode. In Idle Mode, color expression is reduced. Colors are shown on the display device using the MSB of each of the R, G and B color components in the Input Image.</p> <div style="display: flex; justify-content: space-around; align-items: center;"> <div style="text-align: center;"> <p><b>Input Image</b></p> </div> <div style="font-size: 2em; margin: 0 20px;">→</div> <div style="text-align: center;"> <p><b>Panel Display</b></p> </div> </div>																																			
	<table border="1" style="width: 100%; border-collapse: collapse;"> <thead> <tr> <th>Color</th> <th>R7 R6 R5 R4 R3 R2 R1 R0</th> <th>G7 G6 G5 G4 G3 G2 G1 G0</th> <th>B7 B6 B5 B4 B3 B2 B1 B0</th> </tr> </thead> <tbody> <tr> <td>Black</td> <td>0XXXXXXX</td> <td>0XXXXXXX</td> <td>0XXXXXXX</td> </tr> <tr> <td>Blue</td> <td>0XXXXXXX</td> <td>0XXXXXXX</td> <td>1XXXXXXX</td> </tr> <tr> <td>Red</td> <td>1XXXXXXX</td> <td>0XXXXXXX</td> <td>0XXXXXXX</td> </tr> <tr> <td>Magenta</td> <td>1XXXXXXX</td> <td>0XXXXXXX</td> <td>1XXXXXXX</td> </tr> <tr> <td>Green</td> <td>0XXXXXXX</td> <td>1XXXXXXX</td> <td>0XXXXXXX</td> </tr> <tr> <td>Cyan</td> <td>0XXXXXXX</td> <td>1XXXXXXX</td> <td>1XXXXXXX</td> </tr> <tr> <td>Yellow</td> <td>1XXXXXXX</td> <td>1XXXXXXX</td> <td>0XXXXXXX</td> </tr> <tr> <td>White</td> <td>1XXXXXXX</td> <td>1XXXXXXX</td> <td>1XXXXXXX</td> </tr> </tbody> </table>	Color	R7 R6 R5 R4 R3 R2 R1 R0	G7 G6 G5 G4 G3 G2 G1 G0	B7 B6 B5 B4 B3 B2 B1 B0	Black	0XXXXXXX	0XXXXXXX	0XXXXXXX	Blue	0XXXXXXX	0XXXXXXX	1XXXXXXX	Red	1XXXXXXX	0XXXXXXX	0XXXXXXX	Magenta	1XXXXXXX	0XXXXXXX	1XXXXXXX	Green	0XXXXXXX	1XXXXXXX	0XXXXXXX	Cyan	0XXXXXXX	1XXXXXXX	1XXXXXXX	Yellow	1XXXXXXX	1XXXXXXX	0XXXXXXX	White	1XXXXXXX	1XXXXXXX
Color	R7 R6 R5 R4 R3 R2 R1 R0	G7 G6 G5 G4 G3 G2 G1 G0	B7 B6 B5 B4 B3 B2 B1 B0																																	
Black	0XXXXXXX	0XXXXXXX	0XXXXXXX																																	
Blue	0XXXXXXX	0XXXXXXX	1XXXXXXX																																	
Red	1XXXXXXX	0XXXXXXX	0XXXXXXX																																	
Magenta	1XXXXXXX	0XXXXXXX	1XXXXXXX																																	
Green	0XXXXXXX	1XXXXXXX	0XXXXXXX																																	
Cyan	0XXXXXXX	1XXXXXXX	1XXXXXXX																																	
Yellow	1XXXXXXX	1XXXXXXX	0XXXXXXX																																	
White	1XXXXXXX	1XXXXXXX	1XXXXXXX																																	
Restriction	This command has no effect when module is already in idle on mode.																																			
Register Availability	<table border="1" style="width: 100%; border-collapse: collapse;"> <thead> <tr> <th>Status</th> <th>Availability</th> </tr> </thead> <tbody> <tr> <td>Normal Mode On, Idle Mode Off, Sleep Out</td> <td>Yes</td> </tr> <tr> <td>Normal Mode On, Idle Mode On, Sleep Out</td> <td>Yes</td> </tr> <tr> <td>Partial Mode On, Idle Mode Off, Sleep Out</td> <td>Yes</td> </tr> <tr> <td>Partial Mode On, Idle Mode On, Sleep Out</td> <td>Yes</td> </tr> <tr> <td>Sleep In</td> <td>Yes</td> </tr> </tbody> </table>													Status	Availability	Normal Mode On, Idle Mode Off, Sleep Out	Yes	Normal Mode On, Idle Mode On, Sleep Out	Yes	Partial Mode On, Idle Mode Off, Sleep Out	Yes	Partial Mode On, Idle Mode On, Sleep Out	Yes	Sleep In	Yes											
Status	Availability																																			
Normal Mode On, Idle Mode Off, Sleep Out	Yes																																			
Normal Mode On, Idle Mode On, Sleep Out	Yes																																			
Partial Mode On, Idle Mode Off, Sleep Out	Yes																																			
Partial Mode On, Idle Mode On, Sleep Out	Yes																																			
Sleep In	Yes																																			
Default	<table border="1" style="width: 100%; border-collapse: collapse;"> <thead> <tr> <th>Status</th> <th>Default Value</th> </tr> </thead> <tbody> <tr> <td>Power On Sequence</td> <td>Idle Mode Off</td> </tr> <tr> <td>SW Reset</td> <td>Idle Mode Off</td> </tr> <tr> <td>HW Reset</td> <td>Idle Mode Off</td> </tr> </tbody> </table>													Status	Default Value	Power On Sequence	Idle Mode Off	SW Reset	Idle Mode Off	HW Reset	Idle Mode Off															
Status	Default Value																																			
Power On Sequence	Idle Mode Off																																			
SW Reset	Idle Mode Off																																			
HW Reset	Idle Mode Off																																			



CONFIDENTIAL

## COLMOD (3A00h): Interface Pixel Format

3A00H		COLMOD (Interface Pixel Format)																																																																												
Inst/Para	R/W	Address		D15-8	D7	D6	D5	D4	D3	D2	D1	D0	HEX																																																																	
		MIPI	Other																																																																											
COLMOD	W	3Ah	3A00h	x	0	1	1	1	0	IFPF[2]	IFPF[1]	IFPF[0]	77																																																																	
Description	This command sets the pixel format for the RGB image data used by the interface. IFPF[2:0] : MCU Pixel Format Definition. If not used DPI interface, then the corresponding bits in the parameter are ignored.																																																																													
	<table border="1"> <thead> <tr> <th>Control Interface Color Format</th> <th>IFPF[2]</th> <th>IFPF[1]</th> <th>IFPF[0]</th> </tr> </thead> <tbody> <tr> <td>SPI 3 bit/pixel (8 colors); SPI 1-1-1</td> <td>0</td> <td>0</td> <td>1</td> </tr> <tr> <td>SPI 8 bit/pixel (256 colors); SPI 3-3-2</td> <td>0</td> <td>1</td> <td>0</td> </tr> <tr> <td>SPI 8 bit/pixel (256 colors); SPI 256 Gray</td> <td>0</td> <td>1</td> <td>1</td> </tr> <tr> <td>16bit/pixel (65,536 colors)</td> <td>1</td> <td>0</td> <td>1</td> </tr> <tr> <td>18bit/pixel (262,144 colors)</td> <td>1</td> <td>1</td> <td>0</td> </tr> <tr> <td>24bit/pixel (16.7M colors)</td> <td>1</td> <td>1</td> <td>1</td> </tr> </tbody> </table>													Control Interface Color Format	IFPF[2]	IFPF[1]	IFPF[0]	SPI 3 bit/pixel (8 colors); SPI 1-1-1	0	0	1	SPI 8 bit/pixel (256 colors); SPI 3-3-2	0	1	0	SPI 8 bit/pixel (256 colors); SPI 256 Gray	0	1	1	16bit/pixel (65,536 colors)	1	0	1	18bit/pixel (262,144 colors)	1	1	0	24bit/pixel (16.7M colors)	1	1	1																																					
	Control Interface Color Format	IFPF[2]	IFPF[1]	IFPF[0]																																																																										
	SPI 3 bit/pixel (8 colors); SPI 1-1-1	0	0	1																																																																										
	SPI 8 bit/pixel (256 colors); SPI 3-3-2	0	1	0																																																																										
	SPI 8 bit/pixel (256 colors); SPI 256 Gray	0	1	1																																																																										
	16bit/pixel (65,536 colors)	1	0	1																																																																										
	18bit/pixel (262,144 colors)	1	1	0																																																																										
	24bit/pixel (16.7M colors)	1	1	1																																																																										
	<b>SPI 1-1-1</b> <table border="1"> <thead> <tr> <th>RGB 1-1-1 Bit</th> <th>DCX</th> <th>D[7]</th> <th>D[6]</th> <th>D[5]</th> <th>D[4]</th> <th>D[3]</th> <th>D[2]</th> <th>D[1]</th> <th>D[0]</th> <th>Note</th> </tr> </thead> <tbody> <tr> <td>CMDWR</td> <td>0</td> <td>0</td> <td>0</td> <td>0</td> <td>0</td> <td>0</td> <td>0</td> <td>0</td> <td>0</td> <td>0x2C for GRAM Write</td> </tr> <tr> <td>1st RAM Data Write</td> <td>1</td> <td>X</td> <td>X</td> <td>R1[0]</td> <td>G1[0]</td> <td>B1[0]</td> <td>R2[0]</td> <td>G2[0]</td> <td>B2[0]</td> <td>1st pixel Data Write</td> </tr> <tr> <td>2nd RAM Data Write</td> <td>1</td> <td>X</td> <td>X</td> <td>R3[0]</td> <td>G3[0]</td> <td>B3[0]</td> <td>R4[0]</td> <td>G4[0]</td> <td>B4[0]</td> <td>2nd pixel Data Write</td> </tr> <tr> <td>3rd RAM Data Write</td> <td>1</td> <td>X</td> <td>X</td> <td>R5[0]</td> <td>G5[0]</td> <td>B5[0]</td> <td>R6[0]</td> <td>G6[0]</td> <td>B6[0]</td> <td>3rd pixel Data Write</td> </tr> <tr> <td>So on...</td> <td></td> <td></td> <td></td> <td></td> <td></td> <td></td> <td></td> <td></td> <td></td> <td></td> </tr> </tbody> </table>													RGB 1-1-1 Bit	DCX	D[7]	D[6]	D[5]	D[4]	D[3]	D[2]	D[1]	D[0]	Note	CMDWR	0	0	0	0	0	0	0	0	0	0x2C for GRAM Write	1st RAM Data Write	1	X	X	R1[0]	G1[0]	B1[0]	R2[0]	G2[0]	B2[0]	1st pixel Data Write	2nd RAM Data Write	1	X	X	R3[0]	G3[0]	B3[0]	R4[0]	G4[0]	B4[0]	2nd pixel Data Write	3rd RAM Data Write	1	X	X	R5[0]	G5[0]	B5[0]	R6[0]	G6[0]	B6[0]	3rd pixel Data Write	So on...									
RGB 1-1-1 Bit	DCX	D[7]	D[6]	D[5]	D[4]	D[3]	D[2]	D[1]	D[0]	Note																																																																				
CMDWR	0	0	0	0	0	0	0	0	0	0x2C for GRAM Write																																																																				
1st RAM Data Write	1	X	X	R1[0]	G1[0]	B1[0]	R2[0]	G2[0]	B2[0]	1st pixel Data Write																																																																				
2nd RAM Data Write	1	X	X	R3[0]	G3[0]	B3[0]	R4[0]	G4[0]	B4[0]	2nd pixel Data Write																																																																				
3rd RAM Data Write	1	X	X	R5[0]	G5[0]	B5[0]	R6[0]	G6[0]	B6[0]	3rd pixel Data Write																																																																				
So on...																																																																														
<b>SPI 3-3-2</b> <table border="1"> <thead> <tr> <th>RGB 3-3-2 Bit</th> <th>DCX</th> <th>D[7]</th> <th>D[6]</th> <th>D[5]</th> <th>D[4]</th> <th>D[3]</th> <th>D[2]</th> <th>D[1]</th> <th>D[0]</th> <th>Note</th> </tr> </thead> <tbody> <tr> <td>CMDWR</td> <td>0</td> <td>0</td> <td>0</td> <td>0</td> <td>0</td> <td>0</td> <td>0</td> <td>0</td> <td>0</td> <td>0x2C for GRAM Write</td> </tr> <tr> <td>1st RAM Data Write</td> <td>1</td> <td>R1[2]</td> <td>R1[1]</td> <td>R1[0]</td> <td>G1[2]</td> <td>G1[1]</td> <td>G1[0]</td> <td>B1[1]</td> <td>B1[0]</td> <td>1st pixel Data Write</td> </tr> <tr> <td>2nd RAM Data Write</td> <td>1</td> <td>R2[2]</td> <td>R2[1]</td> <td>R2[0]</td> <td>G2[2]</td> <td>G2[1]</td> <td>G2[0]</td> <td>B2[1]</td> <td>B2[0]</td> <td>2nd pixel Data Write</td> </tr> <tr> <td>3rd RAM Data Write</td> <td>1</td> <td>R3[2]</td> <td>R3[1]</td> <td>R3[0]</td> <td>G3[2]</td> <td>G3[1]</td> <td>G3[0]</td> <td>B3[1]</td> <td>B3[0]</td> <td>3rd pixel Data Write</td> </tr> <tr> <td>So on...</td> <td></td> <td></td> <td></td> <td></td> <td></td> <td></td> <td></td> <td></td> <td></td> <td></td> </tr> </tbody> </table>													RGB 3-3-2 Bit	DCX	D[7]	D[6]	D[5]	D[4]	D[3]	D[2]	D[1]	D[0]	Note	CMDWR	0	0	0	0	0	0	0	0	0	0x2C for GRAM Write	1st RAM Data Write	1	R1[2]	R1[1]	R1[0]	G1[2]	G1[1]	G1[0]	B1[1]	B1[0]	1st pixel Data Write	2nd RAM Data Write	1	R2[2]	R2[1]	R2[0]	G2[2]	G2[1]	G2[0]	B2[1]	B2[0]	2nd pixel Data Write	3rd RAM Data Write	1	R3[2]	R3[1]	R3[0]	G3[2]	G3[1]	G3[0]	B3[1]	B3[0]	3rd pixel Data Write	So on...										
RGB 3-3-2 Bit	DCX	D[7]	D[6]	D[5]	D[4]	D[3]	D[2]	D[1]	D[0]	Note																																																																				
CMDWR	0	0	0	0	0	0	0	0	0	0x2C for GRAM Write																																																																				
1st RAM Data Write	1	R1[2]	R1[1]	R1[0]	G1[2]	G1[1]	G1[0]	B1[1]	B1[0]	1st pixel Data Write																																																																				
2nd RAM Data Write	1	R2[2]	R2[1]	R2[0]	G2[2]	G2[1]	G2[0]	B2[1]	B2[0]	2nd pixel Data Write																																																																				
3rd RAM Data Write	1	R3[2]	R3[1]	R3[0]	G3[2]	G3[1]	G3[0]	B3[1]	B3[0]	3rd pixel Data Write																																																																				
So on...																																																																														
<b>SPI 256 Gray</b> <table border="1"> <thead> <tr> <th>RGB 256 Gray</th> <th>DCX</th> <th>D[7]</th> <th>D[6]</th> <th>D[5]</th> <th>D[4]</th> <th>D[3]</th> <th>D[2]</th> <th>D[1]</th> <th>D[0]</th> <th>Note</th> </tr> </thead> <tbody> <tr> <td>CMDWR</td> <td>0</td> <td>0</td> <td>0</td> <td>0</td> <td>0</td> <td>0</td> <td>0</td> <td>0</td> <td>0</td> <td>0x2C for GRAM Write</td> </tr> <tr> <td>1st RAM Data Write</td> <td>1</td> <td>P1[7]</td> <td>P1[6]</td> <td>P1[5]</td> <td>P1[4]</td> <td>P1[3]</td> <td>P1[2]</td> <td>P1[1]</td> <td>P1[0]</td> <td>1st pixel Data Write</td> </tr> <tr> <td>2nd RAM Data Write</td> <td>1</td> <td>P2[7]</td> <td>P2[6]</td> <td>P2[5]</td> <td>P2[4]</td> <td>P2[3]</td> <td>P2[2]</td> <td>P2[1]</td> <td>P2[0]</td> <td>2nd pixel Data Write</td> </tr> <tr> <td>3rd RAM Data Write</td> <td>1</td> <td>P3[7]</td> <td>P3[6]</td> <td>P3[5]</td> <td>P3[4]</td> <td>P3[3]</td> <td>P3[2]</td> <td>P3[1]</td> <td>P3[0]</td> <td>3rd pixel Data Write</td> </tr> <tr> <td>So on...</td> <td></td> <td></td> <td></td> <td></td> <td></td> <td></td> <td></td> <td></td> <td></td> <td></td> </tr> </tbody> </table>													RGB 256 Gray	DCX	D[7]	D[6]	D[5]	D[4]	D[3]	D[2]	D[1]	D[0]	Note	CMDWR	0	0	0	0	0	0	0	0	0	0x2C for GRAM Write	1st RAM Data Write	1	P1[7]	P1[6]	P1[5]	P1[4]	P1[3]	P1[2]	P1[1]	P1[0]	1st pixel Data Write	2nd RAM Data Write	1	P2[7]	P2[6]	P2[5]	P2[4]	P2[3]	P2[2]	P2[1]	P2[0]	2nd pixel Data Write	3rd RAM Data Write	1	P3[7]	P3[6]	P3[5]	P3[4]	P3[3]	P3[2]	P3[1]	P3[0]	3rd pixel Data Write	So on...										
RGB 256 Gray	DCX	D[7]	D[6]	D[5]	D[4]	D[3]	D[2]	D[1]	D[0]	Note																																																																				
CMDWR	0	0	0	0	0	0	0	0	0	0x2C for GRAM Write																																																																				
1st RAM Data Write	1	P1[7]	P1[6]	P1[5]	P1[4]	P1[3]	P1[2]	P1[1]	P1[0]	1st pixel Data Write																																																																				
2nd RAM Data Write	1	P2[7]	P2[6]	P2[5]	P2[4]	P2[3]	P2[2]	P2[1]	P2[0]	2nd pixel Data Write																																																																				
3rd RAM Data Write	1	P3[7]	P3[6]	P3[5]	P3[4]	P3[3]	P3[2]	P3[1]	P3[0]	3rd pixel Data Write																																																																				
So on...																																																																														
Restriction	-																																																																													

Register Availability	<table border="1"> <thead> <tr> <th>Status</th> <th>Availability</th> </tr> </thead> <tbody> <tr> <td>Normal Mode On, Idle Mode Off, Sleep Out</td> <td>Yes</td> </tr> <tr> <td>Normal Mode On, Idle Mode On, Sleep Out</td> <td>Yes</td> </tr> <tr> <td>Partial Mode On, Idle Mode Off, Sleep Out</td> <td>Yes</td> </tr> <tr> <td>Partial Mode On, Idle Mode On, Sleep Out</td> <td>Yes</td> </tr> <tr> <td>Sleep In</td> <td>Yes</td> </tr> </tbody> </table>	Status	Availability	Normal Mode On, Idle Mode Off, Sleep Out	Yes	Normal Mode On, Idle Mode On, Sleep Out	Yes	Partial Mode On, Idle Mode Off, Sleep Out	Yes	Partial Mode On, Idle Mode On, Sleep Out	Yes	Sleep In	Yes
Status	Availability												
Normal Mode On, Idle Mode Off, Sleep Out	Yes												
Normal Mode On, Idle Mode On, Sleep Out	Yes												
Partial Mode On, Idle Mode Off, Sleep Out	Yes												
Partial Mode On, Idle Mode On, Sleep Out	Yes												
Sleep In	Yes												
Default	<table border="1"> <thead> <tr> <th>Status</th> <th>Default Value</th> </tr> </thead> <tbody> <tr> <td>Power On Sequence</td> <td>77h</td> </tr> <tr> <td>SW Reset</td> <td>77h</td> </tr> <tr> <td>HW Reset</td> <td>77h</td> </tr> </tbody> </table>	Status	Default Value	Power On Sequence	77h	SW Reset	77h	HW Reset	77h				
Status	Default Value												
Power On Sequence	77h												
SW Reset	77h												
HW Reset	77h												
Flow chart	<p>Example :</p> <pre> graph TD     A([16-bits/Pixel Mode]) --&gt; B[COLMOD (3Ah)]     B --&gt; C[/1st Parameter (06h)/]     C --&gt; D([18-bits/Pixel Mode])     </pre> <p>Legend</p> <ul style="list-style-type: none"> <li>Command</li> <li>Parameter</li> <li>Display</li> <li>Action</li> <li>Mode</li> <li>Sequential transfer</li> </ul>												

## RAMWRC (3C00h): Memory Continuous Write

3C00H		RAMWRC												
Inst/Para	R/W	Address		D15-8	D7	D6	D5	D4	D3	D2	D1	D0	HEX	
		MIPI	Other											
RAMWR	R/W	3Ch	3C00h	X	0	0	1	1	1	1	0	0	3C	
			1 <sup>st</sup> Pixel	X	D <sub>17</sub>	D <sub>16</sub>	D <sub>15</sub>	D <sub>14</sub>	D <sub>13</sub>	D <sub>12</sub>	D <sub>11</sub>	D <sub>10</sub>		
			:	X	:	:	:	:	:	:	:	:	:	
			N <sup>th</sup> Pixel	X	D <sub>N7</sub>	D <sub>N6</sub>	D <sub>N5</sub>	D <sub>N4</sub>	D <sub>N3</sub>	D <sub>N2</sub>	D <sub>N1</sub>	D <sub>N0</sub>		
Description	<p>This command transfers image data from the host processor to the display module's frame memory continuing from the pixel location following the previous write_memory_continue or write_memory_start command.</p> <p>If MV(36h-B5) = 0: Data is written continuing from the pixel location after the write range of the previous RAMWR(2Ch) or RAMWRC(3Ch). The column register is then incremented and pixels are written to the frame memory until the column register equals the End Column (EC) value. The column register is then reset to SC and the page register is incremented. Pixels are written to the frame memory until the page register equals the End Page (EP) value or the host processor sends another command. If the number of pixels exceeds <math>(EC - SC + 1) * (EP - SP + 1)</math> the extra pixels are ignored.</p> <p>If MV(36h-B5) = 1: Data is written continuing from the pixel location after the write range of the previous RAMWR(2Ch) or RAMWRC(3Ch). The page register is then incremented and pixels are written to the frame memory until the page register equals the End Page (EP) value. The page register is then reset to SP and the column register is incremented. Pixels are written to the frame memory until the column register equals the End column (EC) value or the host processor sends another command. If the number of pixels exceeds <math>(EC - SC + 1) * (EP - SP + 1)</math> the extra pixels are ignored.</p> <p>Frame Memory Access and Interface setting (B3h), WEMODE=0 When the transfer number of data exceeds <math>(EC-SC+1)*(EP-SP+1)</math>, the exceeding data will be ignored.</p>													
Restriction	<p>A Memory Write should follow a CASET(2Ah), RASET(2Bh) or MADCTR(36h) to define the write location. Otherwise, data written with RAMWR(2Ch) and any following RAMWRC(3Ch) commands is written to undefined locations.</p>													

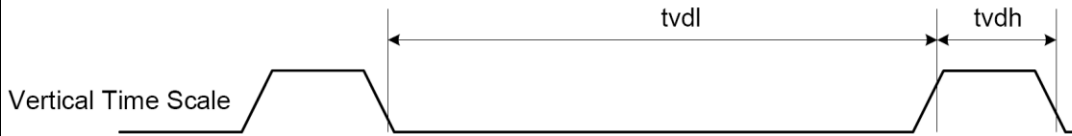
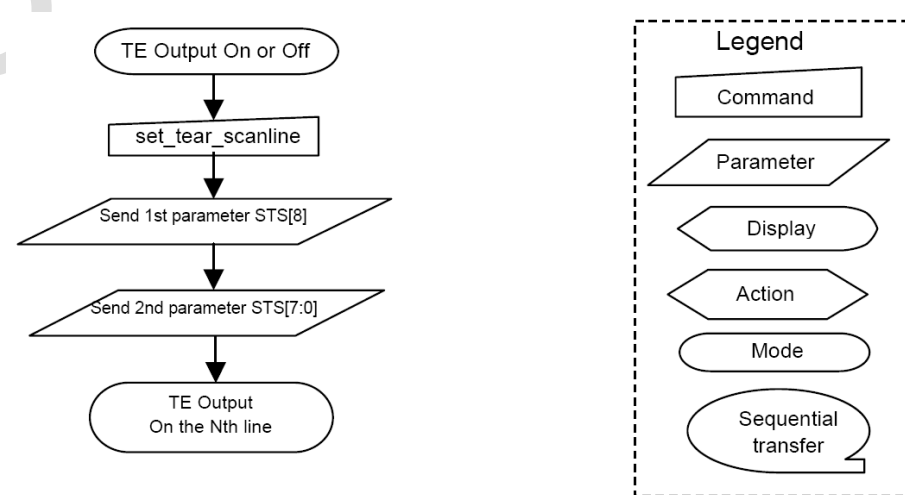
Register Availability	<table border="1"> <thead> <tr> <th>Status</th> <th>Availability</th> </tr> </thead> <tbody> <tr> <td>Normal Mode On, Idle Mode Off, Sleep Out</td> <td>Yes</td> </tr> <tr> <td>Normal Mode On, Idle Mode On, Sleep Out</td> <td>Yes</td> </tr> <tr> <td>Partial Mode On, Idle Mode Off, Sleep Out</td> <td>Yes</td> </tr> <tr> <td>Partial Mode On, Idle Mode On, Sleep Out</td> <td>Yes</td> </tr> <tr> <td>Sleep In</td> <td>Yes</td> </tr> </tbody> </table>	Status	Availability	Normal Mode On, Idle Mode Off, Sleep Out	Yes	Normal Mode On, Idle Mode On, Sleep Out	Yes	Partial Mode On, Idle Mode Off, Sleep Out	Yes	Partial Mode On, Idle Mode On, Sleep Out	Yes	Sleep In	Yes
Status	Availability												
Normal Mode On, Idle Mode Off, Sleep Out	Yes												
Normal Mode On, Idle Mode On, Sleep Out	Yes												
Partial Mode On, Idle Mode Off, Sleep Out	Yes												
Partial Mode On, Idle Mode On, Sleep Out	Yes												
Sleep In	Yes												
Default	<table border="1"> <thead> <tr> <th>Status</th> <th>Default Value</th> </tr> </thead> <tbody> <tr> <td>Power On Sequence</td> <td>Contents of memory is set randomly</td> </tr> <tr> <td>SW Reset</td> <td>Contents of memory is not cleared</td> </tr> <tr> <td>HW Reset</td> <td>Contents of memory is not cleared</td> </tr> </tbody> </table>	Status	Default Value	Power On Sequence	Contents of memory is set randomly	SW Reset	Contents of memory is not cleared	HW Reset	Contents of memory is not cleared				
Status	Default Value												
Power On Sequence	Contents of memory is set randomly												
SW Reset	Contents of memory is not cleared												
HW Reset	Contents of memory is not cleared												
Flow chart	<pre> graph TD     A[RAMWRC (3Ch)] --&gt; B([Image Data D1[B:0], D2[B:0], ..., Dn[B:0]])     B --&gt; C[Any Command]     </pre> <p><b>Legend</b></p> <ul style="list-style-type: none"> <li>Command: Rectangle</li> <li>Parameter: Parallelogram</li> <li>Display: Oval</li> <li>Action: Arrowhead</li> <li>Mode: Rounded rectangle</li> <li>Sequential transfer: Oval with tail</li> </ul>												

## RAMRDC (3E00h): Memory Continuous Read

3E00H		RAMRDC												
Inst/Para	R/W	Address		D15-8	D7	D6	D5	D4	D3	D2	D1	D0	HEX	
		MIPI	Other											
RAMRDC	R/W	3Eh	3E00h	X	0	0	1	1	1	1	1	0	3E	
			1 <sup>st</sup> Pixel	X	D <sub>17</sub>	D <sub>16</sub>	D <sub>15</sub>	D <sub>14</sub>	D <sub>13</sub>	D <sub>12</sub>	D <sub>11</sub>	D <sub>10</sub>		
			:	X	:	:	:	:	:	:	:	:	:	
			N <sup>th</sup> Pixel	X	D <sub>N7</sub>	D <sub>N6</sub>	D <sub>N5</sub>	D <sub>N4</sub>	D <sub>N3</sub>	D <sub>N2</sub>	D <sub>N1</sub>	D <sub>N0</sub>		
Description	<p>This command transfers image data from the host processor to the display module's frame memory continuing from the pixel location following the previous write_memory_continue or write_memory_start command.</p> <p>If MV(36h-B5) = 0: Data is written continuing from the pixel location after the write range of the previous RAMWR(2Ch) or RAMWRC(3Ch). The column register is then incremented and pixels are written to the frame memory until the column register equals the End Column (EC) value. The column register is then reset to SC and the page register is incremented. Pixels are written to the frame memory until the page register equals the End Page (EP) value or the host processor sends another command. If the number of pixels exceeds (EC – SC + 1) * (EP – SP + 1) the extra pixels are ignored.</p> <p>If MV(36h-B5) = 1: Data is written continuing from the pixel location after the write range of the previous RAMWR(2Ch) or RAMWRC(3Ch). The page register is then incremented and pixels are written to the frame memory until the page register equals the End Page (EP) value. The page register is then reset to SP and the column register is incremented. Pixels are written to the frame memory until the column register equals the End column (EC) value or the host processor sends another command. If the number of pixels exceeds (EC – SC + 1) * (EP – SP + 1) the extra pixels are ignored.</p> <p>Frame Memory Access and Interface setting (B3h), WEMODE=0 When the transfer number of data exceeds (EC-SC+1)*(EP-SP+1), the exceeding data will be ignored.</p>													
Restriction	<p>A Memory Write should follow a CASET(2Ah), RASET(2Bh) or MADCTR(36h) to define the write location. Otherwise, data written with RAMWR(2Ch) and any following RAMWRC(3Ch) commands is written to undefined locations.</p>													

Register Availability	<table border="1"> <thead> <tr> <th>Status</th> <th>Availability</th> </tr> </thead> <tbody> <tr> <td>Normal Mode On, Idle Mode Off, Sleep Out</td> <td>Yes</td> </tr> <tr> <td>Normal Mode On, Idle Mode On, Sleep Out</td> <td>Yes</td> </tr> <tr> <td>Partial Mode On, Idle Mode Off, Sleep Out</td> <td>Yes</td> </tr> <tr> <td>Partial Mode On, Idle Mode On, Sleep Out</td> <td>Yes</td> </tr> <tr> <td>Sleep In</td> <td>Yes</td> </tr> </tbody> </table>	Status	Availability	Normal Mode On, Idle Mode Off, Sleep Out	Yes	Normal Mode On, Idle Mode On, Sleep Out	Yes	Partial Mode On, Idle Mode Off, Sleep Out	Yes	Partial Mode On, Idle Mode On, Sleep Out	Yes	Sleep In	Yes
Status	Availability												
Normal Mode On, Idle Mode Off, Sleep Out	Yes												
Normal Mode On, Idle Mode On, Sleep Out	Yes												
Partial Mode On, Idle Mode Off, Sleep Out	Yes												
Partial Mode On, Idle Mode On, Sleep Out	Yes												
Sleep In	Yes												
Default	<table border="1"> <thead> <tr> <th>Status</th> <th>Default Value</th> </tr> </thead> <tbody> <tr> <td>Power On Sequence</td> <td>Contents of memory is set randomly</td> </tr> <tr> <td>SW Reset</td> <td>Contents of memory is not cleared</td> </tr> <tr> <td>HW Reset</td> <td>Contents of memory is not cleared</td> </tr> </tbody> </table>	Status	Default Value	Power On Sequence	Contents of memory is set randomly	SW Reset	Contents of memory is not cleared	HW Reset	Contents of memory is not cleared				
Status	Default Value												
Power On Sequence	Contents of memory is set randomly												
SW Reset	Contents of memory is not cleared												
HW Reset	Contents of memory is not cleared												
Flow chart	<pre> graph TD     A[RAMWRC (3Ch)] --&gt; B(Image Data D1[B:0], D2[B:0] ..... Dn[B:0])     B --&gt; C[Any Command]     </pre> <p><b>Legend</b></p> <ul style="list-style-type: none"> <li>Command: Rectangle</li> <li>Parameter: Parallelogram</li> <li>Display: Oval</li> <li>Action: Arrowhead</li> <li>Mode: Rounded rectangle</li> <li>Sequential transfer: Oval with tail</li> </ul>												

## STESL(4400h) : Set\_Tear\_Scanline

4400H	STESL(Set_Tear_Scanline)																								
Inst/Para	R/W	Address		D15-8	D7	D6	D5	D4	D3	D2	D1	D0	HEX												
		MIPI	Other																						
STESL	W	44h	4400h	x	STS[15]	STS[14]	STS[13]	STS[12]	STS[11]	STS[10]	STS[9]	STS[8]	00												
			4401h	x	STS[7]	STS[6]	STS[5]	STS[4]	STS[3]	STS[2]	STS[1]	STS[0]	00												
Description	<p>This command turns on the display Tearing Effect output signal on the TE signal line when the display reaches line N. The TE signal is not affected by changing set_address_mode bit B4. The Tearing Effect Line On has one parameter that describes the Tearing Effect Output Line mode.</p>  <p>The Tearing Effect Output line shall be active low when the display module is in Sleep mode.</p>																								
Restriction																									
Register Availability	<table border="1"> <thead> <tr> <th>Status</th> <th>Availability</th> </tr> </thead> <tbody> <tr> <td>Normal Mode On, Idle Mode Off, Sleep Out</td> <td>Yes</td> </tr> <tr> <td>Normal Mode On, Idle Mode On, Sleep Out</td> <td>Yes</td> </tr> <tr> <td>Partial Mode On, Idle Mode Off, Sleep Out</td> <td>Yes</td> </tr> <tr> <td>Partial Mode On, Idle Mode On, Sleep Out</td> <td>Yes</td> </tr> <tr> <td>Sleep In</td> <td>Yes</td> </tr> </tbody> </table>													Status	Availability	Normal Mode On, Idle Mode Off, Sleep Out	Yes	Normal Mode On, Idle Mode On, Sleep Out	Yes	Partial Mode On, Idle Mode Off, Sleep Out	Yes	Partial Mode On, Idle Mode On, Sleep Out	Yes	Sleep In	Yes
Status	Availability																								
Normal Mode On, Idle Mode Off, Sleep Out	Yes																								
Normal Mode On, Idle Mode On, Sleep Out	Yes																								
Partial Mode On, Idle Mode Off, Sleep Out	Yes																								
Partial Mode On, Idle Mode On, Sleep Out	Yes																								
Sleep In	Yes																								
Default	<table border="1"> <thead> <tr> <th>Status</th> <th>Default Value</th> </tr> </thead> <tbody> <tr> <td>Power On Sequence</td> <td>STS[15:0]=16'h0000</td> </tr> <tr> <td>SW Reset</td> <td>STS[15:0]=16'h0000</td> </tr> <tr> <td>HW Reset</td> <td>STS[15:0]=16'h0000</td> </tr> </tbody> </table>													Status	Default Value	Power On Sequence	STS[15:0]=16'h0000	SW Reset	STS[15:0]=16'h0000	HW Reset	STS[15:0]=16'h0000				
Status	Default Value																								
Power On Sequence	STS[15:0]=16'h0000																								
SW Reset	STS[15:0]=16'h0000																								
HW Reset	STS[15:0]=16'h0000																								
Flow Chart																									

## GSL (4500h) : Get\_Scanline

4500H		GSL(Get_Scanline)																							
Inst/Para	R/W	Address		D15-8	D7	D6	D5	D4	D3	D2	D1	D0	HEX												
		MIPI	Other																						
GSL	R	45h	4500h	x	GTS[15]	GTS[14]	GTS[13]	GTS[12]	GTS[11]	GTS[10]	GTS[9]	GTS[8]	0x												
			4501h	x	GTS[7]	GTS[6]	GTS[5]	GTS[4]	GTS[3]	GTS[2]	GTS[1]	GTS[0]	xx												
Description	<p>The display returns the current scan line, N, used to update the display device. The total number of scan lines on a display device is defined as VSYNC + VBP + VACT + VFP. The first scan line is defined as the first line of V-Sync and is denoted as Line 0. When in Sleep Mode, the value returned by get scanline is undefined.</p>																								
Restriction	-																								
Register Availability	<table border="1"> <thead> <tr> <th>Status</th> <th>Availability</th> </tr> </thead> <tbody> <tr> <td>Normal Mode On, Idle Mode Off, Sleep Out</td> <td>Yes</td> </tr> <tr> <td>Normal Mode On, Idle Mode On, Sleep Out</td> <td>Yes</td> </tr> <tr> <td>Partial Mode On, Idle Mode Off, Sleep Out</td> <td>Yes</td> </tr> <tr> <td>Partial Mode On, Idle Mode On, Sleep Out</td> <td>Yes</td> </tr> <tr> <td>Sleep In</td> <td>Yes</td> </tr> </tbody> </table>													Status	Availability	Normal Mode On, Idle Mode Off, Sleep Out	Yes	Normal Mode On, Idle Mode On, Sleep Out	Yes	Partial Mode On, Idle Mode Off, Sleep Out	Yes	Partial Mode On, Idle Mode On, Sleep Out	Yes	Sleep In	Yes
Status	Availability																								
Normal Mode On, Idle Mode Off, Sleep Out	Yes																								
Normal Mode On, Idle Mode On, Sleep Out	Yes																								
Partial Mode On, Idle Mode Off, Sleep Out	Yes																								
Partial Mode On, Idle Mode On, Sleep Out	Yes																								
Sleep In	Yes																								
Flow Chart	<pre> graph TD     Start([get_scanline]) --&gt; Wait{Wait 3us}     Wait --&gt; Dummy[/Dummy Read/]     Dummy --&gt; Param1[/Send 1st parameter GTS[9:8]/]     Param1 --&gt; Param2[/Send 2nd parameter GTS[7:0]/]     </pre>																								

## DSTBON (4F00h): Deep Standby Mode On

4F00H		DSTBON(Deep Standby Mode On)																							
Inst/Para	R/W	Address		D15-8	D7	D6	D5	D4	D3	D2	D1	D0	HEX												
		MIPI	Other																						
DSTBON	W	4Fh	4F00h	x	0	0	0	0	0	0	0	DSTB	00												
Description	<p>This command is used to enter deep standby mode. DSTB="1", enter deep standby mode.</p> <p>Notes:</p> <ol style="list-style-type: none"> <li>To exit Deep Standby Mode, input low pulse more than 3 msec to pin RESX.</li> <li>For MIPI IF, if deep standby mode is used, please pull HSSI_CLK_P/N &amp; HSSI_D0~D1_P/N to GND after executing deep standby command.</li> </ol>																								
Restriction	-																								
Register Availability	<table border="1"> <thead> <tr> <th>Status</th> <th>Availability</th> </tr> </thead> <tbody> <tr> <td>Normal Mode On, Idle Mode Off, Sleep Out</td> <td>Yes</td> </tr> <tr> <td>Normal Mode On, Idle Mode On, Sleep Out</td> <td>Yes</td> </tr> <tr> <td>Partial Mode On, Idle Mode Off, Sleep Out</td> <td>Yes</td> </tr> <tr> <td>Partial Mode On, Idle Mode On, Sleep Out</td> <td>Yes</td> </tr> <tr> <td>Sleep In</td> <td>Yes</td> </tr> </tbody> </table>													Status	Availability	Normal Mode On, Idle Mode Off, Sleep Out	Yes	Normal Mode On, Idle Mode On, Sleep Out	Yes	Partial Mode On, Idle Mode Off, Sleep Out	Yes	Partial Mode On, Idle Mode On, Sleep Out	Yes	Sleep In	Yes
Status	Availability																								
Normal Mode On, Idle Mode Off, Sleep Out	Yes																								
Normal Mode On, Idle Mode On, Sleep Out	Yes																								
Partial Mode On, Idle Mode Off, Sleep Out	Yes																								
Partial Mode On, Idle Mode On, Sleep Out	Yes																								
Sleep In	Yes																								
Default	<table border="1"> <thead> <tr> <th>Status</th> <th>Default Value</th> </tr> </thead> <tbody> <tr> <td>Power On Sequence</td> <td>00h</td> </tr> <tr> <td>SW Reset</td> <td>00h</td> </tr> <tr> <td>HW Reset</td> <td>00h</td> </tr> </tbody> </table>													Status	Default Value	Power On Sequence	00h	SW Reset	00h	HW Reset	00h				
Status	Default Value																								
Power On Sequence	00h																								
SW Reset	00h																								
HW Reset	00h																								
Flow chart	<pre> graph TD     A[DSTBON (4Fh)] --&gt; B[/Parameter DSTB=1/]     B --&gt; C([Deep Standby Mode])     </pre> <p><b>Legend</b></p> <ul style="list-style-type: none"> <li>Command: Rectangle</li> <li>Parameter: Parallelogram</li> <li>Display: Oval</li> <li>Action: Arrow</li> <li>Mode: Rounded Rectangle</li> <li>Sequential transfer: Oval with tail</li> </ul>																								

## WRDISBV (5100h): Write Display Brightness

5100H		WRDISBV																							
Inst/Para	R/W	Address		D15-8	D7	D6	D5	D4	D3	D2	D1	D0	HEX												
		MIPI	Other																						
WRDISBV	W	51h	5100h	x	DBV7	DBV6	DBV5	DBV4	DBV3	DBV2	DBV1	DBV0	FF												
Description	<p>This command is used to adjust brightness value. In principle relationship is that 00h value means the lowest brightness and FFh value means the highest brightness.</p>																								
Restriction	The display supplier cannot use this command for tuning																								
Register Availability	<table border="1"> <thead> <tr> <th>Status</th> <th>Availability</th> </tr> </thead> <tbody> <tr> <td>Normal Mode On, Idle Mode Off, Sleep Out</td> <td>Yes</td> </tr> <tr> <td>Normal Mode On, Idle Mode On, Sleep Out</td> <td>Yes</td> </tr> <tr> <td>Partial Mode On, Idle Mode Off, Sleep Out</td> <td>Yes</td> </tr> <tr> <td>Partial Mode On, Idle Mode On, Sleep Out</td> <td>Yes</td> </tr> <tr> <td>Sleep In</td> <td>Yes</td> </tr> </tbody> </table>													Status	Availability	Normal Mode On, Idle Mode Off, Sleep Out	Yes	Normal Mode On, Idle Mode On, Sleep Out	Yes	Partial Mode On, Idle Mode Off, Sleep Out	Yes	Partial Mode On, Idle Mode On, Sleep Out	Yes	Sleep In	Yes
Status	Availability																								
Normal Mode On, Idle Mode Off, Sleep Out	Yes																								
Normal Mode On, Idle Mode On, Sleep Out	Yes																								
Partial Mode On, Idle Mode Off, Sleep Out	Yes																								
Partial Mode On, Idle Mode On, Sleep Out	Yes																								
Sleep In	Yes																								
Default	<table border="1"> <thead> <tr> <th>Status</th> <th>Default Value</th> </tr> </thead> <tbody> <tr> <td>Power On Sequence</td> <td>FFh</td> </tr> <tr> <td>SW Reset</td> <td>FFh</td> </tr> <tr> <td>HW Reset</td> <td>FFh</td> </tr> </tbody> </table>													Status	Default Value	Power On Sequence	FFh	SW Reset	FFh	HW Reset	FFh				
Status	Default Value																								
Power On Sequence	FFh																								
SW Reset	FFh																								
HW Reset	FFh																								
Flow chart	<pre> graph TD     A[WRDISBV (51h)] --&gt; B[/Parameter DBV[7:0]/]     B --&gt; C([New Brightness Loaded])     </pre> <p>Legend</p> <ul style="list-style-type: none"> <li>Command: Rectangle</li> <li>Parameter: Parallelogram</li> <li>Display: Oval</li> <li>Action: Arrow</li> <li>Mode: Rounded Rectangle</li> <li>Sequential transfer: Speech bubble</li> </ul>																								

## RDDISBV (5200h): Read Display Brightness

5200H	RDDISBV																								
Inst/Para	R/W	Address		D15-8	D7	D6	D5	D4	D3	D2	D1	D0	HEX												
		MIPI	Other																						
RDDISBV	R	52h	5200h	x	DBV7	DBV6	DBV5	DBV4	DBV3	DBV2	DBV1	DBV0	FF												
Description	This command returns brightness value. In principle relationship is that 00h value means the lowest brightness and FFh value means the highest brightness.																								
Restriction	-																								
Register Availability	<table border="1"> <thead> <tr> <th>Status</th> <th>Availability</th> </tr> </thead> <tbody> <tr> <td>Normal Mode On, Idle Mode Off, Sleep Out</td> <td>Yes</td> </tr> <tr> <td>Normal Mode On, Idle Mode On, Sleep Out</td> <td>Yes</td> </tr> <tr> <td>Partial Mode On, Idle Mode Off, Sleep Out</td> <td>Yes</td> </tr> <tr> <td>Partial Mode On, Idle Mode On, Sleep Out</td> <td>Yes</td> </tr> <tr> <td>Sleep In</td> <td>Yes</td> </tr> </tbody> </table>													Status	Availability	Normal Mode On, Idle Mode Off, Sleep Out	Yes	Normal Mode On, Idle Mode On, Sleep Out	Yes	Partial Mode On, Idle Mode Off, Sleep Out	Yes	Partial Mode On, Idle Mode On, Sleep Out	Yes	Sleep In	Yes
Status	Availability																								
Normal Mode On, Idle Mode Off, Sleep Out	Yes																								
Normal Mode On, Idle Mode On, Sleep Out	Yes																								
Partial Mode On, Idle Mode Off, Sleep Out	Yes																								
Partial Mode On, Idle Mode On, Sleep Out	Yes																								
Sleep In	Yes																								
Default	<table border="1"> <thead> <tr> <th>Status</th> <th>Default Value</th> </tr> </thead> <tbody> <tr> <td>Power On Sequence</td> <td>FFh</td> </tr> <tr> <td>SW Reset</td> <td>FFh</td> </tr> <tr> <td>HW Reset</td> <td>FFh</td> </tr> </tbody> </table>													Status	Default Value	Power On Sequence	FFh	SW Reset	FFh	HW Reset	FFh				
Status	Default Value																								
Power On Sequence	FFh																								
SW Reset	FFh																								
HW Reset	FFh																								
Flow Chart	<p>The flow chart illustrates the communication between a Host and a Driver for the RDDISBV (52hH) command. The Host initiates the process by sending a Command (represented by a rectangle) labeled 'RDDISBV (52hH)'. This command is received by the Driver. The Driver then sends a Parameter (represented by a trapezoid) labeled 'Send parameter DBV[7:0]' back to the Host. A legend on the right side of the chart defines the symbols used: a rectangle for 'Command', a trapezoid for 'Parameter', an oval with an arrow for 'Display', an oval with an arrow for 'Action', a plain oval for 'Mode', and an oval with an arrow for 'Sequential transfer'.</p>																								

## WRCTRLD (5300h): Write Display Control

5300H		WRDISBV																							
Inst/Para	R/W	Address		D15-8	D7	D6	D5	D4	D3	D2	D1	D0	HEX												
		MIPI	Other																						
WRCTRLD	W	53h	5300h	x	0	0	BCTRL	0	DD	0	0	0	28												
Description	BCTRL: Brightness control ,1=enable DD: Display dimming control ,1=enable																								
Restriction	The display supplier cannot use this command for tuning																								
Register Availability	<table border="1"> <thead> <tr> <th>Status</th> <th>Availability</th> </tr> </thead> <tbody> <tr> <td>Normal Mode On, Idle Mode Off, Sleep Out</td> <td>Yes</td> </tr> <tr> <td>Normal Mode On, Idle Mode On, Sleep Out</td> <td>Yes</td> </tr> <tr> <td>Partial Mode On, Idle Mode Off, Sleep Out</td> <td>Yes</td> </tr> <tr> <td>Partial Mode On, Idle Mode On, Sleep Out</td> <td>Yes</td> </tr> <tr> <td>Sleep In</td> <td>Yes</td> </tr> </tbody> </table>													Status	Availability	Normal Mode On, Idle Mode Off, Sleep Out	Yes	Normal Mode On, Idle Mode On, Sleep Out	Yes	Partial Mode On, Idle Mode Off, Sleep Out	Yes	Partial Mode On, Idle Mode On, Sleep Out	Yes	Sleep In	Yes
Status	Availability																								
Normal Mode On, Idle Mode Off, Sleep Out	Yes																								
Normal Mode On, Idle Mode On, Sleep Out	Yes																								
Partial Mode On, Idle Mode Off, Sleep Out	Yes																								
Partial Mode On, Idle Mode On, Sleep Out	Yes																								
Sleep In	Yes																								
Default	<table border="1"> <thead> <tr> <th>Status</th> <th>Default Value</th> </tr> </thead> <tbody> <tr> <td>Power On Sequence</td> <td>28h</td> </tr> <tr> <td>SW Reset</td> <td>28h</td> </tr> <tr> <td>HW Reset</td> <td>28h</td> </tr> </tbody> </table>													Status	Default Value	Power On Sequence	28h	SW Reset	28h	HW Reset	28h				
Status	Default Value																								
Power On Sequence	28h																								
SW Reset	28h																								
HW Reset	28h																								
Flow chart	<div style="display: flex; align-items: center;"> <div style="flex: 1;"> <pre> graph TD     A[WRDISBV (51h)] --&gt; B[/Parameter DBV[7:0]/]     B --&gt; C([New Brightness Loaded])                     </pre> </div> <div style="flex: 1; border: 1px dashed black; padding: 5px;"> <p>Legend</p> <ul style="list-style-type: none"> <li>Command: [ ]</li> <li>Parameter: / /</li> <li>Display: [ ]</li> <li>Action: [ ]</li> <li>Mode: [ ]</li> <li>Sequential transfer: [ ]</li> </ul> </div> </div>																								

## RDCTRLD (5400h): Read Display Control

5400H		RDDISBV																							
Inst/Para	R/W	Address		D15-8	D7	D6	D5	D4	D3	D2	D1	D0	HEX												
		MIPI	Other																						
RDCTRLD	R	54h	5400h	x	0	0	BCTRL	0	DD	0	0	0	28												
Description	BCTRL: Brightness control ,1=enable DD: Display dimming control ,1=enable																								
Restriction	-																								
Register Availability	<table border="1"> <thead> <tr> <th>Status</th> <th>Availability</th> </tr> </thead> <tbody> <tr> <td>Normal Mode On, Idle Mode Off, Sleep Out</td> <td>Yes</td> </tr> <tr> <td>Normal Mode On, Idle Mode On, Sleep Out</td> <td>Yes</td> </tr> <tr> <td>Partial Mode On, Idle Mode Off, Sleep Out</td> <td>Yes</td> </tr> <tr> <td>Partial Mode On, Idle Mode On, Sleep Out</td> <td>Yes</td> </tr> <tr> <td>Sleep In</td> <td>Yes</td> </tr> </tbody> </table>													Status	Availability	Normal Mode On, Idle Mode Off, Sleep Out	Yes	Normal Mode On, Idle Mode On, Sleep Out	Yes	Partial Mode On, Idle Mode Off, Sleep Out	Yes	Partial Mode On, Idle Mode On, Sleep Out	Yes	Sleep In	Yes
Status	Availability																								
Normal Mode On, Idle Mode Off, Sleep Out	Yes																								
Normal Mode On, Idle Mode On, Sleep Out	Yes																								
Partial Mode On, Idle Mode Off, Sleep Out	Yes																								
Partial Mode On, Idle Mode On, Sleep Out	Yes																								
Sleep In	Yes																								
Default	<table border="1"> <thead> <tr> <th>Status</th> <th>Default Value</th> </tr> </thead> <tbody> <tr> <td>Power On Sequence</td> <td>28h</td> </tr> <tr> <td>SW Reset</td> <td>28h</td> </tr> <tr> <td>HW Reset</td> <td>28h</td> </tr> </tbody> </table>													Status	Default Value	Power On Sequence	28h	SW Reset	28h	HW Reset	28h				
Status	Default Value																								
Power On Sequence	28h																								
SW Reset	28h																								
HW Reset	28h																								
Flow Chart	<p>The flow chart illustrates the communication between a Host and a Driver. A box labeled 'RDDISBV (52hH)' is connected to a box labeled 'Send parameter DBV[7:0]'. A dashed line separates the Host (top) from the Driver (bottom). A legend on the right defines symbols: a rectangle for 'Command', a parallelogram for 'Parameter', a trapezoid for 'Display', a diamond for 'Action', an oval for 'Mode', and a speech bubble for 'Sequential transfer'.</p>																								

## IMGEHCCTR (5800h) : Set\_color\_enhance

5800H		WRCE (set_color_enhance)																						
Inst/Para	R/W	Address		D15-8	D7	D6	D5	D4	D3	D2	D1	D0	HEX											
		MIPI	Other																					
<b>WRCE</b>	W	58h	5800h	x	0	0	0	0	0	SLR_EN	SLR_LEV EL1	SLR_LEV EL0	00											
Description	<table border="1"> <thead> <tr> <th>Bit</th> <th>Description</th> <th>Value</th> </tr> </thead> <tbody> <tr> <td>SLR_EN</td> <td>Sunlight Readable Enhancement Enable</td> <td>'0' : disable; '1': enable</td> </tr> <tr> <td>SLR_LEVEL[1:0]</td> <td>Sunlight Readable Enhancement Level</td> <td>0~2, low to high</td> </tr> </tbody> </table>												Bit	Description	Value	SLR_EN	Sunlight Readable Enhancement Enable	'0' : disable; '1': enable	SLR_LEVEL[1:0]	Sunlight Readable Enhancement Level	0~2, low to high			
	Bit	Description	Value																					
SLR_EN	Sunlight Readable Enhancement Enable	'0' : disable; '1': enable																						
SLR_LEVEL[1:0]	Sunlight Readable Enhancement Level	0~2, low to high																						
Restriction																								
Register Availability	<table border="1"> <thead> <tr> <th>Status</th> <th>Availability</th> </tr> </thead> <tbody> <tr> <td>Normal Mode On, Idle Mode Off, Sleep Out</td> <td>Yes</td> </tr> <tr> <td>Normal Mode On, Idle Mode On, Sleep Out</td> <td>Yes</td> </tr> <tr> <td>Partial Mode On, Idle Mode Off, Sleep Out</td> <td>Yes</td> </tr> <tr> <td>Partial Mode On, Idle Mode On, Sleep Out</td> <td>Yes</td> </tr> <tr> <td>Sleep In</td> <td>Yes</td> </tr> </tbody> </table>												Status	Availability	Normal Mode On, Idle Mode Off, Sleep Out	Yes	Normal Mode On, Idle Mode On, Sleep Out	Yes	Partial Mode On, Idle Mode Off, Sleep Out	Yes	Partial Mode On, Idle Mode On, Sleep Out	Yes	Sleep In	Yes
	Status	Availability																						
Normal Mode On, Idle Mode Off, Sleep Out	Yes																							
Normal Mode On, Idle Mode On, Sleep Out	Yes																							
Partial Mode On, Idle Mode Off, Sleep Out	Yes																							
Partial Mode On, Idle Mode On, Sleep Out	Yes																							
Sleep In	Yes																							
Flow Chart	<div style="border: 1px dashed black; padding: 5px;"> <p><b>Legend</b></p> <ul style="list-style-type: none"> <li>Command</li> <li>Parameter</li> <li>Display</li> <li>Action</li> <li>Mode</li> <li>Sequential transfer</li> </ul> </div>																							

**IMGEHCCTR (5900h) : Read\_color\_enhance**

5900H		RDCE (set_color_enhance)																						
Inst/Para	R/W	Address		D15-8	D7	D6	D5	D4	D3	D2	D1	D0	HEX											
		MIPI	Other																					
<b>RDCE</b>	R	59h	5900h	x	0	0	0	0	0	SLR_EN	SLR_LEVEL1	SLR_LEVEL0	00											
Description	<table border="1"> <thead> <tr> <th>Bit</th> <th>Description</th> <th>Value</th> </tr> </thead> <tbody> <tr> <td>SLR_EN</td> <td>Sunlight Readable Enhancement Enable</td> <td>'0': disable; '1': enable</td> </tr> <tr> <td>SLR_LEVEL[1:0]</td> <td>Sunlight Readable Enhancement Level</td> <td>0~2, low to high</td> </tr> </tbody> </table>												Bit	Description	Value	SLR_EN	Sunlight Readable Enhancement Enable	'0': disable; '1': enable	SLR_LEVEL[1:0]	Sunlight Readable Enhancement Level	0~2, low to high			
	Bit	Description	Value																					
SLR_EN	Sunlight Readable Enhancement Enable	'0': disable; '1': enable																						
SLR_LEVEL[1:0]	Sunlight Readable Enhancement Level	0~2, low to high																						
Restriction																								
Register Availability	<table border="1"> <thead> <tr> <th>Status</th> <th>Availability</th> </tr> </thead> <tbody> <tr> <td>Normal Mode On, Idle Mode Off, Sleep Out</td> <td>Yes</td> </tr> <tr> <td>Normal Mode On, Idle Mode On, Sleep Out</td> <td>Yes</td> </tr> <tr> <td>Partial Mode On, Idle Mode Off, Sleep Out</td> <td>Yes</td> </tr> <tr> <td>Partial Mode On, Idle Mode On, Sleep Out</td> <td>Yes</td> </tr> <tr> <td>Sleep In</td> <td>Yes</td> </tr> </tbody> </table>												Status	Availability	Normal Mode On, Idle Mode Off, Sleep Out	Yes	Normal Mode On, Idle Mode On, Sleep Out	Yes	Partial Mode On, Idle Mode Off, Sleep Out	Yes	Partial Mode On, Idle Mode On, Sleep Out	Yes	Sleep In	Yes
	Status	Availability																						
Normal Mode On, Idle Mode Off, Sleep Out	Yes																							
Normal Mode On, Idle Mode On, Sleep Out	Yes																							
Partial Mode On, Idle Mode Off, Sleep Out	Yes																							
Partial Mode On, Idle Mode On, Sleep Out	Yes																							
Sleep In	Yes																							
Flow Chart	<div style="border: 1px dashed black; padding: 10px;"> <p><b>Legend</b></p> <ul style="list-style-type: none"> <li>Command</li> <li>Parameter</li> <li>Display</li> <li>Action</li> <li>Mode</li> <li>Sequential transfer</li> </ul> </div>																							

## CESLRCTR (5A00h) : Set\_color\_enhance1

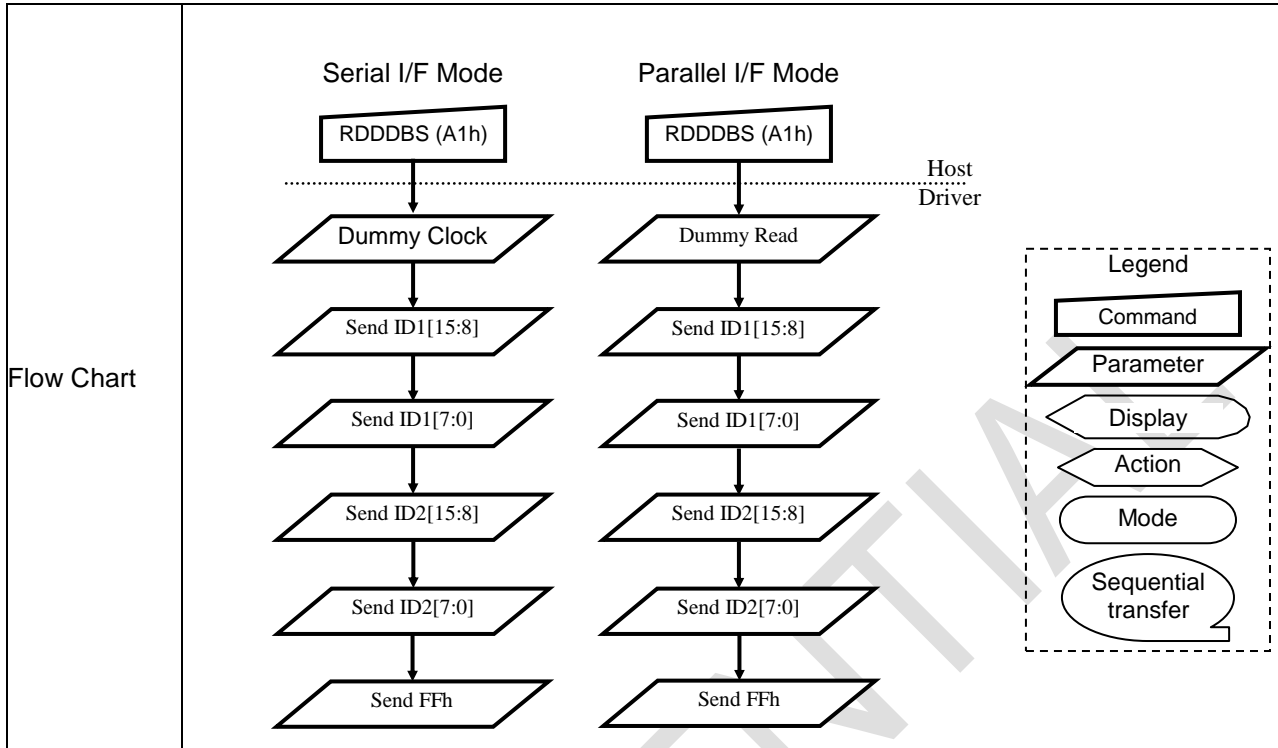
5A00H		CESLRCTR (set_color_enhance1)																						
Inst/Para	R/W	Address		D15-8	D7	D6	D5	D4	D3	D2	D1	D0	HEX											
		MIPI	Other																					
<b>CESLRCTR</b>	W/R	5Ah	5A00h	x	SLR_AM BI_IN7	SLR_AM BI_IN6	SLR_AM BI_IN5	SLR_AM BI_IN4-	SLR_AM BI_IN3	SLR_AM BI_IN2	SLR_AM BI_IN1	SLR_AM BI_IN0	00											
Description	<table border="1"> <thead> <tr> <th>Bit</th> <th>Description</th> <th>Value</th> </tr> </thead> <tbody> <tr> <td>SLR_AMBI_IN[7:0]</td> <td>Low byte of ambient light value</td> <td>00h</td> </tr> </tbody> </table>												Bit	Description	Value	SLR_AMBI_IN[7:0]	Low byte of ambient light value	00h						
	Bit	Description	Value																					
SLR_AMBI_IN[7:0]	Low byte of ambient light value	00h																						
Restriction																								
Register Availability	<table border="1"> <thead> <tr> <th>Status</th> <th>Availability</th> </tr> </thead> <tbody> <tr> <td>Normal Mode On, Idle Mode Off, Sleep Out</td> <td>Yes</td> </tr> <tr> <td>Normal Mode On, Idle Mode On, Sleep Out</td> <td>Yes</td> </tr> <tr> <td>Partial Mode On, Idle Mode Off, Sleep Out</td> <td>Yes</td> </tr> <tr> <td>Partial Mode On, Idle Mode On, Sleep Out</td> <td>Yes</td> </tr> <tr> <td>Sleep In</td> <td>Yes</td> </tr> </tbody> </table>												Status	Availability	Normal Mode On, Idle Mode Off, Sleep Out	Yes	Normal Mode On, Idle Mode On, Sleep Out	Yes	Partial Mode On, Idle Mode Off, Sleep Out	Yes	Partial Mode On, Idle Mode On, Sleep Out	Yes	Sleep In	Yes
	Status	Availability																						
Normal Mode On, Idle Mode Off, Sleep Out	Yes																							
Normal Mode On, Idle Mode On, Sleep Out	Yes																							
Partial Mode On, Idle Mode Off, Sleep Out	Yes																							
Partial Mode On, Idle Mode On, Sleep Out	Yes																							
Sleep In	Yes																							
Flow Chart	<div style="border: 1px dashed black; padding: 5px;"> <p><b>Legend</b></p> <ul style="list-style-type: none"> <li>Command </li> <li>Parameter </li> <li>Display </li> <li>Action </li> <li>Mode </li> <li>Sequential transfer </li> </ul> </div>																							

## CESLRCTR (5B00h) : set\_color\_enhance1

5B00H		CESLRCTR (set_color_enhance1)																						
Inst/Para	R/W	Address		D15-8	D7	D6	D5	D4	D3	D2	D1	D0	HEX											
		MIPI	Other																					
CESLRCTR	W/R	5Bh	5B00h	x	SLR_AM BI_IN15	SLR_AM BI_IN14	SLR_AM BI_IN13	SLR_AM BI_IN12	SLR_AM BI_IN11	SLR_AM BI_IN10	SLR_AM BI_IN9	SLR_AM BI_IN8	00											
Description	<table border="1"> <thead> <tr> <th>Bit</th> <th>Description</th> <th>Value</th> </tr> </thead> <tbody> <tr> <td>SLR_AMBI_IN[15:8]</td> <td>High byte of ambient light value</td> <td>00h</td> </tr> </tbody> </table>												Bit	Description	Value	SLR_AMBI_IN[15:8]	High byte of ambient light value	00h						
	Bit	Description	Value																					
SLR_AMBI_IN[15:8]	High byte of ambient light value	00h																						
Restriction	-																							
Register Availability	<table border="1"> <thead> <tr> <th>Status</th> <th>Availability</th> </tr> </thead> <tbody> <tr> <td>Normal Mode On, Idle Mode Off, Sleep Out</td> <td>Yes</td> </tr> <tr> <td>Normal Mode On, Idle Mode On, Sleep Out</td> <td>Yes</td> </tr> <tr> <td>Partial Mode On, Idle Mode Off, Sleep Out</td> <td>Yes</td> </tr> <tr> <td>Partial Mode On, Idle Mode On, Sleep Out</td> <td>Yes</td> </tr> <tr> <td>Sleep In</td> <td>Yes</td> </tr> </tbody> </table>												Status	Availability	Normal Mode On, Idle Mode Off, Sleep Out	Yes	Normal Mode On, Idle Mode On, Sleep Out	Yes	Partial Mode On, Idle Mode Off, Sleep Out	Yes	Partial Mode On, Idle Mode On, Sleep Out	Yes	Sleep In	Yes
	Status	Availability																						
Normal Mode On, Idle Mode Off, Sleep Out	Yes																							
Normal Mode On, Idle Mode On, Sleep Out	Yes																							
Partial Mode On, Idle Mode Off, Sleep Out	Yes																							
Partial Mode On, Idle Mode On, Sleep Out	Yes																							
Sleep In	Yes																							
Flow Chart	<div style="border: 1px dashed black; padding: 10px;"> <p><b>Legend</b></p> <ul style="list-style-type: none"> <li>Command</li> <li>Parameter</li> <li>Display</li> <li>Action</li> <li>Mode</li> <li>Sequential transfer</li> </ul> </div>																							

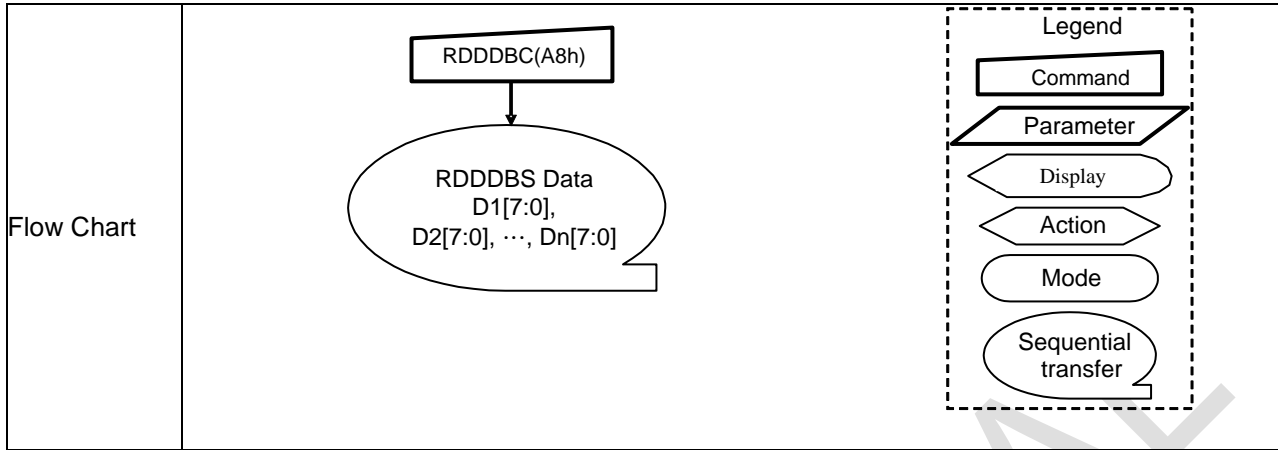
## RDDDBS(A100h) : Read\_DDB\_Start

A100H	RDDDBS(Read_DDB_Start)																										
Inst/Para	R/W	Address		D15-8	D7	D6	D5	D4	D3	D2	D1	D0	HEX														
		MIPI	Other																								
RDDDBS	R	A1h	A100h	x	SID[7]	SID [6]	SID [5]	SID [4]	SID [3]	SID [2]	SID [1]	SID [0]	D0														
			A101h	x	SID[15]	SID[14]	SID[13]	SID[12]	SID[11]	SID[10]	SID[9]	SID[8]	01														
			A102h	x	MID[7]	MID[6]	MID[5]	MID[4]	MID[3]	MID[2]	MID[1]	MID[0]	80														
			A103h	x	MID[15]	MID[14]	MID[13]	MID[12]	MID[11]	MID[10]	MID[9]	MID[8]	90														
			A104h	x	1	1	1	1	1	1	1	1	1	FF													
Description	1 <sup>st</sup> 2 <sup>nd</sup> 3 <sup>rd</sup> 4 <sup>th</sup> 5 <sup>th</sup>	parameter: Supplier ID code parameter: Supplier ID code parameter: Module ID parameter: Module ID Exit code (FFh).																									
Restriction																											
Register Availability	<table border="1"> <thead> <tr> <th>Status</th> <th>Availability</th> </tr> </thead> <tbody> <tr> <td>Normal Mode On, Idle Mode Off, Sleep Out</td> <td>Yes</td> </tr> <tr> <td>Normal Mode On, Idle Mode On, Sleep Out</td> <td>Yes</td> </tr> <tr> <td>Partial Mode On, Idle Mode Off, Sleep Out</td> <td>Yes</td> </tr> <tr> <td>Partial Mode On, Idle Mode On, Sleep Out</td> <td>Yes</td> </tr> <tr> <td>Sleep In</td> <td>Yes</td> </tr> </tbody> </table>													Status	Availability	Normal Mode On, Idle Mode Off, Sleep Out	Yes	Normal Mode On, Idle Mode On, Sleep Out	Yes	Partial Mode On, Idle Mode Off, Sleep Out	Yes	Partial Mode On, Idle Mode On, Sleep Out	Yes	Sleep In	Yes		
Status	Availability																										
Normal Mode On, Idle Mode Off, Sleep Out	Yes																										
Normal Mode On, Idle Mode On, Sleep Out	Yes																										
Partial Mode On, Idle Mode Off, Sleep Out	Yes																										
Partial Mode On, Idle Mode On, Sleep Out	Yes																										
Sleep In	Yes																										
Default	<table border="1"> <thead> <tr> <th rowspan="2">Status</th> <th colspan="2">Default Value</th> </tr> <tr> <th>After MTP</th> <th>Before MTP</th> </tr> </thead> <tbody> <tr> <td>Power On Sequence</td> <td>MTP Value</td> <td>01h, D0h, 90h, 60h, FFh</td> </tr> <tr> <td>SW Reset</td> <td>MTP Value</td> <td>01h, D0h, 90h, 60h, FFh</td> </tr> <tr> <td>HW Reset</td> <td>MTP Value</td> <td>01h, D0h, 90h, 60h, FFh</td> </tr> </tbody> </table>													Status	Default Value		After MTP	Before MTP	Power On Sequence	MTP Value	01h, D0h, 90h, 60h, FFh	SW Reset	MTP Value	01h, D0h, 90h, 60h, FFh	HW Reset	MTP Value	01h, D0h, 90h, 60h, FFh
Status	Default Value																										
	After MTP	Before MTP																									
Power On Sequence	MTP Value	01h, D0h, 90h, 60h, FFh																									
SW Reset	MTP Value	01h, D0h, 90h, 60h, FFh																									
HW Reset	MTP Value	01h, D0h, 90h, 60h, FFh																									



## RDDDBC(A800h) : Read DDB Continous

A800H	RDDDBC																										
Inst/Para	R/W	Address		D15-8	D7	D6	D5	D4	D3	D2	D1	D0	HEX														
		MIPI	Other																								
RDDDBC	R	A8h	A800h	x	SID[7]	SID [6]	SID [5]	SID [4]	SID [3]	SID [2]	SID [1]	SID [0]	D0														
			A801h	x	SID[15]	SID[14]	SID[13]	SID[12]	SID[11]	SID[10]	SID[9]	SID[8]	01														
			A802h	x	MID[7]	MID[6]	MID[5]	MID[4]	MID[3]	MID[2]	MID[1]	MID[0]	80														
			A803h	x	MID[15]	MID[14]	MID[13]	MID[12]	MID[11]	MID[10]	MID[9]	MID[8]	90														
			A804h	x	1	1	1	1	1	1	1	1	1	FF													
Description	<p>This command returns the supplier identification and display module mode/revision information from the point where RDDDBS command was interrupted by an other command.  <i>Note: Parameter 0xFF is an "Exit Code", this means that there is no more data in the DDB block.</i>  <i>Note: For use example,</i></p> <ol style="list-style-type: none"> <li>1. Set maximum return packet size=3</li> <li>2. Read 0xA1, return 3 bytes SID[7:0], SID[15:8], MID[7:0]</li> <li>3. Read 0xA8, return 2 bytes MID[15:8],RID[7:0], RID[15:8] and 0xFF</li> </ol>																										
Restriction	<p>A Read DDB Start command (RDDDBS) should be executed at least once before a Read DDB Continue command (RDDDBC) to define the read location. Otherwise, data read with a Read DDB Continue command is undefined.</p>																										
Register Availability	<table border="1"> <thead> <tr> <th>Status</th> <th>Availability</th> </tr> </thead> <tbody> <tr> <td>Normal Mode On, Idle Mode Off, Sleep Out</td> <td>Yes</td> </tr> <tr> <td>Normal Mode On, Idle Mode On, Sleep Out</td> <td>Yes</td> </tr> <tr> <td>Partial Mode On, Idle Mode Off, Sleep Out</td> <td>Yes</td> </tr> <tr> <td>Partial Mode On, Idle Mode On, Sleep Out</td> <td>Yes</td> </tr> <tr> <td>Sleep In</td> <td>Yes</td> </tr> </tbody> </table>													Status	Availability	Normal Mode On, Idle Mode Off, Sleep Out	Yes	Normal Mode On, Idle Mode On, Sleep Out	Yes	Partial Mode On, Idle Mode Off, Sleep Out	Yes	Partial Mode On, Idle Mode On, Sleep Out	Yes	Sleep In	Yes		
Status	Availability																										
Normal Mode On, Idle Mode Off, Sleep Out	Yes																										
Normal Mode On, Idle Mode On, Sleep Out	Yes																										
Partial Mode On, Idle Mode Off, Sleep Out	Yes																										
Partial Mode On, Idle Mode On, Sleep Out	Yes																										
Sleep In	Yes																										
Default	<table border="1"> <thead> <tr> <th rowspan="2">Status</th> <th colspan="2">Default Value</th> </tr> <tr> <th>After MTP</th> <th>Before MTP</th> </tr> </thead> <tbody> <tr> <td>Power On Sequence</td> <td>MTP Value</td> <td>01h, D0h, 90h, 60h, FFh</td> </tr> <tr> <td>SW Reset</td> <td>MTP Value</td> <td>01h, D0h, 90h, 60h, FFh</td> </tr> <tr> <td>HW Reset</td> <td>MTP Value</td> <td>01h, D0h, 90h, 60h, FFh</td> </tr> </tbody> </table>													Status	Default Value		After MTP	Before MTP	Power On Sequence	MTP Value	01h, D0h, 90h, 60h, FFh	SW Reset	MTP Value	01h, D0h, 90h, 60h, FFh	HW Reset	MTP Value	01h, D0h, 90h, 60h, FFh
Status	Default Value																										
	After MTP	Before MTP																									
Power On Sequence	MTP Value	01h, D0h, 90h, 60h, FFh																									
SW Reset	MTP Value	01h, D0h, 90h, 60h, FFh																									
HW Reset	MTP Value	01h, D0h, 90h, 60h, FFh																									



CONFIDENTIAL

## RDFCS(AA00h) : Read First Checksum

AA00H	RDFCS																								
Inst/Para	R/W	Address		D15-8	D7	D6	D5	D4	D3	D2	D1	D0	HEX												
		MIPI	Other																						
RDFCS	R	AAh	AA00h	x	FCS7	FCS6	FCS5	FCS4	FCS3	FCS2	FCS1	FCS0	00												
Description	This command returns the first checksum what has been calculated from "User Command Set" area registers (not include "Manufacture Command Set) and the frame memory after the write access to those registers and/or frame memory has been done.																								
Restriction	It will be necessary to wait 150ms after there is the last write access on "User Command Set" area registers before there can read this checksum value.																								
Register Availability	<table border="1"> <thead> <tr> <th>Status</th> <th>Availability</th> </tr> </thead> <tbody> <tr> <td>Normal Mode On, Idle Mode Off, Sleep Out</td> <td>Yes</td> </tr> <tr> <td>Normal Mode On, Idle Mode On, Sleep Out</td> <td>Yes</td> </tr> <tr> <td>Partial Mode On, Idle Mode Off, Sleep Out</td> <td>Yes</td> </tr> <tr> <td>Partial Mode On, Idle Mode On, Sleep Out</td> <td>Yes</td> </tr> <tr> <td>Sleep In</td> <td>Yes</td> </tr> </tbody> </table>													Status	Availability	Normal Mode On, Idle Mode Off, Sleep Out	Yes	Normal Mode On, Idle Mode On, Sleep Out	Yes	Partial Mode On, Idle Mode Off, Sleep Out	Yes	Partial Mode On, Idle Mode On, Sleep Out	Yes	Sleep In	Yes
Status	Availability																								
Normal Mode On, Idle Mode Off, Sleep Out	Yes																								
Normal Mode On, Idle Mode On, Sleep Out	Yes																								
Partial Mode On, Idle Mode Off, Sleep Out	Yes																								
Partial Mode On, Idle Mode On, Sleep Out	Yes																								
Sleep In	Yes																								
Default	<table border="1"> <thead> <tr> <th>Status</th> <th>Default Value</th> </tr> </thead> <tbody> <tr> <td>Power On Sequence</td> <td>00h</td> </tr> <tr> <td>S/W Reset</td> <td>00h</td> </tr> <tr> <td>H/W Reset</td> <td>00h</td> </tr> </tbody> </table>													Status	Default Value	Power On Sequence	00h	S/W Reset	00h	H/W Reset	00h				
Status	Default Value																								
Power On Sequence	00h																								
S/W Reset	00h																								
H/W Reset	00h																								
Flow Chart	<pre> graph TD     A[RDFCS(AAh)] --&gt; B[/Send Parameter FCS[7:0]/]     </pre> <p><b>Legend</b></p> <ul style="list-style-type: none"> <li>Command: Rectangle</li> <li>Parameter: Parallelogram</li> <li>Display: Oval</li> <li>Action: Pointed Oval</li> <li>Mode: Rounded Rectangle</li> <li>Sequential transfer: Oval with tail</li> </ul>																								

## RDCCS(AF00h) : Read Continue Checksum

AF00H		RDCCS																							
Inst/Para	R/W	Address		D15-8	D7	D6	D5	D4	D3	D2	D1	D0	HEX												
		MIPI	Other																						
RDCCS	R	AFh	AF00h	x	CCS7	CCS6	CCS5	CCS4	CCS3	CCS2	CCS1	CCS0	00												
Description	This command returns the continue checksum what has been calculated continuously after the first checksum has calculated from "User Command Set" area registers and the frame memory after the write access to those registers and/or frame memory has been done.																								
Restriction	It will be necessary to wait 300ms after there is the last write access on "User Command Set" area registers before there can read this checksum value in the first time.																								
Register Availability	<table border="1"> <thead> <tr> <th>Status</th> <th>Availability</th> </tr> </thead> <tbody> <tr> <td>Normal Mode On, Idle Mode Off, Sleep Out</td> <td>Yes</td> </tr> <tr> <td>Normal Mode On, Idle Mode On, Sleep Out</td> <td>Yes</td> </tr> <tr> <td>Partial Mode On, Idle Mode Off, Sleep Out</td> <td>Yes</td> </tr> <tr> <td>Partial Mode On, Idle Mode On, Sleep Out</td> <td>Yes</td> </tr> <tr> <td>Sleep In</td> <td>Yes</td> </tr> </tbody> </table>													Status	Availability	Normal Mode On, Idle Mode Off, Sleep Out	Yes	Normal Mode On, Idle Mode On, Sleep Out	Yes	Partial Mode On, Idle Mode Off, Sleep Out	Yes	Partial Mode On, Idle Mode On, Sleep Out	Yes	Sleep In	Yes
Status	Availability																								
Normal Mode On, Idle Mode Off, Sleep Out	Yes																								
Normal Mode On, Idle Mode On, Sleep Out	Yes																								
Partial Mode On, Idle Mode Off, Sleep Out	Yes																								
Partial Mode On, Idle Mode On, Sleep Out	Yes																								
Sleep In	Yes																								
Default	<table border="1"> <thead> <tr> <th>Status</th> <th>Default Value</th> </tr> </thead> <tbody> <tr> <td>Power On Sequence</td> <td>00h</td> </tr> <tr> <td>S/W Reset</td> <td>00h</td> </tr> <tr> <td>H/W Reset</td> <td>00h</td> </tr> </tbody> </table>													Status	Default Value	Power On Sequence	00h	S/W Reset	00h	H/W Reset	00h				
Status	Default Value																								
Power On Sequence	00h																								
S/W Reset	00h																								
H/W Reset	00h																								
Flow Chart	<pre> graph TD     A[RDCCS(AFh)] --&gt; B[/Send Parameter CCS[7:0]/]     </pre> <p><b>Legend</b></p> <ul style="list-style-type: none"> <li>Command: Rectangle</li> <li>Parameter: Parallelogram</li> <li>Display: Oval</li> <li>Action: Pointed Oval</li> <li>Mode: Rounded Rectangle</li> <li>Sequential transfer: Oval with tail</li> </ul>																								

## SetHBMMode (B000h) : Set\_HBM Mode

B000H		SetHBMMode																							
Inst/Para	R/W	Address		D15-8	D7	D6	D5	D4	D3	D2	D1	D0	HEX												
		MIPI	Other																						
SetHBMMode	W/R	B0h	B000h	x	0	0	0	0	0	1	HBM_EN	0	04												
Description	<table border="1"> <thead> <tr> <th>Bit</th> <th>Description</th> <th>Value</th> </tr> </thead> <tbody> <tr> <td>HBM_EN</td> <td>High brightness mode selection</td> <td>HBM_EN=1: Select HBM mode</td> </tr> </tbody> </table>													Bit	Description	Value	HBM_EN	High brightness mode selection	HBM_EN=1: Select HBM mode						
	Bit	Description	Value																						
HBM_EN	High brightness mode selection	HBM_EN=1: Select HBM mode																							
Restriction																									
Register Availability	<table border="1"> <thead> <tr> <th>Status</th> <th>Availability</th> </tr> </thead> <tbody> <tr> <td>Normal Mode On, Idle Mode Off, Sleep Out</td> <td>Yes</td> </tr> <tr> <td>Normal Mode On, Idle Mode On, Sleep Out</td> <td>Yes</td> </tr> <tr> <td>Partial Mode On, Idle Mode Off, Sleep Out</td> <td>Yes</td> </tr> <tr> <td>Partial Mode On, Idle Mode On, Sleep Out</td> <td>Yes</td> </tr> <tr> <td>Sleep In</td> <td>Yes</td> </tr> </tbody> </table>													Status	Availability	Normal Mode On, Idle Mode Off, Sleep Out	Yes	Normal Mode On, Idle Mode On, Sleep Out	Yes	Partial Mode On, Idle Mode Off, Sleep Out	Yes	Partial Mode On, Idle Mode On, Sleep Out	Yes	Sleep In	Yes
Status	Availability																								
Normal Mode On, Idle Mode Off, Sleep Out	Yes																								
Normal Mode On, Idle Mode On, Sleep Out	Yes																								
Partial Mode On, Idle Mode Off, Sleep Out	Yes																								
Partial Mode On, Idle Mode On, Sleep Out	Yes																								
Sleep In	Yes																								
Flow Chart	<div style="border: 1px dashed black; padding: 5px;"> <p>Legend</p> <ul style="list-style-type: none"> <li>Command</li> <li>Parameter</li> <li>Display</li> <li>Action</li> <li>Mode</li> <li>Sequential transfer</li> </ul> </div>																								

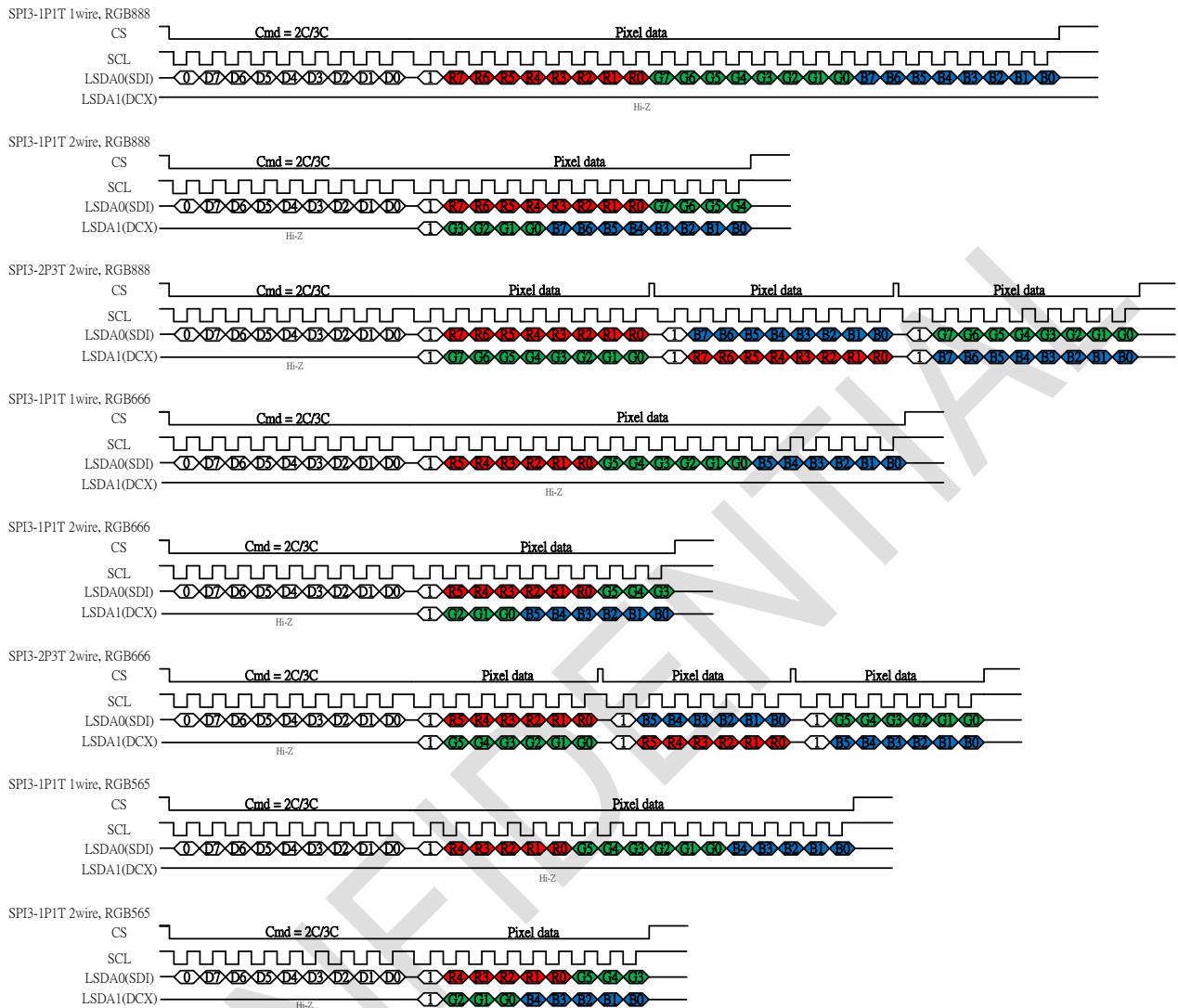
## SetDSIMode (C200h) : set\_DSI Mode

C200H		SetDSIMode																							
Inst/Para	R/W	Address		D15-8	D7	D6	D5	D4	D3	D2	D1	D0	HEX												
		MIPI	Other																						
SetDSIMode	W/R	C2h	C200h	x	0	0	0	0	0	0	DM1	DM0	00												
Description	<table border="1"> <thead> <tr> <th>Bit</th> <th>Description</th> <th>Value</th> </tr> </thead> <tbody> <tr> <td>DM[1:0]</td> <td>Display timing mode selection</td> <td>2'b00: internal timing 2'b01: reserved 2'b10: VSYNC align mode 2'b11: external timing (VSYNC + HSYNC align mode)</td> </tr> </tbody> </table>			Bit	Description	Value	DM[1:0]	Display timing mode selection	2'b00: internal timing 2'b01: reserved 2'b10: VSYNC align mode 2'b11: external timing (VSYNC + HSYNC align mode)																
	Bit	Description	Value																						
DM[1:0]	Display timing mode selection	2'b00: internal timing 2'b01: reserved 2'b10: VSYNC align mode 2'b11: external timing (VSYNC + HSYNC align mode)																							
Restriction	<p>Note: (1) If video mode, need to set DM[1:0] = 2'b11.</p>																								
Register Availability	<table border="1"> <thead> <tr> <th>Status</th> <th>Availability</th> </tr> </thead> <tbody> <tr> <td>Normal Mode On, Idle Mode Off, Sleep Out</td> <td>Yes</td> </tr> <tr> <td>Normal Mode On, Idle Mode On, Sleep Out</td> <td>Yes</td> </tr> <tr> <td>Partial Mode On, Idle Mode Off, Sleep Out</td> <td>Yes</td> </tr> <tr> <td>Partial Mode On, Idle Mode On, Sleep Out</td> <td>Yes</td> </tr> <tr> <td>Sleep In</td> <td>Yes</td> </tr> </tbody> </table>													Status	Availability	Normal Mode On, Idle Mode Off, Sleep Out	Yes	Normal Mode On, Idle Mode On, Sleep Out	Yes	Partial Mode On, Idle Mode Off, Sleep Out	Yes	Partial Mode On, Idle Mode On, Sleep Out	Yes	Sleep In	Yes
	Status	Availability																							
Normal Mode On, Idle Mode Off, Sleep Out	Yes																								
Normal Mode On, Idle Mode On, Sleep Out	Yes																								
Partial Mode On, Idle Mode Off, Sleep Out	Yes																								
Partial Mode On, Idle Mode On, Sleep Out	Yes																								
Sleep In	Yes																								
Flow Chart	<div style="border: 1px dashed black; padding: 10px;"> <p>Legend</p> <ul style="list-style-type: none"> <li>Command</li> <li>Parameter</li> <li>Display</li> <li>Action</li> <li>Mode</li> <li>Sequential transfer</li> </ul> </div>																								

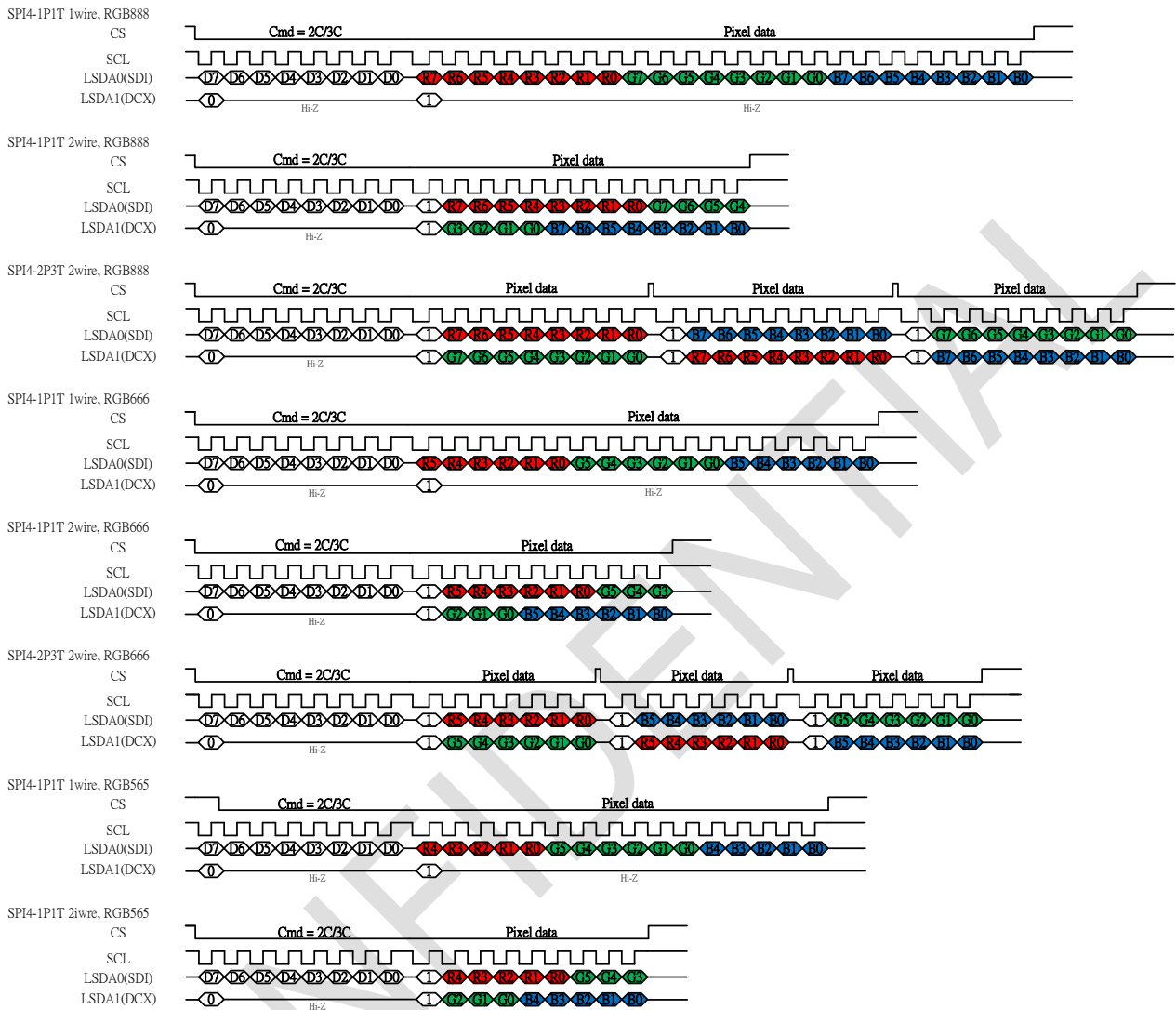
## SetDSPIMode (C400h) : set\_DSPI Mode

C400H		Set DSPI mode																							
Inst/Para	R/W	Address		D15-8	D7	D6	D5	D4	D3	D2	D1	D0	HEX												
		MIPI	Other																						
SetDSPIMode	W/R	C2h	C200h	x	SPI_WRAM	-	DSPI_CFG1	DSPI_CFG0	-	-	-	DSPI_EN	00												
Description	<table border="1"> <thead> <tr> <th>Bit</th> <th>Description</th> <th>Value</th> </tr> </thead> <tbody> <tr> <td>DSPI_EN</td> <td><b>DAUL SPI MODE Enable</b></td> <td>0: disable 1: enable</td> </tr> <tr> <td>DSPI_CFG[1:0]</td> <td>DAUL SPI MODE Selection</td> <td>00: 1P1T for 1 wire 10: 1P1T for 2 wire 11: 2P3T for 2 wire 01: reserved</td> </tr> <tr> <td>SPI_WRAM</td> <td>This command is used in SPI/SPINK interfaces. Making sure to set SPI_WRAM=1 before host writes SRAM via SPI/SPINK interfaces.</td> <td>0: disable 1: SPI interface write RAM enable</td> </tr> </tbody> </table>			Bit	Description	Value	DSPI_EN	<b>DAUL SPI MODE Enable</b>	0: disable 1: enable	DSPI_CFG[1:0]	DAUL SPI MODE Selection	00: 1P1T for 1 wire 10: 1P1T for 2 wire 11: 2P3T for 2 wire 01: reserved	SPI_WRAM	This command is used in SPI/SPINK interfaces. Making sure to set SPI_WRAM=1 before host writes SRAM via SPI/SPINK interfaces.	0: disable 1: SPI interface write RAM enable	<p>Note: detailed DAUL SPI formats are described at next page.</p>									
	Bit	Description	Value																						
	DSPI_EN	<b>DAUL SPI MODE Enable</b>	0: disable 1: enable																						
	DSPI_CFG[1:0]	DAUL SPI MODE Selection	00: 1P1T for 1 wire 10: 1P1T for 2 wire 11: 2P3T for 2 wire 01: reserved																						
SPI_WRAM	This command is used in SPI/SPINK interfaces. Making sure to set SPI_WRAM=1 before host writes SRAM via SPI/SPINK interfaces.	0: disable 1: SPI interface write RAM enable																							
Restriction																									
Register Availability	<table border="1"> <thead> <tr> <th>Status</th> <th>Availability</th> </tr> </thead> <tbody> <tr> <td><b>Normal Mode On, Idle Mode Off, Sleep Out</b></td> <td><b>Yes</b></td> </tr> <tr> <td><b>Normal Mode On, Idle Mode On, Sleep Out</b></td> <td><b>Yes</b></td> </tr> <tr> <td><b>Partial Mode On, Idle Mode Off, Sleep Out</b></td> <td><b>Yes</b></td> </tr> <tr> <td><b>Partial Mode On, Idle Mode On, Sleep Out</b></td> <td><b>Yes</b></td> </tr> <tr> <td><b>Sleep In</b></td> <td><b>Yes</b></td> </tr> </tbody> </table>													Status	Availability	<b>Normal Mode On, Idle Mode Off, Sleep Out</b>	<b>Yes</b>	<b>Normal Mode On, Idle Mode On, Sleep Out</b>	<b>Yes</b>	<b>Partial Mode On, Idle Mode Off, Sleep Out</b>	<b>Yes</b>	<b>Partial Mode On, Idle Mode On, Sleep Out</b>	<b>Yes</b>	<b>Sleep In</b>	<b>Yes</b>
Status	Availability																								
<b>Normal Mode On, Idle Mode Off, Sleep Out</b>	<b>Yes</b>																								
<b>Normal Mode On, Idle Mode On, Sleep Out</b>	<b>Yes</b>																								
<b>Partial Mode On, Idle Mode Off, Sleep Out</b>	<b>Yes</b>																								
<b>Partial Mode On, Idle Mode On, Sleep Out</b>	<b>Yes</b>																								
<b>Sleep In</b>	<b>Yes</b>																								
Flow Chart	<div style="border: 1px dashed black; padding: 10px;"> <p>Legend</p> <ul style="list-style-type: none"> <li>Command</li> <li>Parameter</li> <li>Display</li> <li>Action</li> <li>Mode</li> <li>Sequential transfer</li> </ul> </div>																								

## DUAL SPI via SPI3 interface :

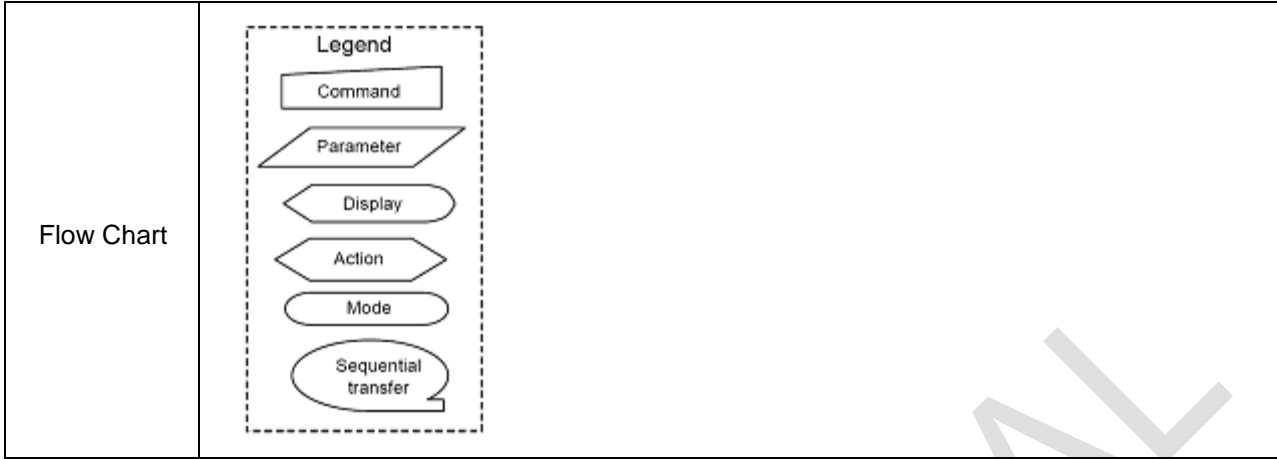


## DUAL SPI via SPI4 interface :



## (FE00h): CMD Mode Switch

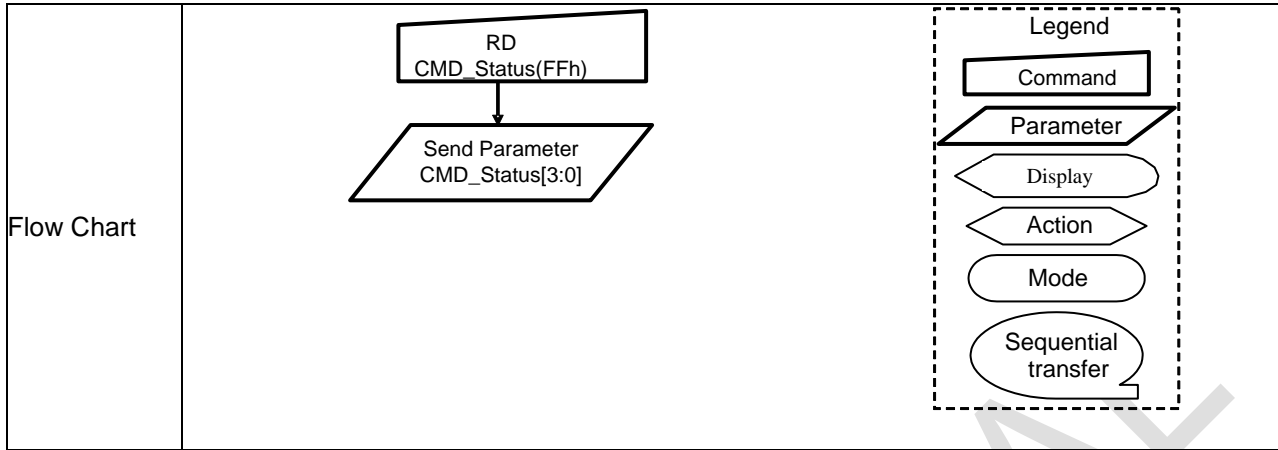
FE00H		MAUCCTR (Manufacture Command Set Control)											
Instruction	R/W	Address		Parameter									
		MIPI	Others	D15-D8	D7	D6	D5	D4	D3	D2	D1	D0	HEX
<b>CMD Mode Switch</b>	W/R	FEh	FE00h	00h	0	0	0	0	CMD_Page[3:0]			00	
Description	This command is used to switch the Manufacture Command Pages and User Commands sets.												
	CMD_Page[3:0]		Hex Value		Description								
	0000		00h (default)		User Command Set (UCS = CMD1)								
	0001		01h		Manufacture Command Set Page0 ( CMD2 P0)								
	0010		02h		Manufacture Command Set Page1 ( CMD2 P1)								
	0011		03h		Manufacture Command Set Page2 ( CMD2 P2)								
	0100		04h		Manufacture Command Set Page3 ( CMD2 P3)								
	0101		05h		Manufacture Command Set Page4 ( CMD2 P4)								
Restriction	-												
Register Availability	Status				Availability								
	Normal Mode On, Idle Mode Off, Sleep Out				Yes								
	Normal Mode On, Idle Mode On, Sleep Out				Yes								
	Partial Mode On, Idle Mode Off, Sleep Out				Yes								
	Partial Mode On, Idle Mode On, Sleep Out				Yes								
	Sleep In				Yes								
Default	Status		Default Value										
			FEh / FE00h										
	Power On Sequence		00h										
	S/W Reset		00h										
	H/W Reset		00h										



CONFIDENTIAL

## (FF00h): Read CMD Status

FF00H	MAUCCTR (Manufacture Command Set Control)												
Instruction	R/W	Address		Parameter									
		MIPI	Others	D15-D8	D7	D6	D5	D4	D3	D2	D1	D0	HEX
RD CMD Status	R	FFh	FF00h	00h	0	0	0	0	0	CMD_Status[3:0]			00
Description	This command is used to switch the Manufacture Command Pages and User Commands sets.												
	CMD_Status[3:0]		Hex Value		Description								
	0000		00h (default)		User Command Set (UCS = CMD1)								
	0001		01h		Manufacture Command Set Page0 ( CMD2 P0)								
	0010		02h		Manufacture Command Set Page1 ( CMD2 P1)								
	0011		03h		Manufacture Command Set Page2 ( CMD2 P2)								
	0100		04h		Manufacture Command Set Page3 ( CMD2 P3)								
	0101		05h		Manufacture Command Set Page4 ( CMD2 P4)								
Restriction	-												
Register Availability	Status		Availability										
	Normal Mode On, Idle Mode Off, Sleep Out		Yes										
	Normal Mode On, Idle Mode On, Sleep Out		Yes										
	Partial Mode On, Idle Mode Off, Sleep Out		Yes										
	Partial Mode On, Idle Mode On, Sleep Out		Yes										
	Sleep In		Yes										
Default	Status		Default Value										
			FFh / FF00h										
	Power On Sequence		00h										
	S/W Reset		00h										
	H/W Reset		00h										



CONFIDENTIAL

## 7. Electrical Characteristics

### 7.1 Absolute Maximum Ratings

The absolute maximum rating is listed on following table. When RM67162 is used out of the absolute maximum ratings, the RM67162 may be permanently damaged. To use the RM67162 within the following electrical characteristics limit is strongly recommended for normal operation. If these electrical characteristic conditions are exceeded during normal operation, the RM67162 will malfunction and cause poor reliability.

item	Symbol	Value	Unit
Power supply voltage	VDDI	-0.3 ~ + 5.5	V
Power supply voltage	VDD (VDDA, VDDDB, VDDDR)	-0.3 ~ + 5.5	V
Supply voltage (MV)	AVDD-AVSS	-0.3 ~ + 6.6	V
	VCL-AVSS	-0.3 ~ + 6.6	V
Supply voltage (HV)	VGH - VGLX	-0.3 ~ + 33	V
Input voltage	VIN	-0.3 ~ VDDI+ 0.3	V
Output voltage	VO	-0.3 ~ VDDI+ 0.3	V
Operating temperature	Topr	-40 ~ + 85	°C
Storage temperature	Tstg	-55 ~ + 125	°C
Notes: If one of the above items is exceeded its maximum limitation momentarily, the quality of the product may be degraded. Absolute maximum limitation. Therefore, specify the values exceeding which the product may be physically damaged. Be sure to use the product within the recommend range.			

### 7.2 ESD Protection Level

Model	Test Condition	Level
Human Body Mode	R = 1.5 kohm / C = 100 pF	Pass 3KV
Machine Mode	R = 0 ohm / C = 200 pF	Pass 300V

### 7.3 Latch-Up Protection Level

The device will not latch up at trigger current levels less than  $\pm 200$  mA.

## 7.4 DC Characteristics

7.4.1 Basic Characteristics	Symbol	Condition	Min.	Typ.	Max.	Unit	Related Pins
<b>Parameter</b>							
Analog Power Supply Voltage	VDD	Operation Voltage	2.7	2.8	3.6	V	Note 1
I/O pin Power Supply Voltage	VDDI	I/O supply voltage	1.65	1.8	3.3	V	Note 1,2
Logic High level input voltage	VIH	VDDI = 1.65V ~ 3.3V	0.8* VDDI	-	VDDI	V	Note 3
Logic Low level input voltage	VIL	VDDI = 1.65V ~ 3.3V	0.0	-	0.2* VDDI	V	Note 3
Logic High level Output voltage	VOH	Iout = -1 mA	0.8* VDDI	-	VDDI	V	Note 3
Logic Low level Output voltage	VOL	Iout = +1 mA	0.0	-	0.2* VDDI	V	Note 3
Logic High level input current (Except MIPI)	IIHD	Vin=0~VDDI			1	uA	Note 3
Logic Low level input current (Except MIPI)	IILD	Vin=0~VDDI	-1			uA	Note 3
Logic High level input current (MIPI)	IIHD	Vin=0~VDDI			1	uA	Note 3
Logic Low level input current (MIPI)	IILD	Vin=0~VDDI	-1			uA	Note 3
AVDD booster voltage	AVDD		4.5		6.5	V	Note 3
VCL booster voltage	VCL		-3.5		-5	V	Note 3
VGH booster voltage	VGH		AVDD		2AVDD	V	Note 3
VGL booster voltage	VGL		VCL		VCL -AVDD	V	Note 3
Voltage difference between VGH and VGL	VGHL	VGH-VGL			30	V	Note 3
Gamma reference voltage	VGMP		2.0		6.0	V	Note 3,4
Gamma reference voltage	VGSP		0.0		4.5	V	Note 3
OSC	Fosc		20.24	22	23.76	MHz	
Channel deviation voltage	V <sub>DEV</sub>	Sout ≥ AVDD-1.0V, and 0V < Sout ≤ 1.0V				mV	TBD
Channel deviation voltage	V <sub>DEV</sub>	1.0V < Sout < AVDD-1.0V				mV	TBD

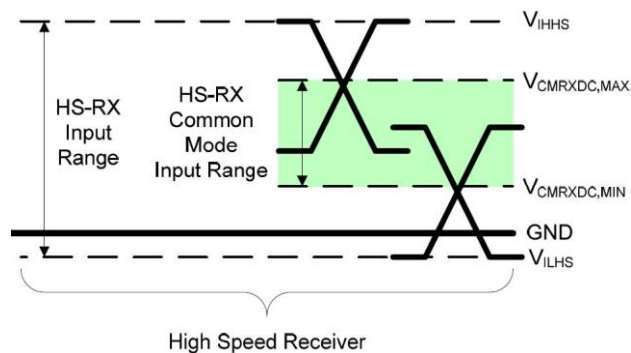
Notes:

1. VDD means VDDA, VDDR, Vddb. And VSS means VSSA, VSSR, VSSB, AVSS, VSSAM. Vddb, VDDA and VDDR should be the same input voltage level and larger than VDDI voltage.
2. Recommend VDDI=1.8V for power saving.
3. Ta(ambient temperature) ranges from -30°C to 85 °C.
4. VGMP ≤ AVDD – 0.2V

## 7.5 MIPI Characteristics

### 7.5.1 High-Speed Receiver Specification

#### DC Specifications



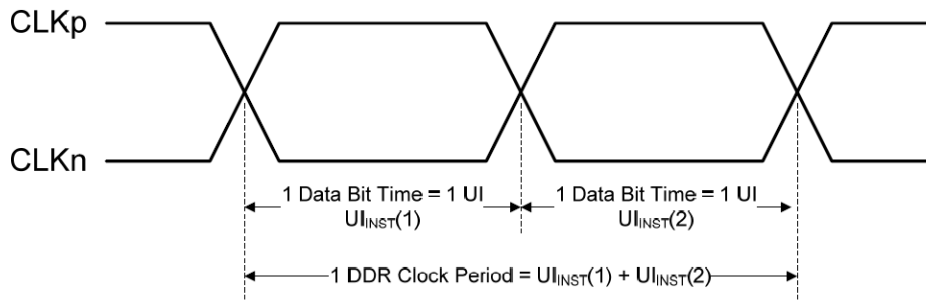
Parameter	Description	Min	Nom	Max	Units	Note
VCMRX(DC)	Common-mode voltage HS receive mode	70		330	mV	1,2
WIDTH	Differential input high threshold			70	mV	
VIDTL	Differential input low threshold	-70			mV	
VIHHS	Single-ended input high voltage			460	mV	1
VILHS	Single-ended input low voltage	-40			mV	1
ZID	Differential input impedance	80	100	125	$\Omega$	

#### Notes:

1. Excluding possible additional RF interference of 100mV peak sine wave beyond 450MHz.
2. This table value includes a ground difference of 50mV between the transmitter and the receiver, the static common-mode level tolerance and variations below 450MHz

## 7.5.2 Forward high speed transmissions

### DDR Clock Definition



Clock Parameter	Symbol	Min	Typ	Max	Units	Notes
UI instantaneous	$UI_{INST}$	2		12.5	ns	1,2

#### Notes:

1. This value corresponds to a minimum 80 Mbps data rate.
2. The minimum UI shall not be violated for any single bit period, i.e., any DDR half cycle within a data burst.

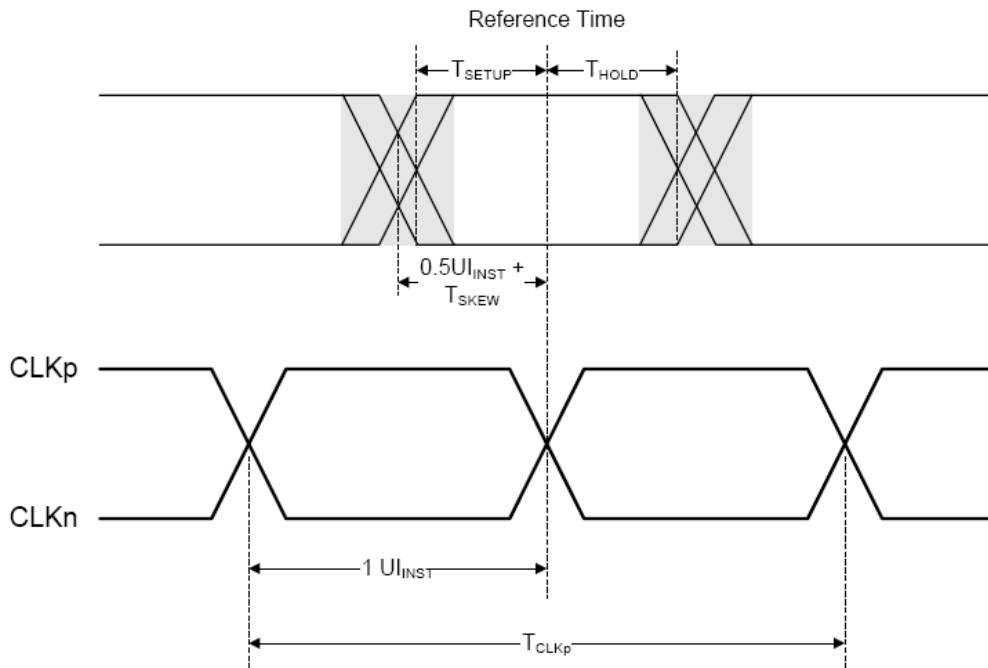
### Data-Clock Timing Specifications

Parameter	Symbol	Min	Typ	Max	Units	Notes
Data to Clock Skew [measured at transmitter]	$T_{SKEW[TX]}$	-0.15		0.15	$UI_{INST}$	1
Data to Clock Setup Time [receiver]	$T_{SETUP[RX]}$	0.15			$UI_{INST}$	2
Clock to Data Hold Time [receiver]	$T_{HOLD[RX]}$	0.15			$UI_{INST}$	2

#### Notes:

1. Total silicon and package delay budget of  $0.3 * UI_{INST}$
2. Total setup and hold window for receiver of  $0.3 * UI_{INST}$

## 7.5.3 Data to Clock Timing Definitions



CONFIDENTIAL

## 7.5.4 Low power transceiver specifications

Parameters	Symbol	Condition	Min	Typ	Max	Unit
Logic high level input voltage	VIHCD	Contention Detection (Lane_D0)	450		1350	mV
Logic low level input voltage	VILCD	Contention Detection (Lane_D0)	0		200	mV
Logic high level input voltage	VIH-LPRX	LP-Rx (Lane_CK, Lane_D0, Lane_D1)	880	-	1350	mV
Logic low level input voltage	VIL-LPRX	LP-Rx (Lane_CK, Lane_D0, Lane_D1)	0		550	mV
Logic low level input voltage	VIL-ULPS	LP-Rx ULPS (Lane_CK, Lane_D0, Lane_D1)	0		300	mV
Logic high level input voltage	VOH-LPTX	Contention Detection (Lane_D0)	1.1	1.2	1.3	V
Logic low level input voltage	VOL-LPTX	Contention Detection (Lane_D0)	-50	0	50	mV
eSPIKE <sup>(1,2,3)</sup>	Fig. 2	Input pulse rejection			300	V.ps

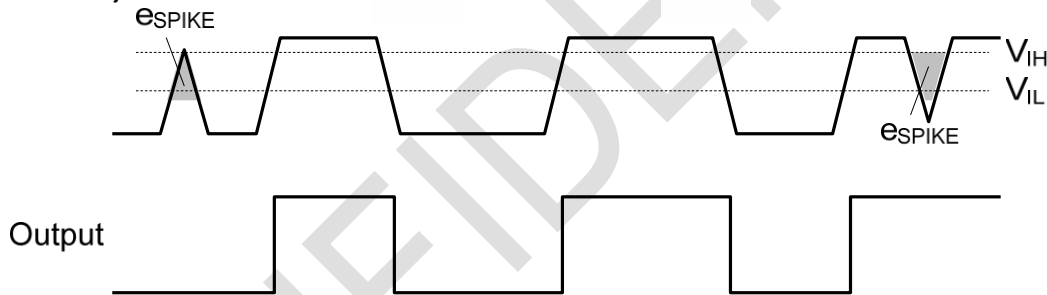
Notes:

Time-voltage integration of a spike above VIL when being in LP-0 state or below VIH when being in LP-1 State.

An impulse less than this will not change the receiver state.

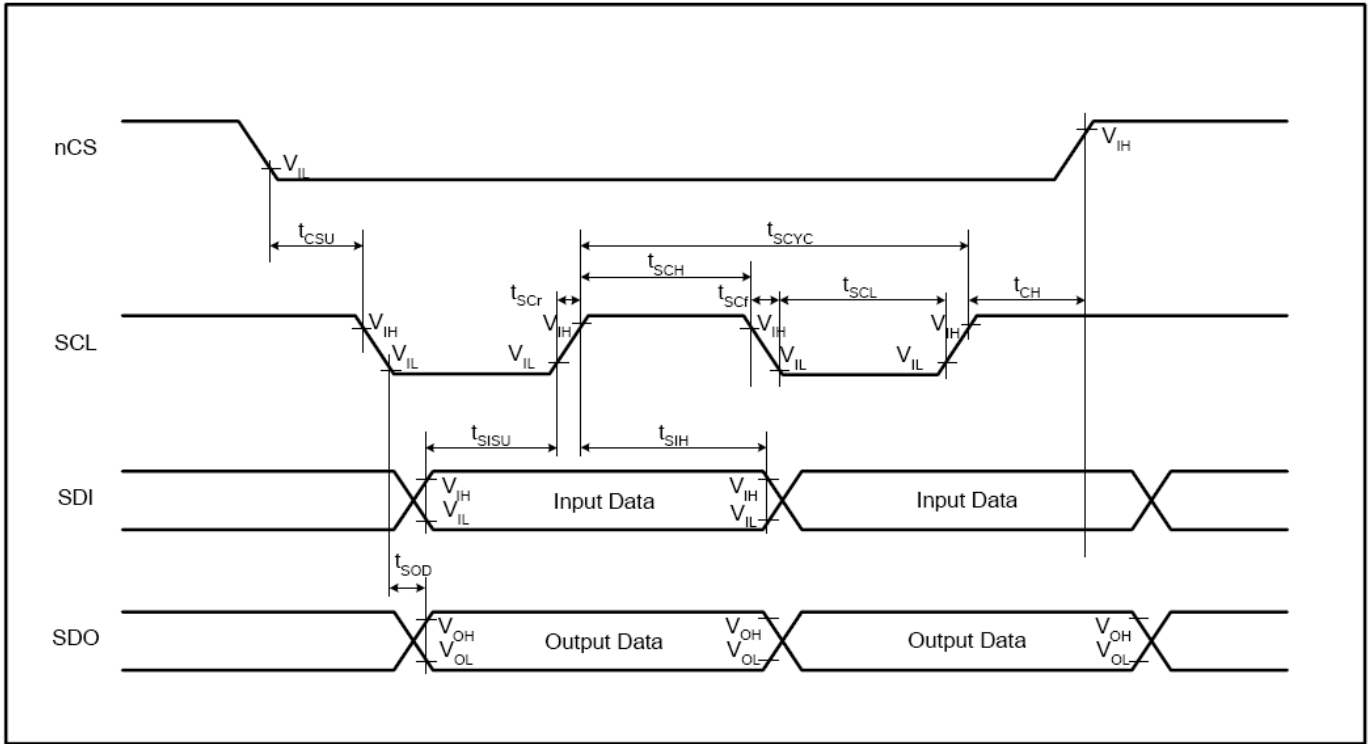
In addition to the required glitch rejection, implementers shall ensure rejection of known RF-interferers.

Input Glitch Rejection of Low Power Receivers as follow.



## 7.6 AC Characteristics

### 7.6.1 Serial Interface Characteristics (3-wire SPI)



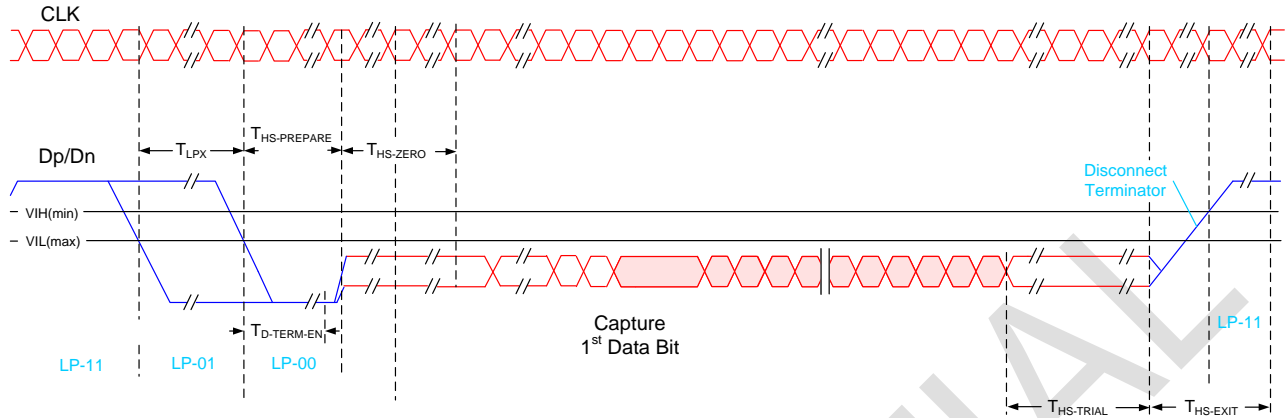
Signal	Symbol	Parameter	MIN	MAX	Unit	Description
SCL	$T_{SCYC}$	Clock cycle (Write)	20		ns	-
	$T_{SCYC}$	Clock cycle (Read)	300		ns	
	$T_{SCH}$	Clock "H" pulse width (Write)	9		ns	
	$T_{SCH}$	Clock "H" pulse width (Read)	140		ns	
	$T_{SCL}$	Clock "L" pulse width (Write)	9		ns	
	$T_{SCL}$	Clock "L" pulse width (Read)	140		ns	
	$T_{Scr}$	Clock rise time		2	ns	
	$T_{Scf}$	Clock fall time		2	ns	
nCS	$T_{CSU}$	Chip select setup time	10		ns	-
	$T_{CH}$	Chip select hold time	10		ns	
SDI (SDA)	$T_{SISU}$	Data input setup time	5		ns	-
	$T_{SIH}$	Data input hold time	5		ns	
SDO (SDA)	$T_{SOD}$	Data output setup time		120	ns	-
	$T_{SOH}$	Data output hold time	5		ns	

Note: Logic high and low levels are specified as 20% and 80% of VDDI for Input signals.

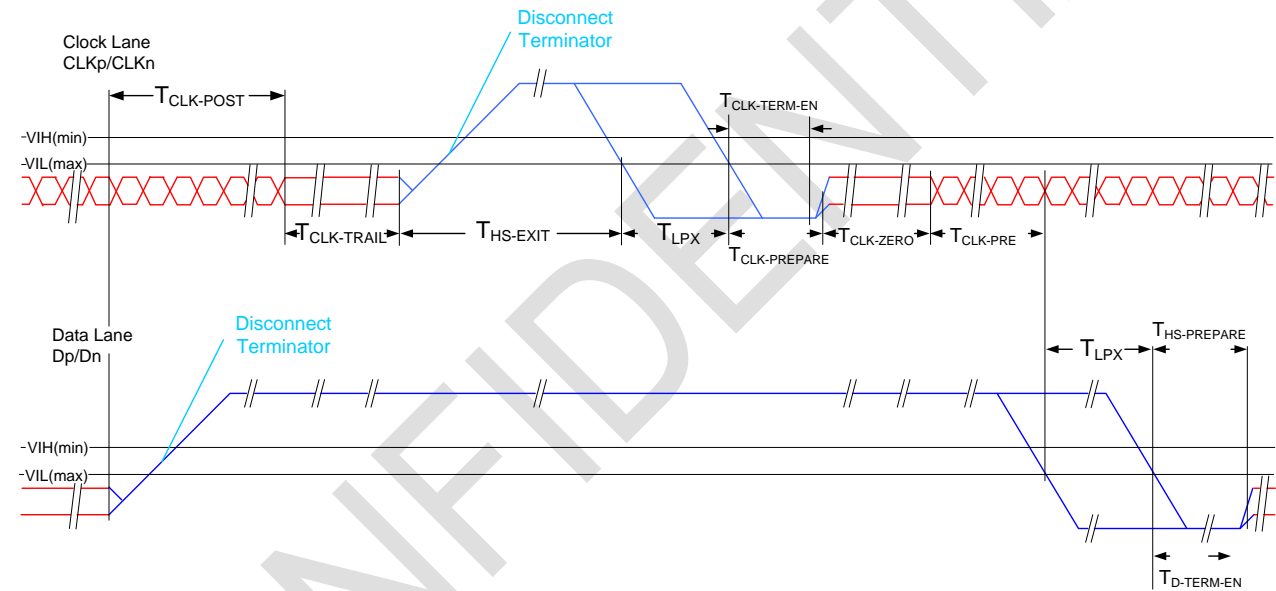
Note:  $T_a = -30$  to  $70$  °C, VDDI=1.65V to 3.3V, VDD=2.7V to 3.6V, GND=0V

## 7.6.2 DSI Timing Characteristics

### HS Data Transmission Burst



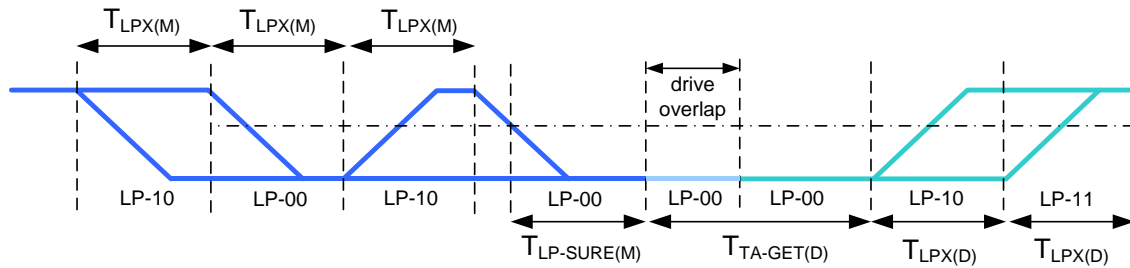
### HS clock transmission



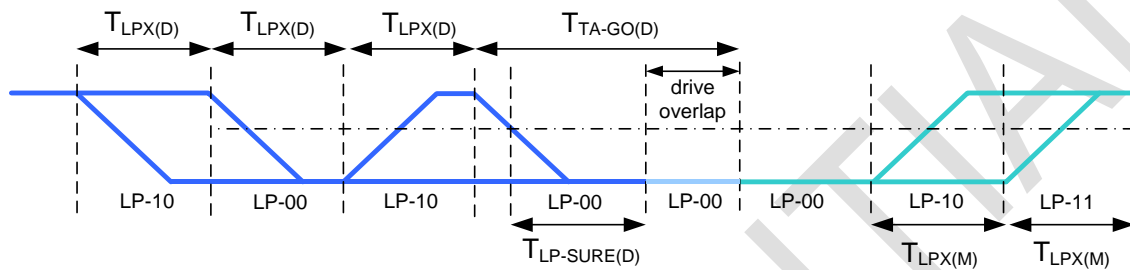
Timing Parameters:

Parameter	Description	Min	Typ	Max	Unit
$T_{CLK-POST}$	Time that the transmitter continues to send HS clock after the last associated Data Lane has transitioned to LP Mode. Interval is defined as the period from the end of $T_{HS-TRAIL}$ to the beginning of $T_{CLK-TRAIL}$ .	$60ns + 52*UI$			ns
$T_{CLK-TRAIL}$	Time that the transmitter drives the HS-0 state after the last payload clock bit of a HS transmission burst.	60			ns
$T_{HS-EXIT}$	Time that the transmitter drives LP-11 following a HS burst.	<b>300</b>			ns
$T_{CLK-TERM-EN}$	Time for the Clock Lane receiver to enable the HS line termination, starting from the time point when Dn crosses $V_{IL,MAX}$ .	Time for Dn to reach $V_{TERM-EN}$		38	ns
$T_{CLK-PREPARE}$	Time that the transmitter drives the Clock Lane LP-00 Line state immediately before the HS-0 Line state starting the HS transmission.	38		95	ns
$T_{CLK-PRE}$	Time that the HS clock shall be driven by the transmitter prior to any associated Data Lane beginning the transition from LP to HS mode.	8			UI
$T_{CLK-PREPARE} + T_{CLK-ZERO}$	$T_{CLK-PREPARE}$ + time that the transmitter drives the HS-0 state prior to starting the Clock.	300			ns
$T_{D-TERM-EN}$	Time for the Data Lane receiver to enable the HS line termination, starting from the time point when Dn crosses $V_{IL,MAX}$ .	Time for Dn to reach $V_{TERM-EN}$		$35 ns + 4*UI$	
$T_{HS-PREPARE}$	Time that the transmitter drives the Data Lane LP-00 Line state immediately before the HS-0 Line state starting the HS transmission	$40ns + 4*UI$		$85 ns + 6*UI$	ns
$T_{HS-PREPARE} + T_{HS-ZERO}$	<b><math>T_{HS-PREPARE}</math> + time that the transmitter drives the HS-0 state prior to transmitting the Sync sequence.</b>	<b><math>145ns + 10*UI</math></b>			<b>ns</b>
$T_{HS-TRAIL}$	Time that the transmitter drives the flipped differential state after last payload data bit of a HS transmission burst	$60ns + 4*UI$			ns

## Turnaround Procedure



## Bus turnaround (BAT) from MPU to display module timing



## Bus turnaround (BAT) from display module to MPU timing

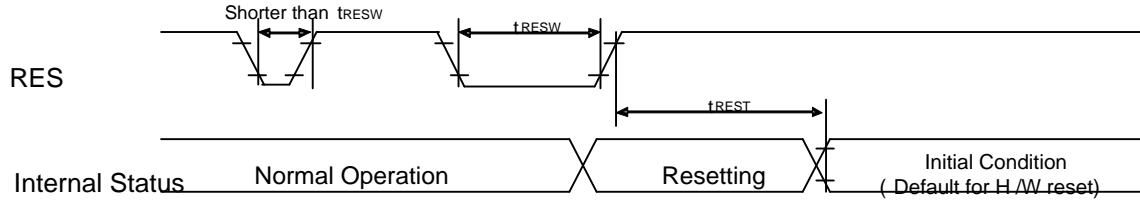
### Low Power Mode :

Parameter	Description	Min	Typ	Max	Unit	Notes
$T_{LPX(M)}$	Transmitted length of any Low-Power state period of MCU to display module	50		<b>150</b>	ns	1,2
$T_{TA-SURE(M)}$	Time that the display module waits after the LP-10 state before transmitting the Bridge state (LP-00) during a Link Turnaround.	$T_{LPX(M)}$		$2 * T_{LPX(M)}$	ns	2
$T_{LPX(D)}$	Transmitted length of any Low-Power state period of display module to MCU	50		<b>150</b>	ns	1,2
$T_{TA-GET(D)}$	Time that the display module drives the Bridge state (LP-00) after accepting control during a Link Turnaround.		$5 * T_{LPX(D)}$		ns	2
$T_{TA-GO(D)}$	Time that the display module drives the Bridge state (LP-00) before releasing control during a Link Turnaround.		$4 * T_{LPX(D)}$		ns	2
$T_{TA-SURE(D)}$	Time that the MPU waits after the LP-10 state before transmitting the Bridge state (LP-00) during a Link Turnaround.	$T_{LPX(D)}$		$2 * T_{LPX(D)}$	ns	2

### NOTE:

- $T_{LPX}$  is an internal state machine timing reference. Externally measured values may differ slightly from the specified values due to asymmetrical rise and fall times.
- Transmitter-specific parameter

## 7.6.3 Reset Timing



Reset input timing:

VDDI=1.65 to 3.3V, VDD=2.7 to 3.6V, AGND=DGND=0V, Ta=-40 to 85°C

Symbol	Parameter	Related Pins	MIN	TYP	MAX	Note	Unit
$t_{RESW}$	*1) Reset low pulse width	RESX	10	-	-	-	$\mu$ S
$t_{REST}$	*2) Reset complete time	-	-	-	5	When reset applied during Sleep in mode	ms
		-	-	-	120	When reset applied during Sleep out mode	ms

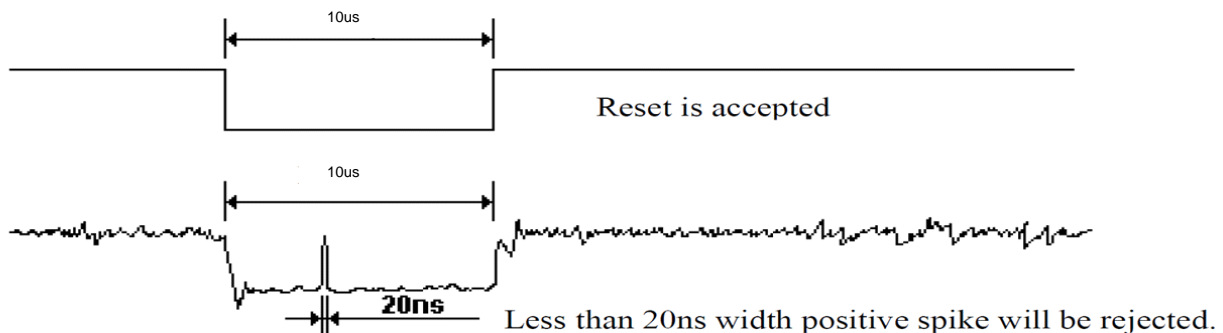
Note 1) Spike due to an electrostatic discharge on RESX line does not cause irregular system reset according to the table below.

RESX Pulse	Action
Shorter than 5 $\mu$ s	Reset Rejected
Longer than 10 $\mu$ s	Reset
Between 5 $\mu$ s and 10 $\mu$ s	Reset starts (It depends on voltage and temperature condition.)

Note 2. During the resetting period, the display will be blanked (The display is entering blanking sequence, which maximum time is 120 ms, when Reset Starts in Sleep Out –mode). The display remains the blank state in Sleep In –mode) and then return to Default condition for H/W reset.

Note 3. During Reset Complete Time, data in OTP will be latched to internal register during this period. This loading is done every time when there is H/W reset complete time ( $t_{REST}$ ) within 5ms after a rising edge of RESX.

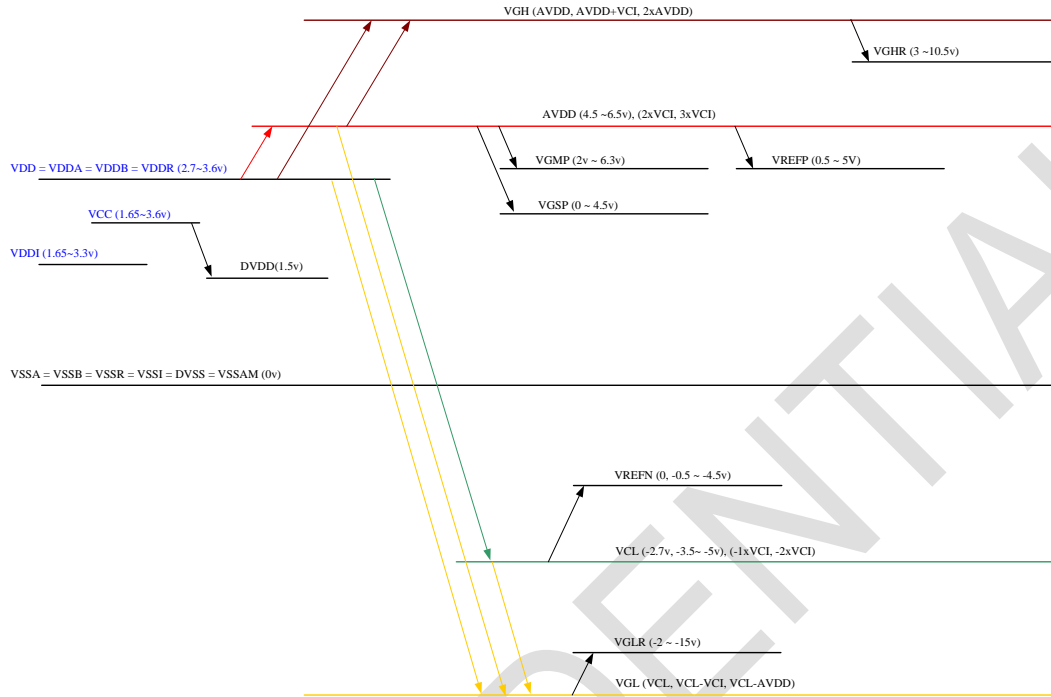
Note 4. Spike Rejection also applies during a valid reset pulse as shown below:



Note 5. It is necessary to wait 5msec after releasing RESX before sending commands. Also Sleep Out command cannot be sent for 120msec.

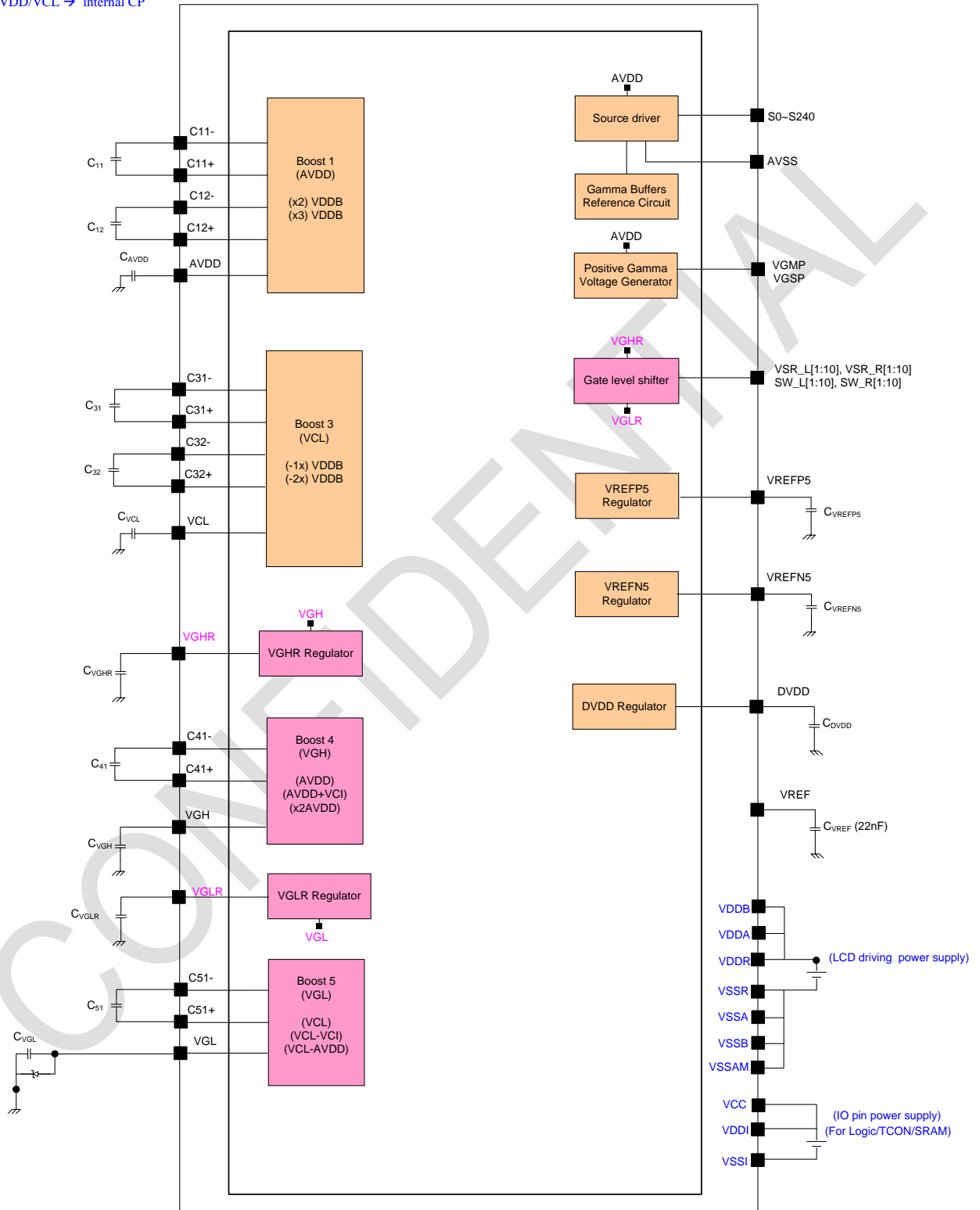
## 8. Power Generation

### 8.1 2 Supply Power ( VDDI / VDD )



## 8.2 DC/DC Converter Circuit

2PWR(VDDI, VDD)  
VDD=VDDA=VDDR=VDDB  
AVDD/VCL → internal CP



## 8.3 External Components

No.	Signal name	Values	Max ability
1	VDDA, VDDR, VDDB	Cap , 2.2uF	6.3V
2	VDDI, VCC	Cap , 2.2uF	6.3V
3	VREF	Cap , 22nF	6.3V
4	DVDD	Cap , 1.0uF	6.3V
5	VREFN5/VREFP5	Cap , 1.0uF	6.3V
6	VGHR	Cap , 1.0uF	16V
7	VGLR	Cap , 1.0uF	16V
8	BVP3D	Cap , 2.2uF	10V
9	BVN3D	Cap , 2.2uF	10V
10	C11P/C11N	Cap , 1.0uF	6.3V
11	C12P/C12N	Cap , 1.0uF	6.3V
12	AVDD	Cap , 2.2uF	10V
13	C31P/C31N	Cap , 1.0uF	6.3V
14	C32P/C32N	Cap , 1.0uF	6.3V
15	VCL	Cap , 2.2uF	6.3V
16	C41P/C41N	Cap , 1.0uF	16V
17	VGH	Cap , 2.2uF	25V
18	C51P/C51N	Cap , 1.0uF	16V
19	VGL	Cap , 2.2uF	25V
20	VGL (VGL-GND)	Schottky Diode	



## 8.5 Power Level Modes

*Normal display mode on = NORON*

*Partial mode on = PTLON*

*Idle mode off = IDMOFF*

*Idle mode on = IDMON*

*Sleep out = SLPOUT*

*Sleep in = SLPIN*

*Deep standby mode = DSTBON*

### Definition example:

#### 1. Normal Mode On (full display), Idle Mode Off, Sleep Out.

In this mode, the display is able to show maximum 16.7M colors.

#### 2. Partial Mode On, Idle Mode Off, Sleep Out

In this mode, part of the display is used with maximum 16.7M colors.

#### 3. Normal Mode On (full display), Idle Mode On, Sleep Out.

In this mode, the full display is used but with 8 colors.

#### 4. Partial Mode On, Idle Mode On, Sleep Out

In this mode, part of the display is used but with 8 colors.

#### 5. Sleep In Mode.

In this mode, the DC/DC converter, internal oscillator and panel driver circuit are stopped. Only the MPU interface and registers are working with VDDI power supply. Contents of the frame memory can be safe or random.

#### 6. Deep Standby Mode.

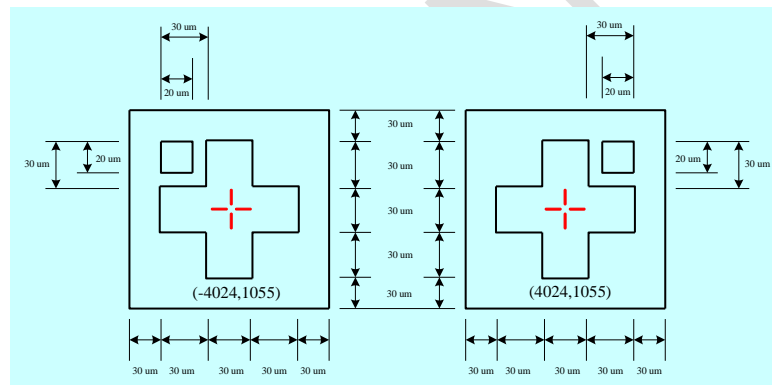
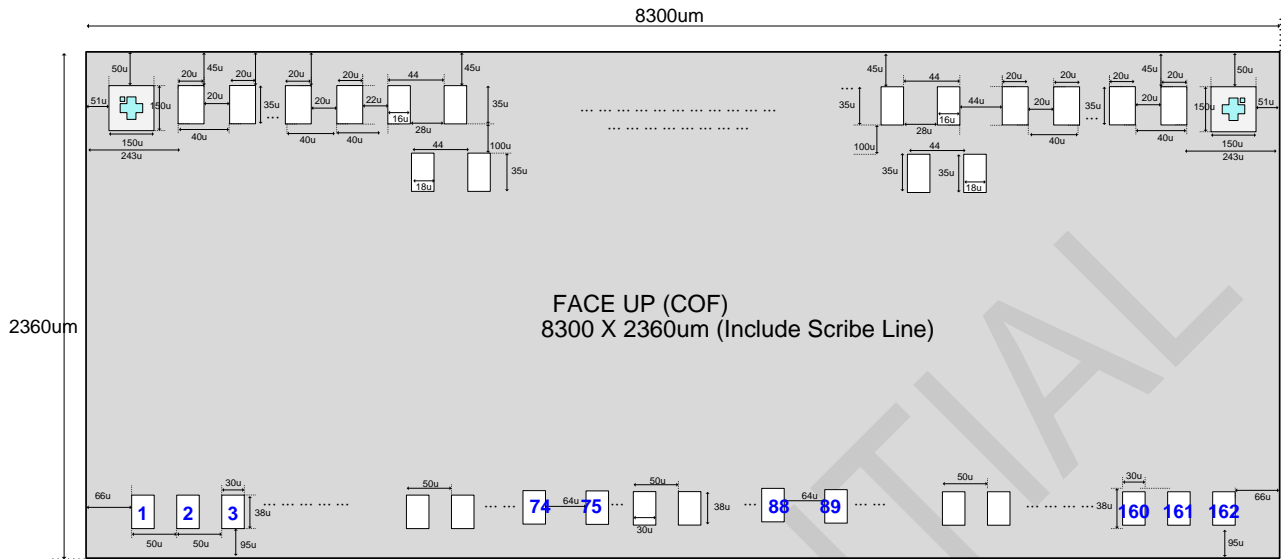
In this mode, the DC/DC converter, internal oscillator and panel driver circuit are stopped. The MPU interface and registers are not working. Contents of the frame memory are random.

#### 7. Power Off Mode

In this mode, VDDI and VDDA/VDDR/VDDB are removed.

NOTE: Transition between mode 1~5 is controllable by MPU commands. Mode 6 is entered for power saving with both power supplies for I/O and analog circuits and can be exited by hardware reset only (RESX=L). Mode 7 is entered only when both power supplies for I/O and analog circuits are removed.

## 9. Pad Diagram and Coordination



- Chip size: 8300 um x 2360um (Include sealing and scribe line)
- Chip thickness: 200/300 um
- PAD coordinates: PAD center
- PAD coordinates origin: Chip center
- Au bump size
  1. 17um x 35um: Source:S0~S240
  2. 20um x 35um: gate control signal
  3. 30um x 38um: Input Pads
- Au bump pitch: See PAD coordinates table
- Au bump height: 12±2 um (typ.)
- No. in the figure corresponds to No. in the PAD coordinates table
- Alignment mark

Alignment mark shape	X	Y
left	4024	1055
right	-4024	1055

■

■ Pad Coordinate (Unit: um)

NO.	PAD NAME						
1	ANALOG_TEST1	51	D[4]	101	C11N	151	VGL
2	VGLR	52	D[5]	102	C11N	152	VGL
3	VGLR	53	VSSI	103	C11N	153	AVSS
4	VGHR	54	D[6]	104	C12P	154	AVSS
5	VGHR	55	D[7]	105	C12P	155	AVSS
6	VREFP5	56	TEST1	106	C12P	156	MTP_PWR
7	VREFP5	57	EXTCLK	107	C12N	157	MTP_PWR
8	VREFP5	58	TEST2	108	C12N	158	MTP_PWR
9	VREFN5	59	VSSI	109	C12N	159	MTP_PWR
10	VREFN5	60	TEST3	110	VDDDB	160	MTP_PWR
11	VREFN5	61	IM1	111	VDDDB	161	MTP_PWR
12	BVP3D	62	IM0	112	VDDDB	162	DUMMY
13	BVP3D	63	DSWAP	113	VDDR	163	VGLR
14	BVN3D	64	TESTEN	114	VDDR	164	VGHR
15	BVN3D	65	PSWAP	115	VDDR	165	VREFP5
16	VCL	66	BSTM	116	AVDD	166	VREFN5
17	VCL	67	VDDI	117	AVDD	167	VSR_L[10]
18	AVDD	68	VDDI	118	AVDD	168	VSR_L[9]
19	AVDD	69	VCC	119	C31P	169	VSR_L[8]
20	VREF	70	VCC	120	C31P	170	VSR_L[7]
21	VGSP	71	DVDD	121	C31P	171	VSR_L[6]
22	VGMP	72	DVDD	122	C31N	172	VSR_L[5]
23	DUMMY	73	DVSS	123	C31N	173	VSR_L[4]
24	ANALOG_TEST2	74	DVSS	124	C31N	174	VSR_L[3]
25	VDDR	75	HSSI_D1_P	125	VCL	175	VSR_L[2]
26	VDDR	76	HSSI_D1_P	126	VCL	176	VSR_L[1]
27	VDDA	77	HSSI_D1_N	127	VCL	177	SW_L[1]
28	VDDA	78	HSSI_D1_N	128	C32P	178	SW_L[2]
29	AVSS	79	VSSAM	129	C32P	179	SW_L[3]
30	AVSS	80	HSSI_CLK_P	130	C32P	180	SW_L[4]
31	AVSS	81	HSSI_CLK_P	131	C32N	181	SW_L[5]
32	VSSR	82	HSSI_CLK_N	132	C32N	182	SW_L[6]
33	VSSR	83	HSSI_CLK_N	133	C32N	183	SW_L[7]
34	VSSR	84	VSSAM	134	C41P	184	SW_L[8]
35	TE1	85	HSSI_D0_P	135	C41P	185	SW_L[9]
36	SWIRE	86	HSSI_D0_P	136	C41N	186	SW_L[10]
37	OLED_EN	87	HSSI_D0_N	137	C41N	187	SDMY
38	TE	88	HSSI_D0_N	138	C51N	188	S240
39	RESX	89	VSSR	139	C51N	189	S239
40	SDO	90	VSSR	140	C51P	190	S238
41	VSSI	91	VSSA	141	C51P	191	S237
42	SDI_RDX	92	VSSA	142	VGHR	192	S236
43	DCX	93	AVSS	143	VGHR	193	S235
44	WRX_SCL	94	AVSS	144	VGHR	194	S234
45	CSX	95	VSSB	145	VGHR	195	S233
46	D[0]	96	VSSB	146	VGHR	196	S232
47	VSSI	97	VSSB	147	VGHR	197	S231
48	D[1]	98	C11P	148	VGHR	198	S230
49	D[2]	99	C11P	149	VGLR	199	S229
50	D[3]	100	C11P	150	VGLR	200	S228

201	S227
202	S226
203	S225
204	S224
205	S223
206	S222
207	S221
208	S220
209	S219
210	S218
211	S217
212	S216
213	S215
214	S214
215	S213
216	S212
217	S211
218	S210
219	S209
220	S208
221	S207
222	S206
223	S205
224	S204
225	S203
226	S202
227	S201
228	S200
229	S199
230	S198
231	S197
232	S196
233	S195
234	S194
235	S193
236	S192
237	S191
238	S190
239	S189
240	S188
241	S187
242	S186
243	S185
244	S184
245	S183
246	S182
247	S181
248	S180
249	S179
250	S178

251	S177
252	S176
253	S175
254	S174
255	S173
256	S172
257	S171
258	S170
259	S169
260	S168
261	S167
262	S166
263	S165
264	S164
265	S163
266	S162
267	S161
268	S160
269	S159
270	S158
271	S157
272	S156
273	S155
274	S154
275	S153
276	S152
277	S151
278	S150
279	S149
280	S148
281	S147
282	S146
283	S145
284	S144
285	S143
286	S142
287	S141
288	S140
289	S139
290	S138
291	S137
292	S136
293	S135
294	S134
295	S133
296	S132
297	S131
298	S130
299	S129
300	S128

301	S127
302	S126
303	S125
304	S124
305	S123
306	S122
307	S121
308	SDMY
309	SDMY
310	VGHR
311	VGLR
312	SDMY
313	SDMY
314	SDMY
315	SDMY
316	SDMY
317	VREFN5
318	SDMY
319	SDMY
320	SDMY
321	SDMY
322	SDMY
323	SDMY
324	VREFP5
325	SDMY
326	SDMY
327	SDMY
328	SDMY
329	SDMY
330	VGLR
331	VGHR
332	SDMY
333	SDMY
334	S120
335	S119
336	S118
337	S117
338	S116
339	S115
340	S114
341	S113
342	S112
343	S111
344	S110
345	S109
346	S108
347	S107
348	S106
349	S105
350	S104

351	S103
352	S102
353	S101
354	S100
355	S99
356	S98
357	S97
358	S96
359	S95
360	S94
361	S93
362	S92
363	S91
364	S90
365	S89
366	S88
367	S87
368	S86
369	S85
370	S84
371	S83
372	S82
373	S81
374	S80
375	S79
376	S78
377	S77
378	S76
379	S75
380	S74
381	S73
382	S72
383	S71
384	S70
385	S69
386	S68
387	S67
388	S66
389	S65
390	S64
391	S63
392	S62
393	S61
394	S60
395	S59
396	S58
397	S57
398	S56
399	S55
400	S54

401	S53
402	S52
403	S51
404	S50
405	S49
406	S48
407	S47
408	S46
409	S45
410	S44
411	S43
412	S42
413	S41
414	S40
415	S39
416	S38
417	S37
418	S36
419	S35
420	S34
421	S33
422	S32
423	S31
424	S30
425	S29
426	S28
427	S27
428	S26
429	S25
430	S24
431	S23
432	S22
433	S21
434	S20
435	S19
436	S18
437	S17
438	S16
439	S15
440	S14
441	S13
442	S12
443	S11
444	S10
445	S9
446	S8
447	S7
448	S6
449	S5
450	S4

451	S3
452	S2
453	S1
454	SDMY
455	SW_R[10]
456	SW_R[9]
457	SW_R[8]
458	SW_R[7]
459	SW_R[6]
460	SW_R[5]
461	SW_R[4]
462	SW_R[3]
463	SW_R[2]
464	SW_R[1]
465	VSR_R[1]
466	VSR_R[2]
467	VSR_R[3]
468	VSR_R[4]
469	VSR_R[5]
470	VSR_R[6]
471	VSR_R[7]
472	VSR_R[8]
473	VSR_R[9]
474	VSR_R[10]
475	VREFN5
476	VREFP5
477	VGHR
478	VGLR