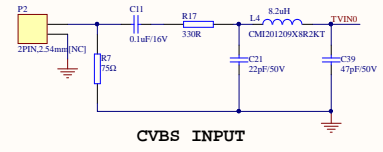
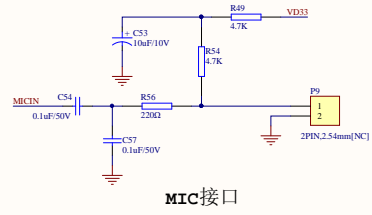


CPU接口定义

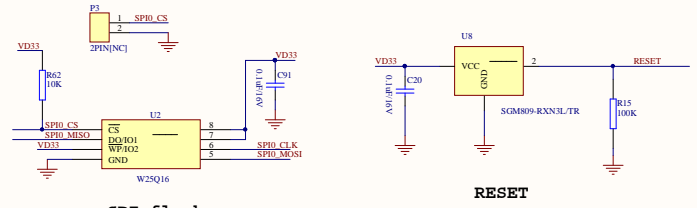
液晶屏颜色线通过软件调整线序



CVBS INPUT

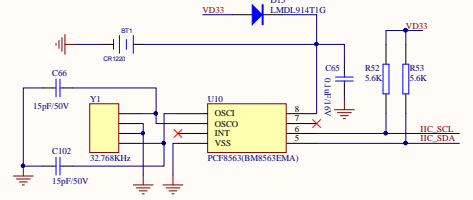


MIC接口

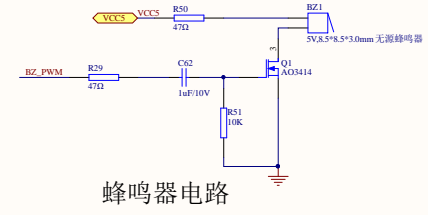


SPI flash

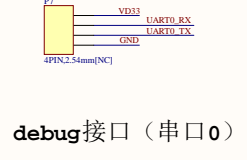
RESET



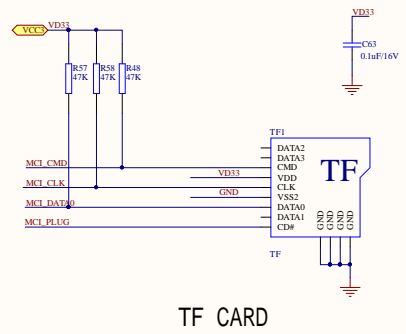
时钟电路



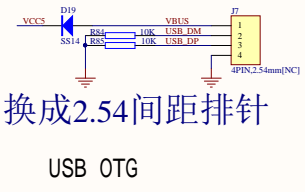
蜂鸣器电路



debug接口 (串口0)



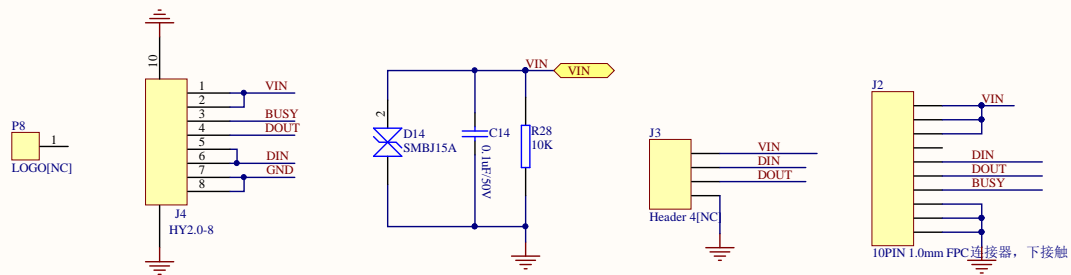
TF CARD



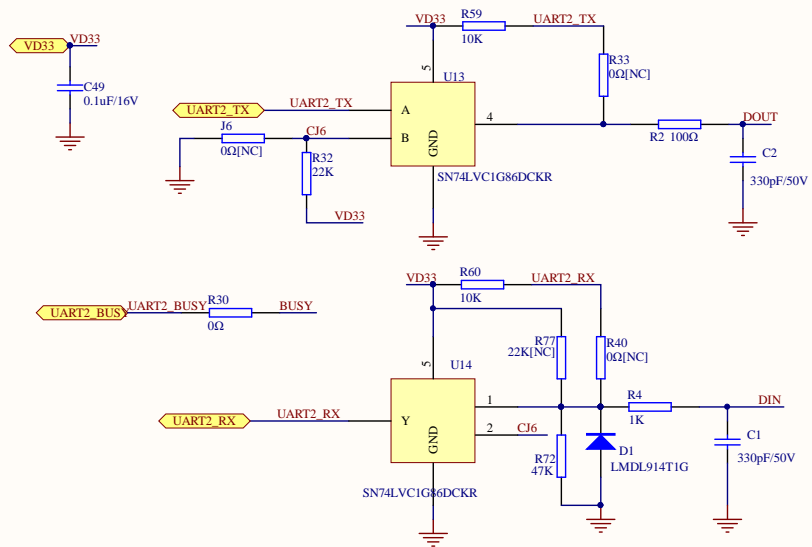
换成2.54间距排针

USB OTG

Title		
Size	Number	Revision
A2		
Date:	2022-10-20	Sheet of
File:	C:\Users\1005\SchDoc	Drawn By:

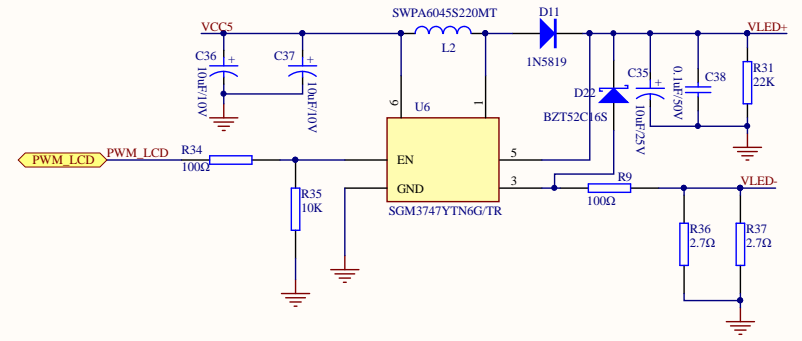


电源通信端口（串口2）

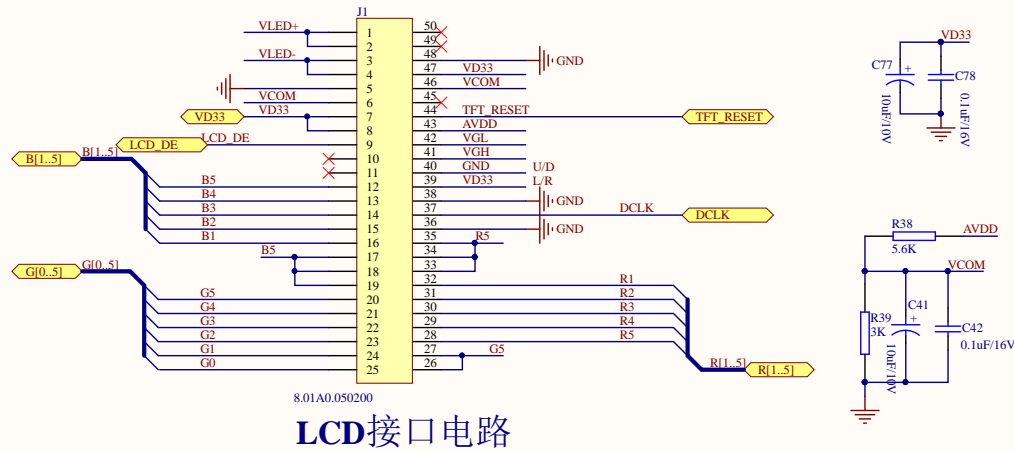


RS232/TTL转换电路（串口2）

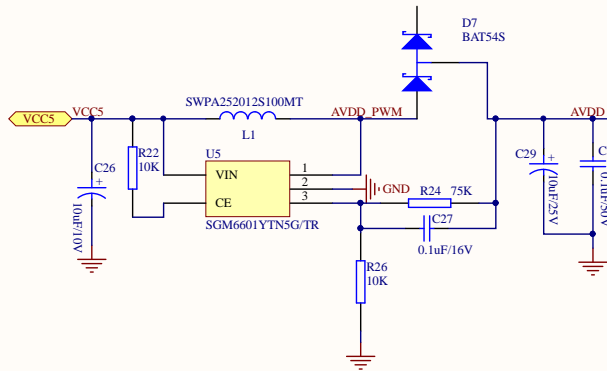
Title		
Size A3	Number	Revision
Date: 2022-10-20	Sheet of	Drawn By:
File: C:\Users\...\COM.SchDoc		



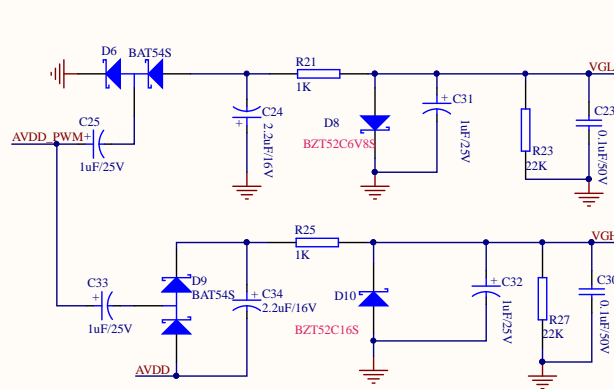
背光电路



LCD接口电路

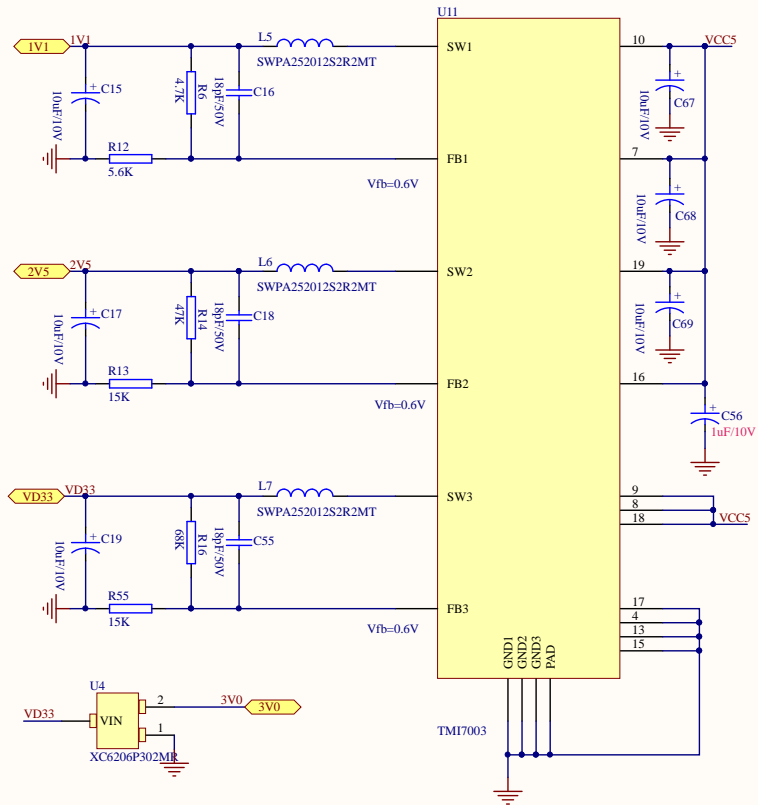


5V ->AVDD

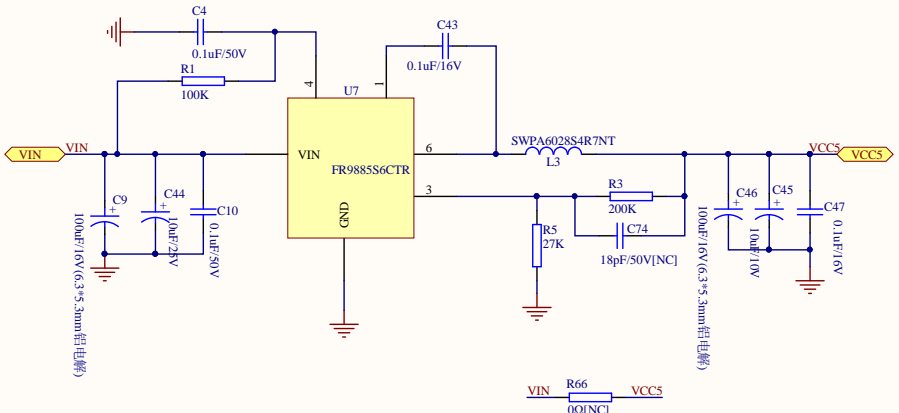


5V ->VGH&VGL

Title		
Size	Number	Revision
A3		
Date:	2022-10-20	Sheet of
File:	C:\Users\...LCD.SchDoc	Drawn By:

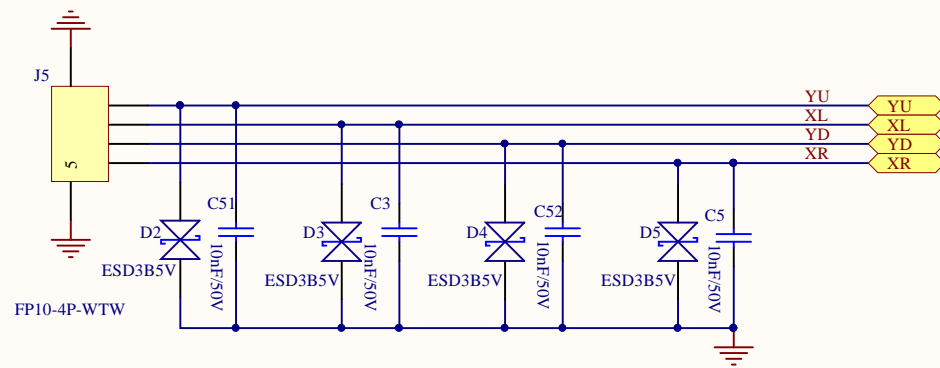


电源管理电路



12V转5V电路

Title		
Size A3	Number	Revision
Date: 2022-10-20	Sheet of	
File: C:\Users\...POWER.SchDoc	Drawn By:	



电阻触摸屏接口

Title		
Size	Number	Revision
A4		
Date:	2022-10-20	Sheet of
File:	C:\Users\...\TP.SchDoc	Drawn By:

