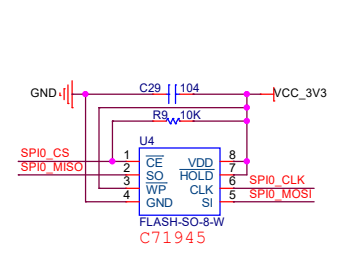
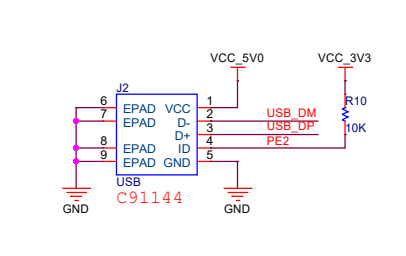


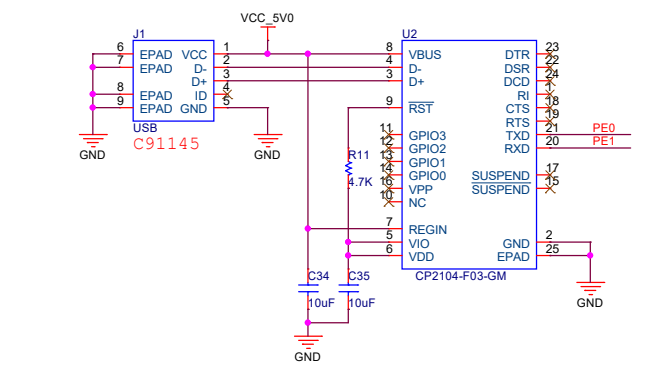
FLASH



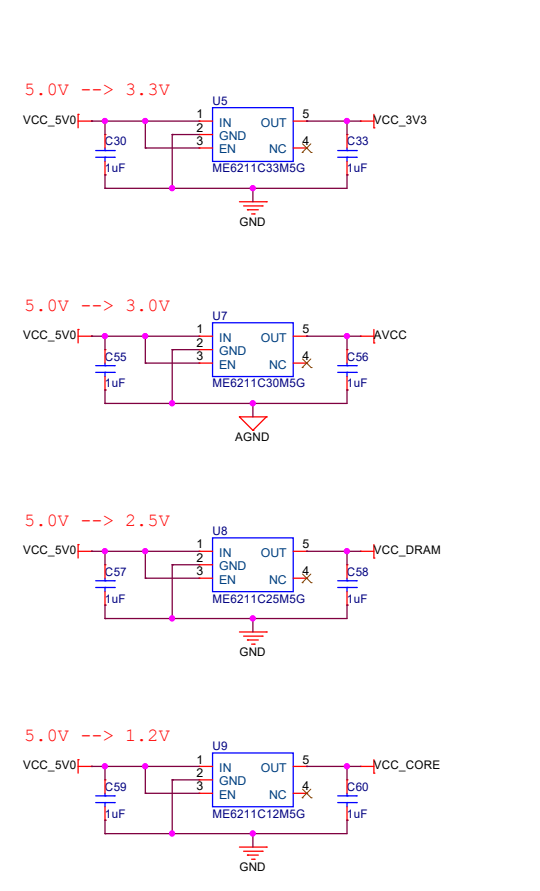
OTG



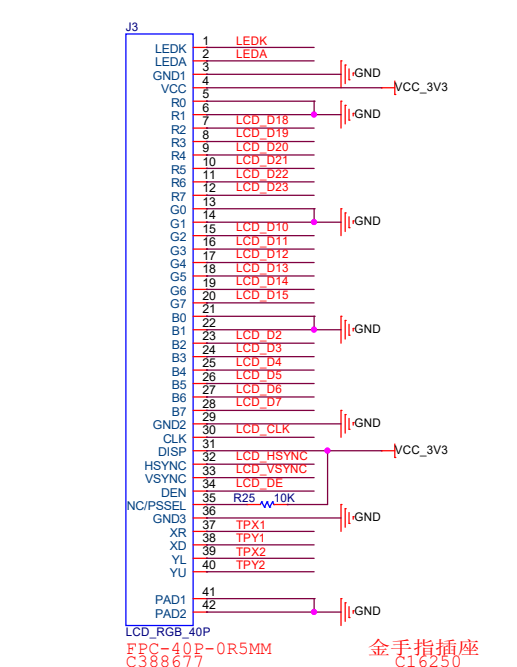
DEBUG



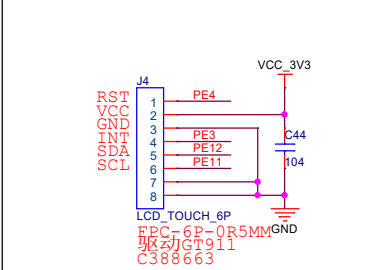
POWER



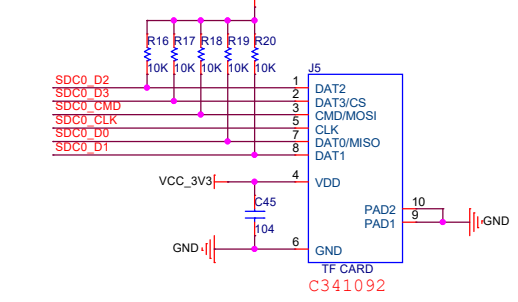
LCD RGB 40P



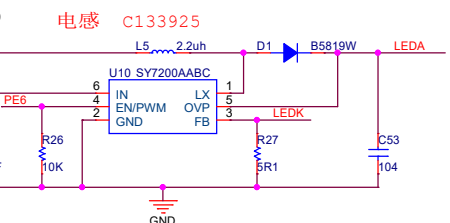
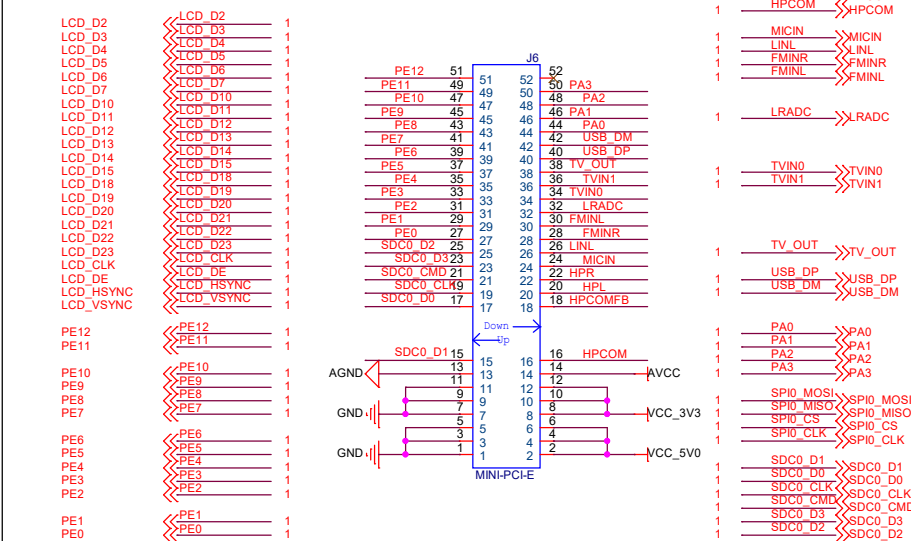
LCD TOUCH 6P



TF CARD



MINI PCI-E



Title		<Title>
Size	A3	Document Number <Doc>
Date:	Thursday, February 13, 2020	Sheet 2 of 2