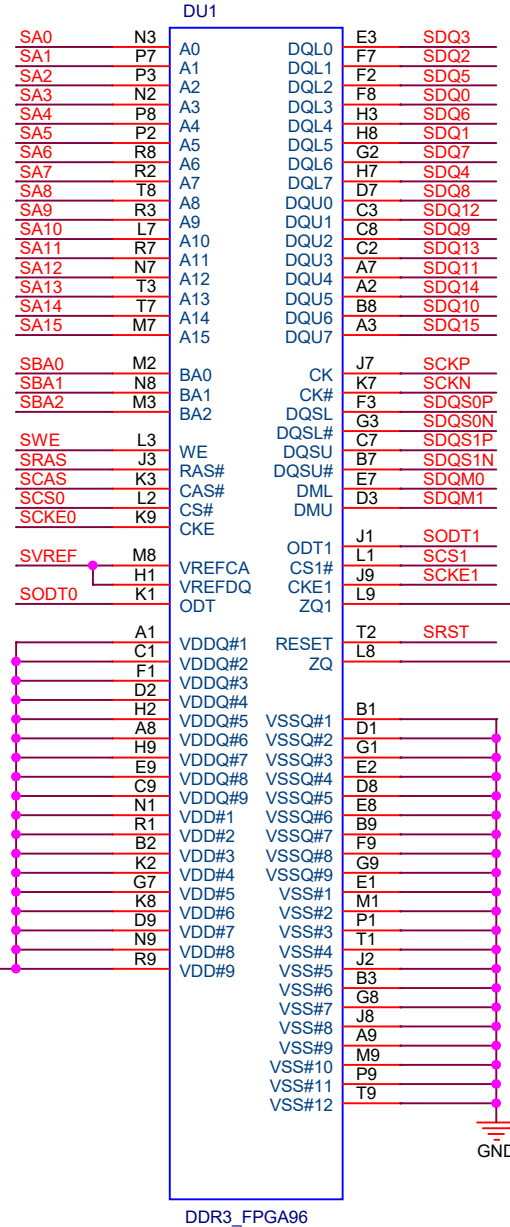


U1A

DRAM

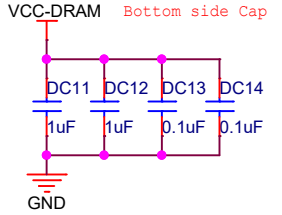
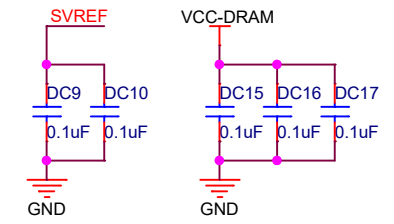
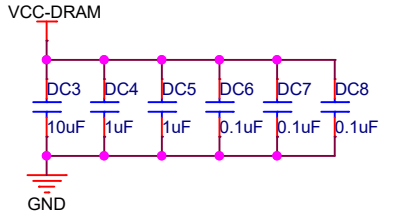
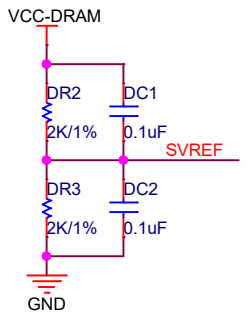
H3-BGA3XX_12



DU1

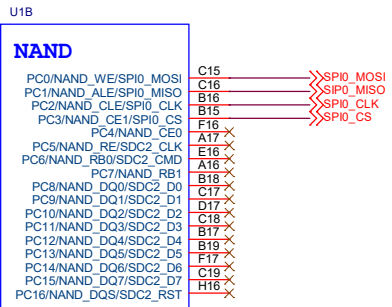
DDR3_FPGA96

SCKP DR1 100R SCKN

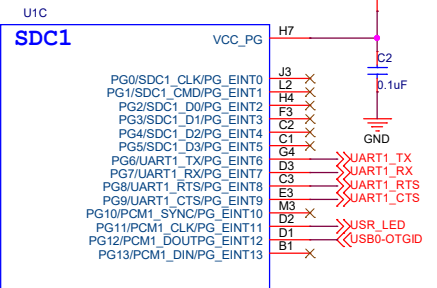


Bottom side Cap

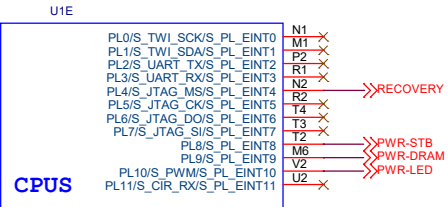
Title			<Title>
Size	Document Number		Rev
A4	<Doc>		<RevC>
Date:	Wednesday, January 13, 2021	Sheet	1 of 4



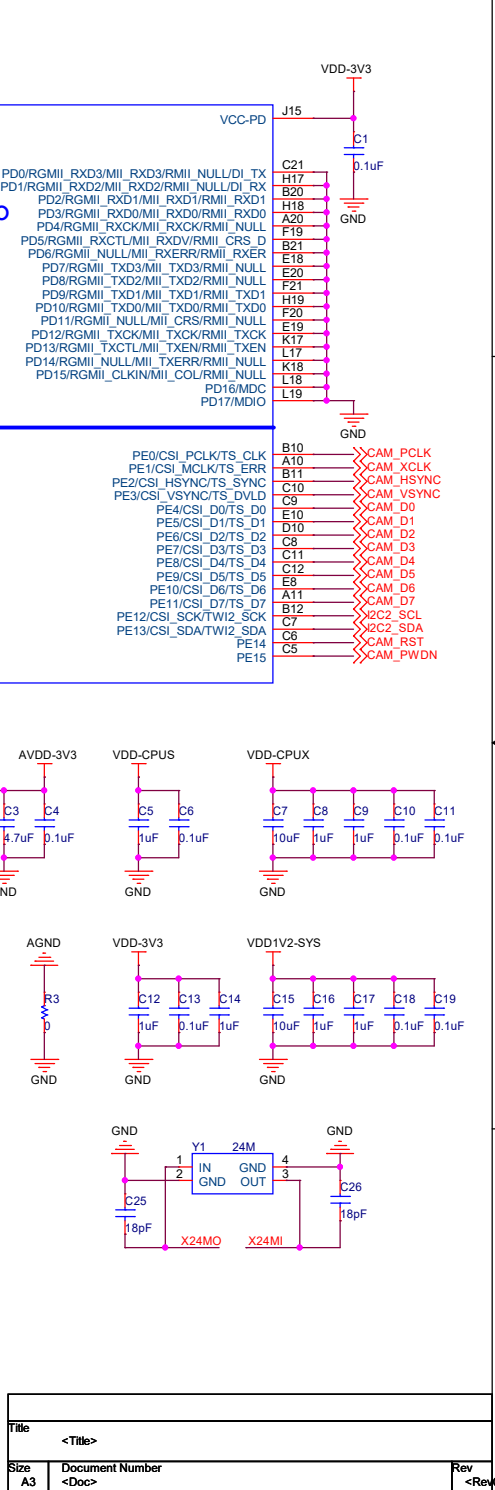
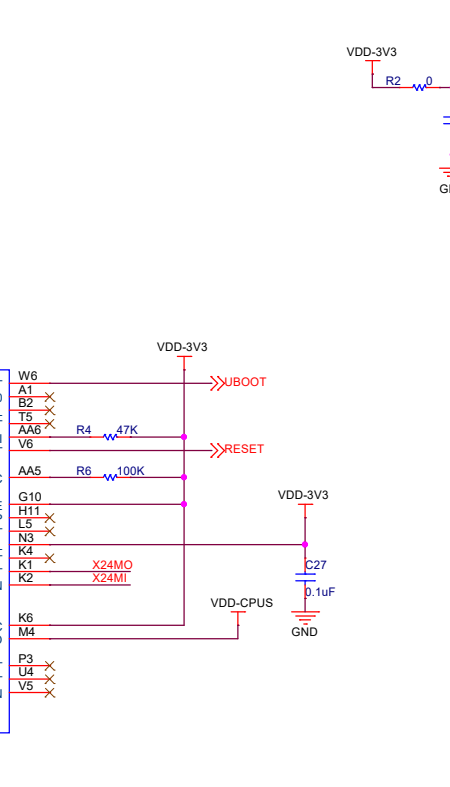
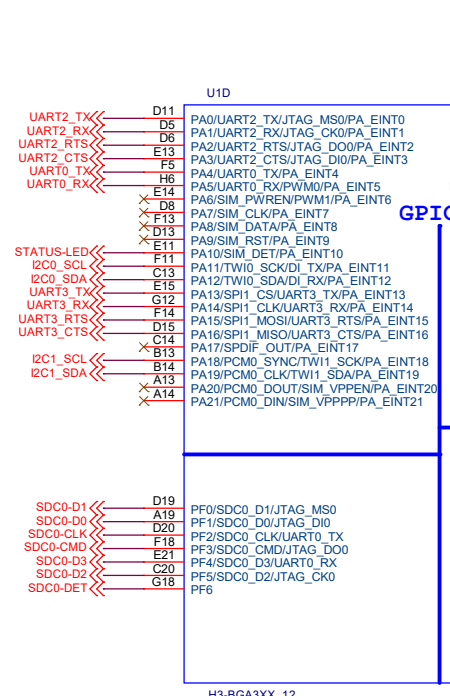
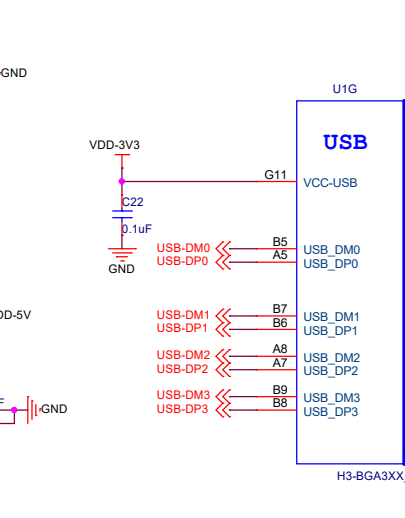
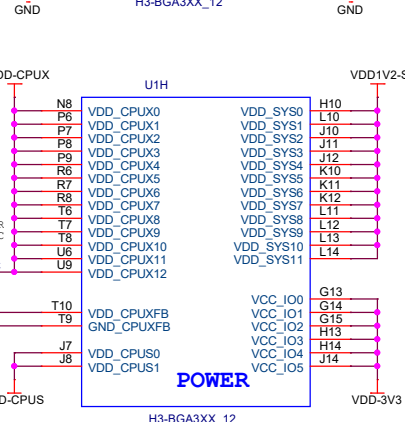
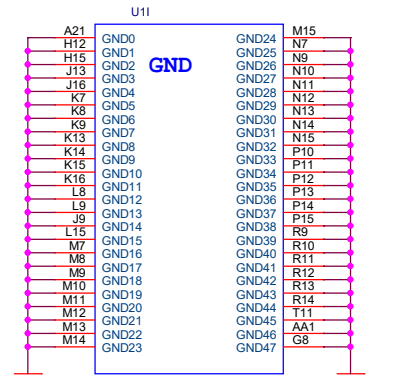
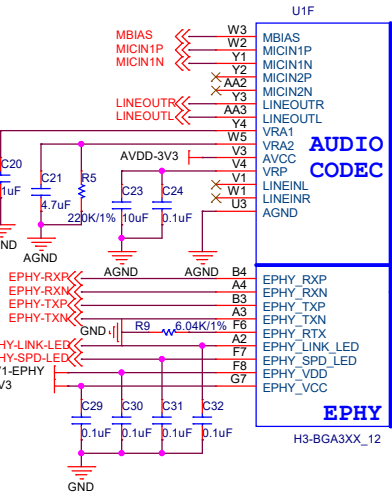
H3-BGA3XX_12



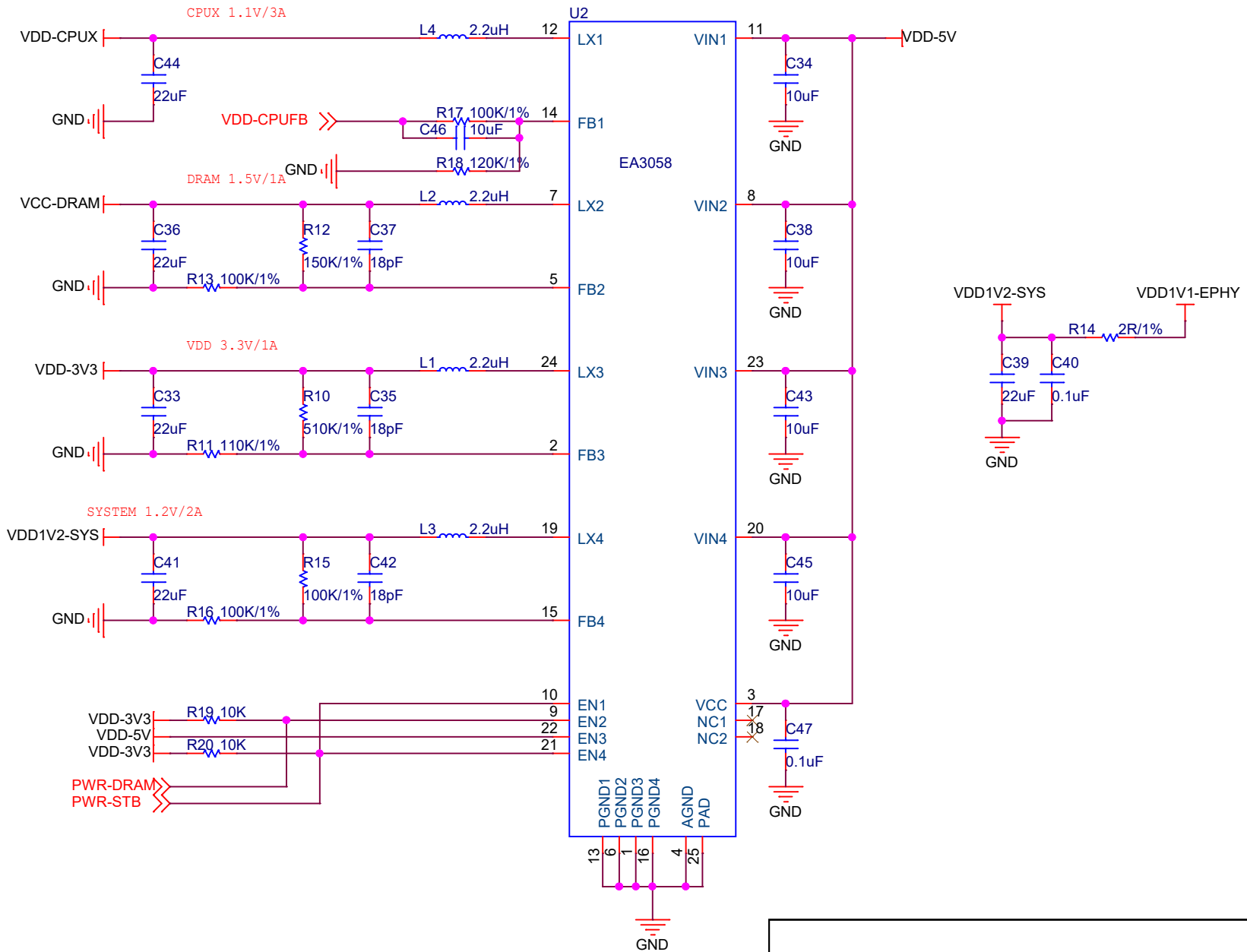
H3-BGA3XX_12



H3-BGA3XX_12

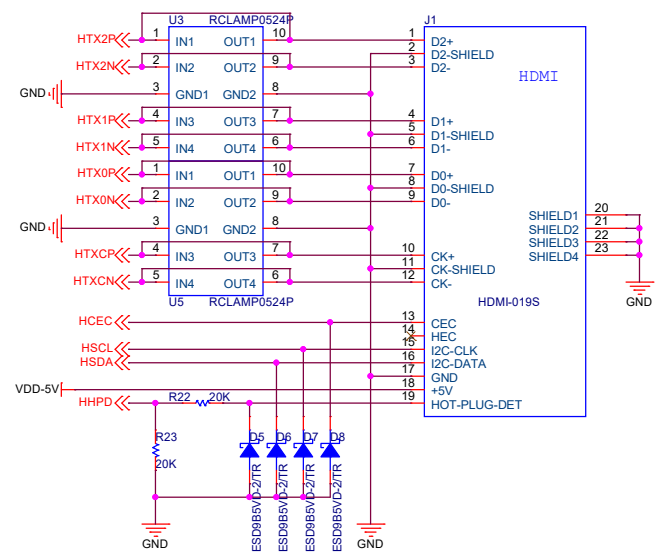


Title	<Title>	Rev	<Rev Code>
Size	A3	Document Number	<Doc>
Date:	Monday, January 11, 2021	Sheet	2 of 4

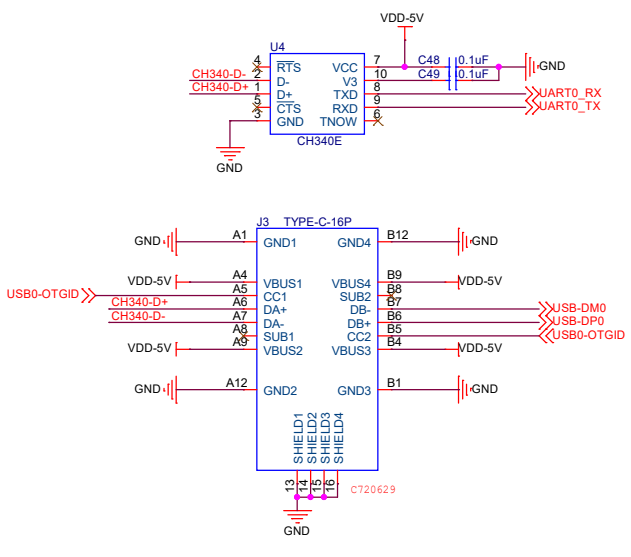


Title		
<Title>		
Size	Document Number	Rev
A	<Doc>	<RevCode>
Date:	Thursday, January 14, 2021	Sheet 3 of 4

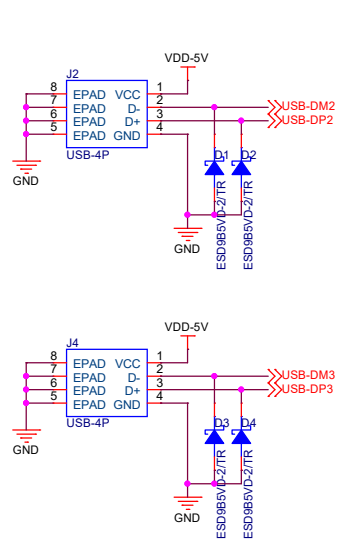
HDMI



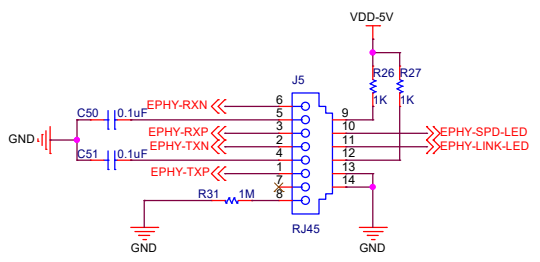
USB-TTL



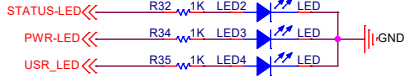
USB-HOST



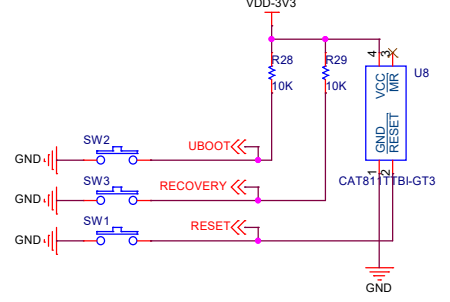
EPHY



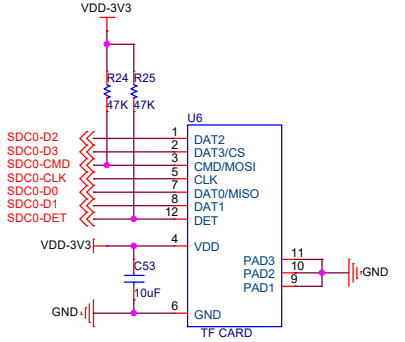
LED



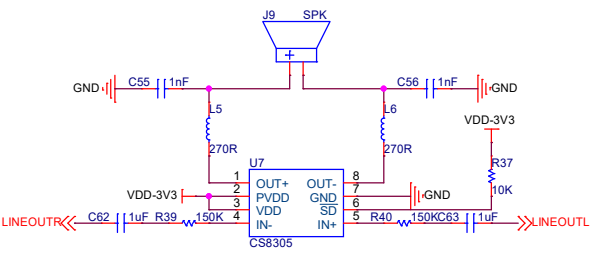
KEY



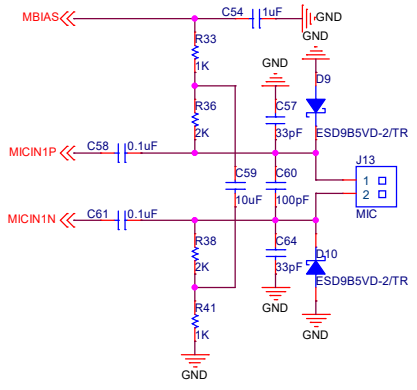
TF-CARD



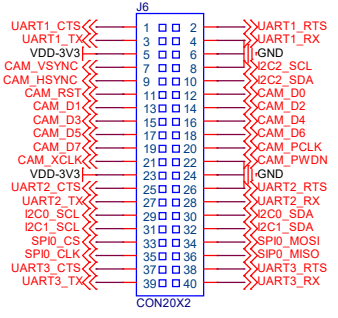
SPEAKER



MIC



INTERFACE



Title	<Title>	Rev	<Rev Code>
Size	A3	Document Number	<Doc>
Date:	Thursday, July 01, 2021	Sheet	4 of 4