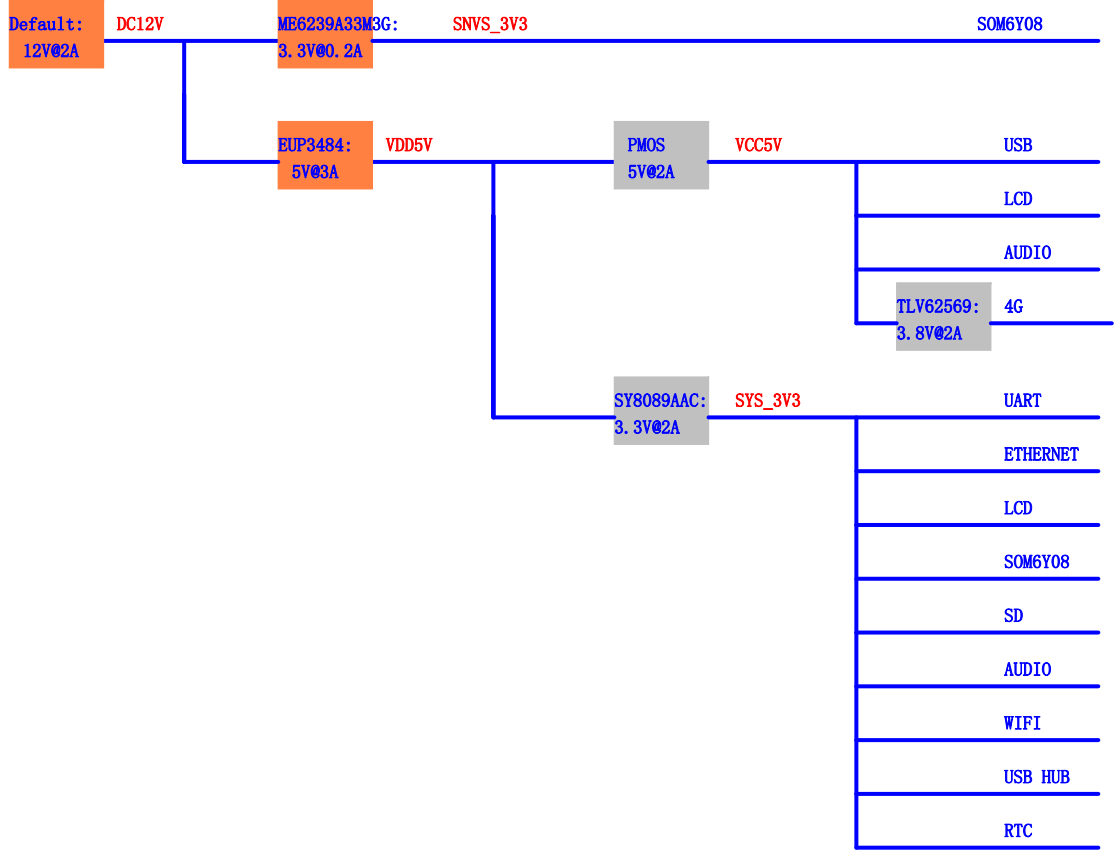
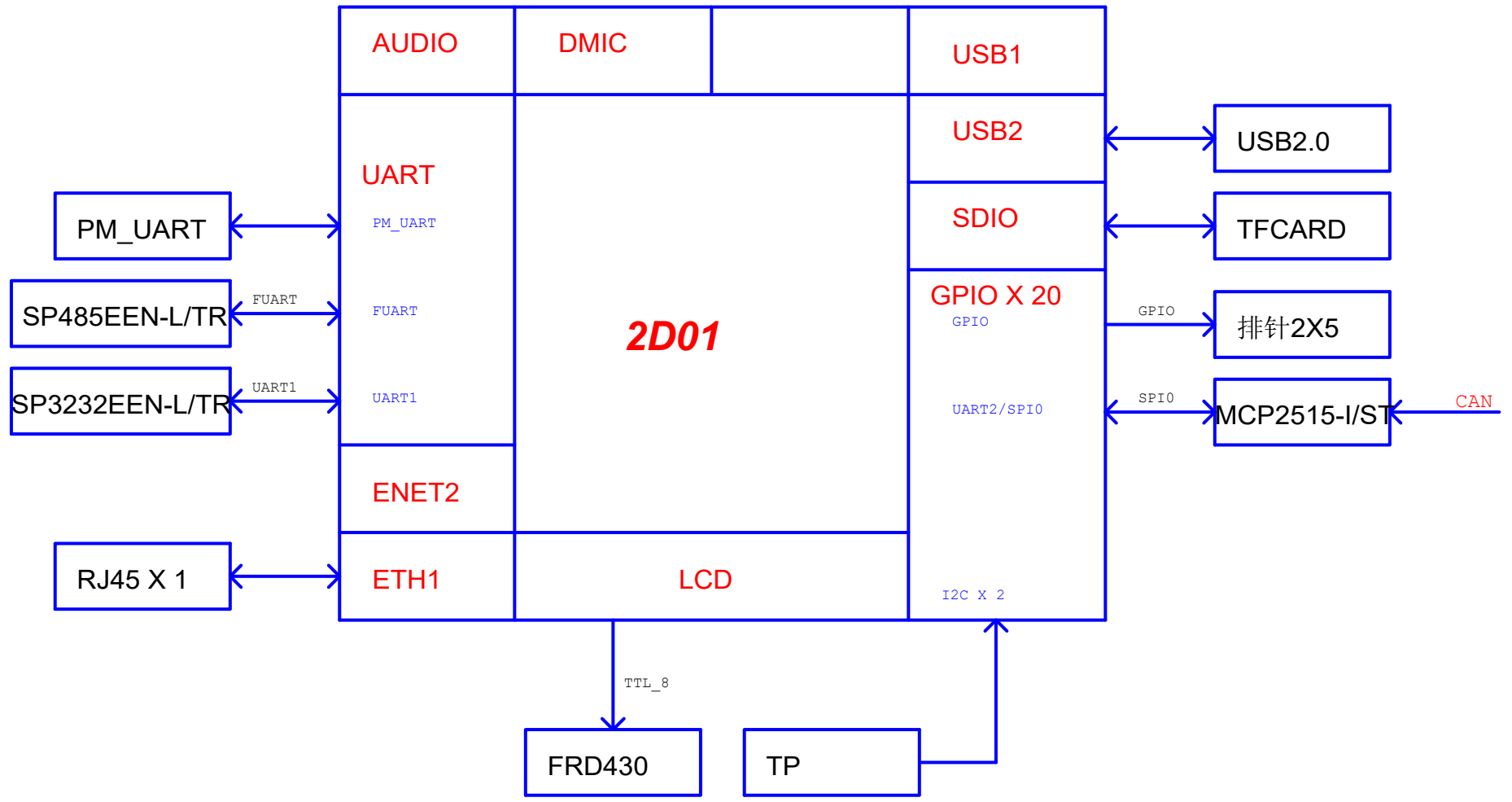
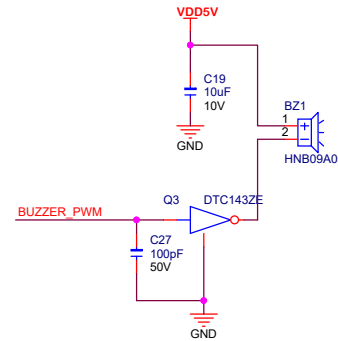
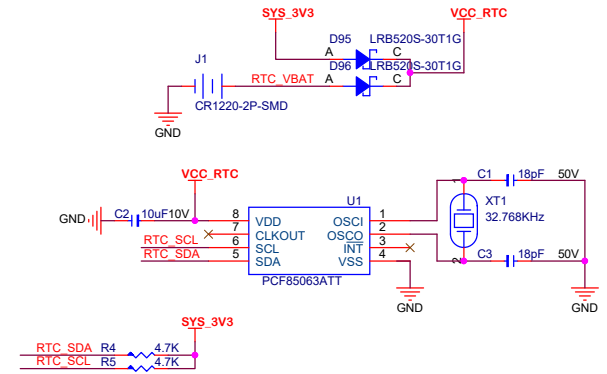
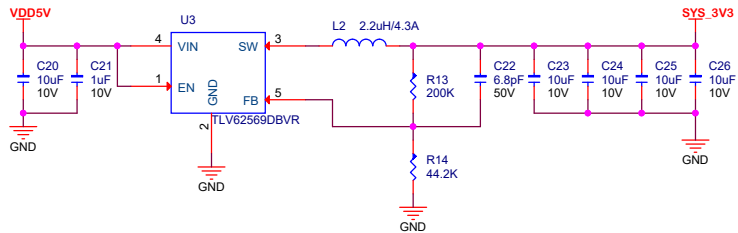
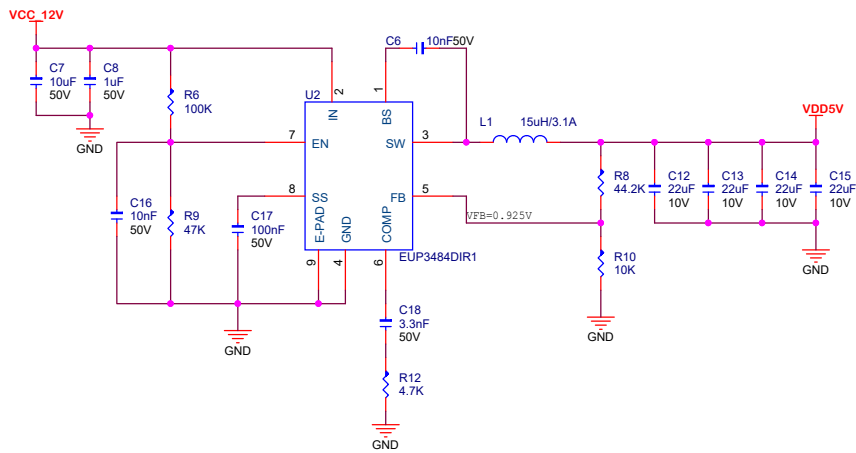
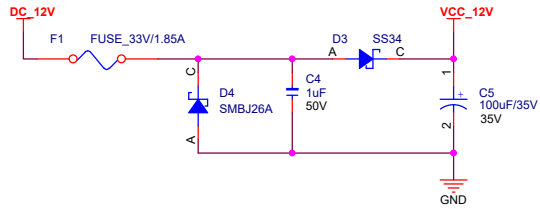
		Shenzhen Tactile Intelligent Technology Co., Ltd.	
Title		IDO-EVB2D01-V1	
Size	Document Number	NOTE	Rev
A3			
Date:	Tuesday, August 25, 2020	Sheet	1 of 12

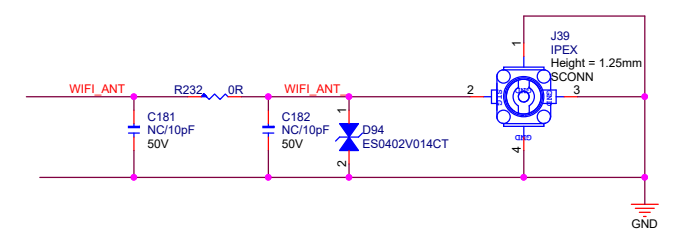
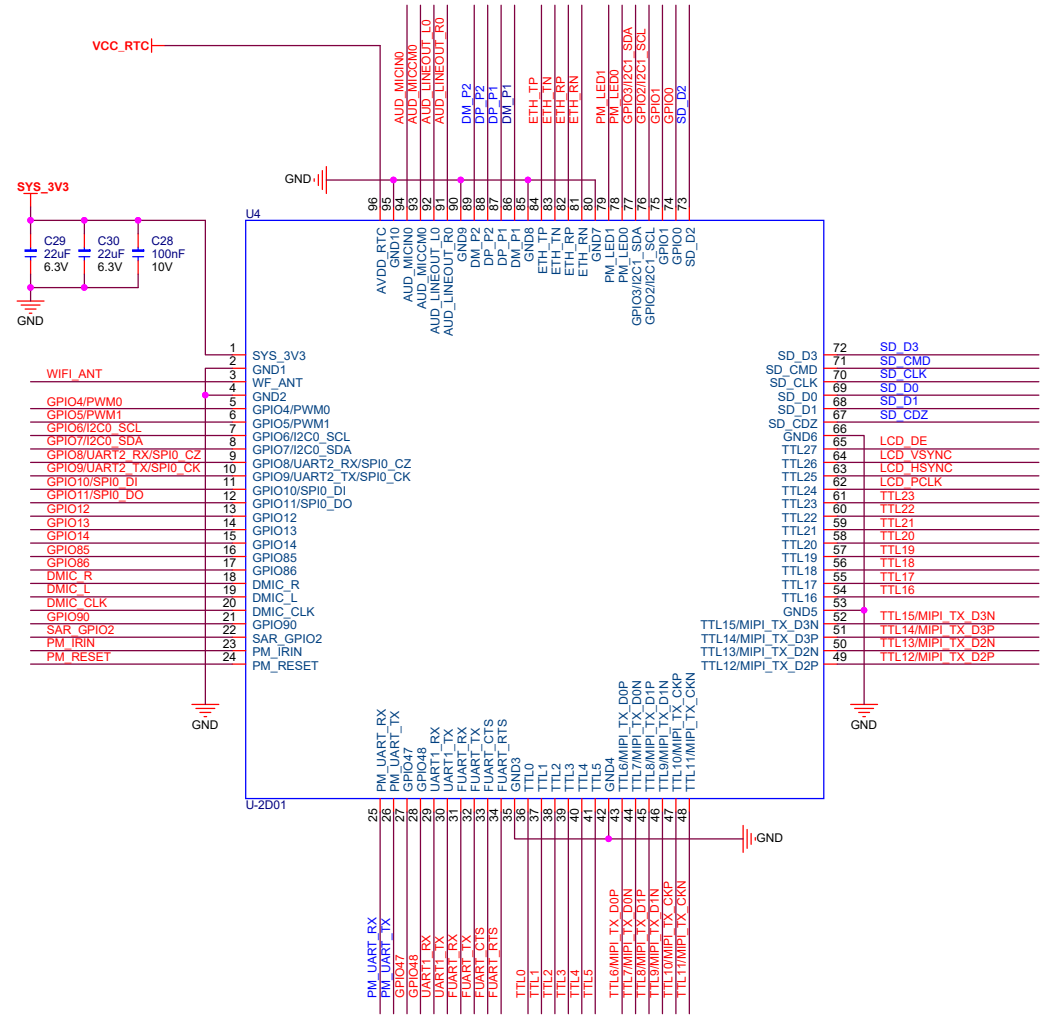
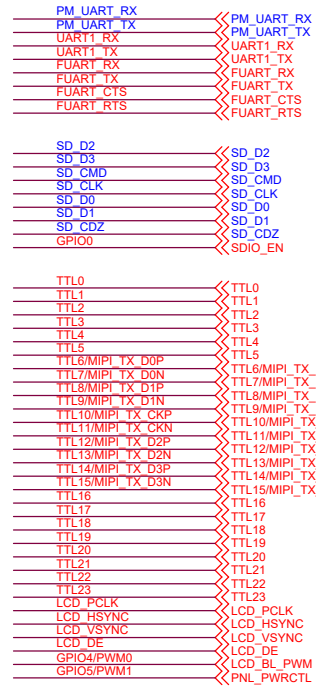
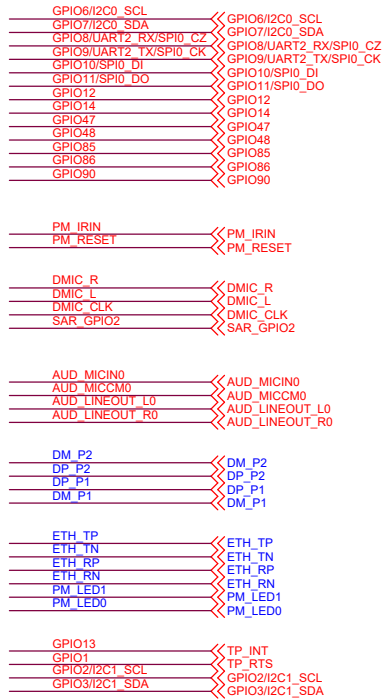




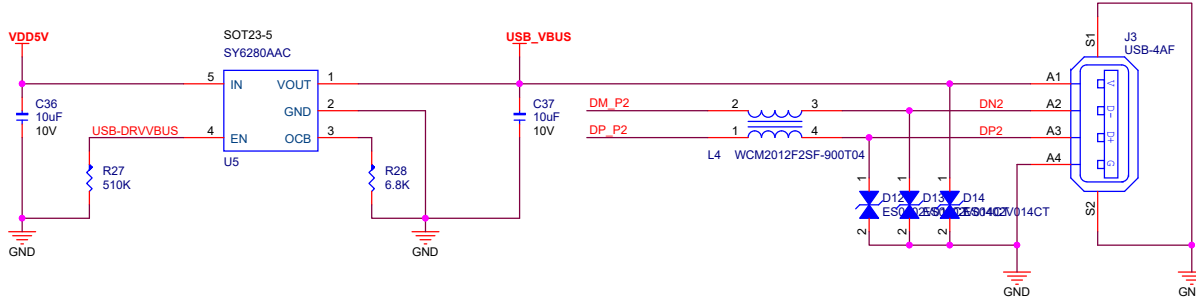
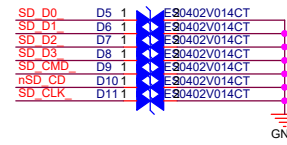
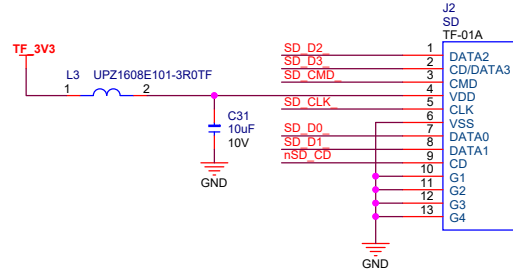
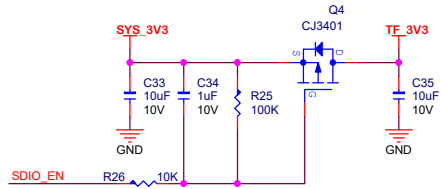
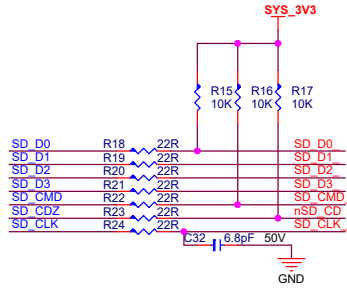
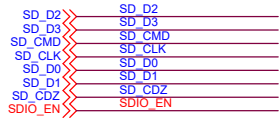
GPIO17/12C0_SDA >> R1 22R RTC_SDA
 GPIO16/12C0_SCL >> R2 22R RTC_SCL

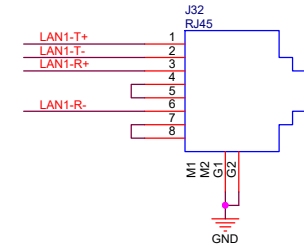
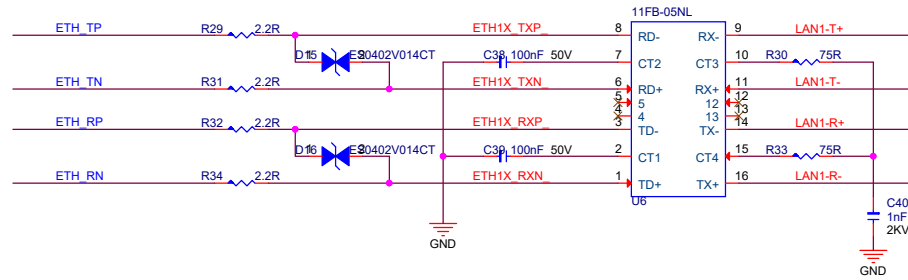
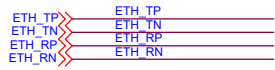
GPIO14 >> R3 22R BUZZER_PWM



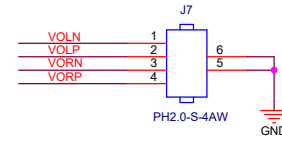
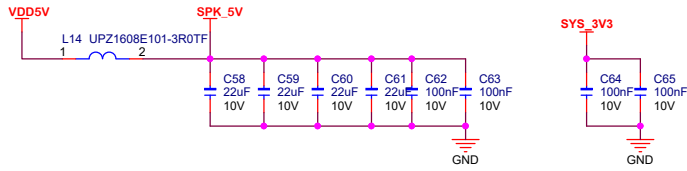
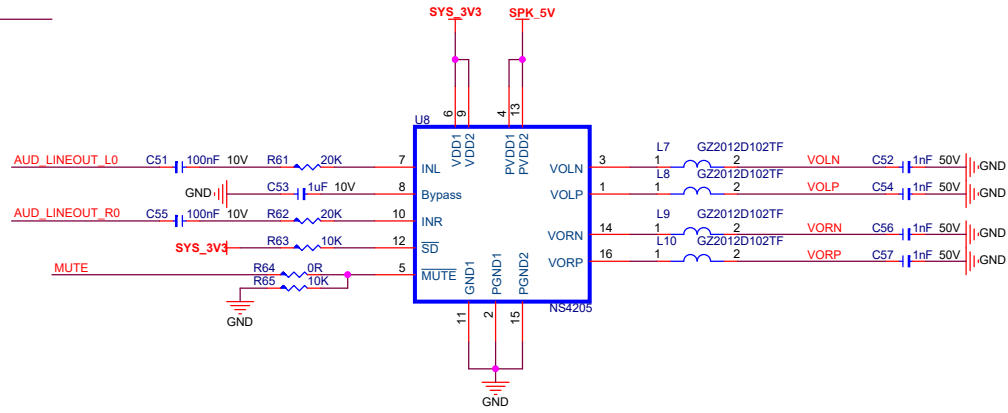


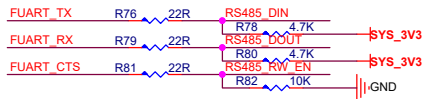
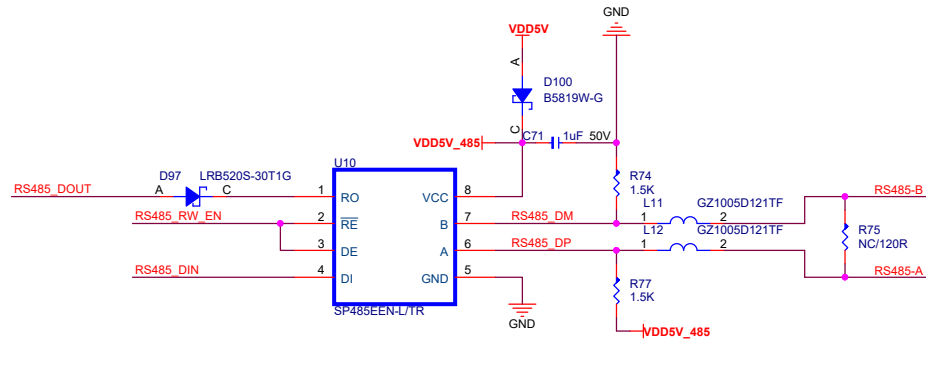
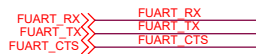
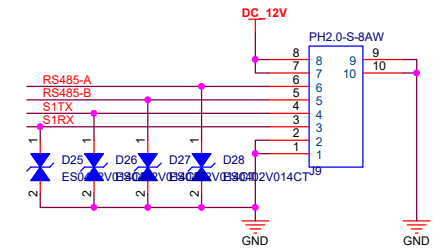
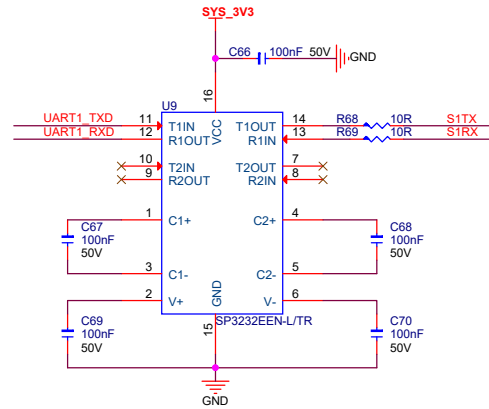
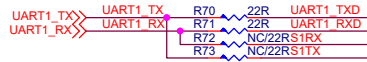
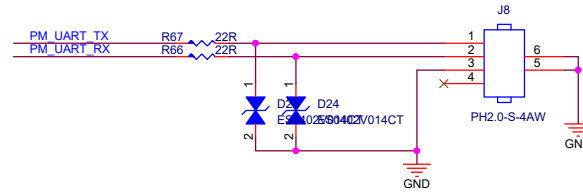
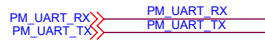
TF_CARD

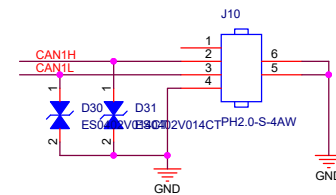
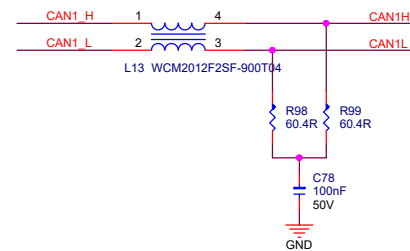
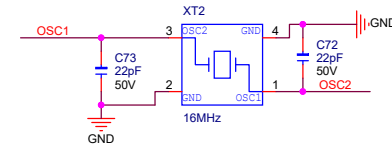
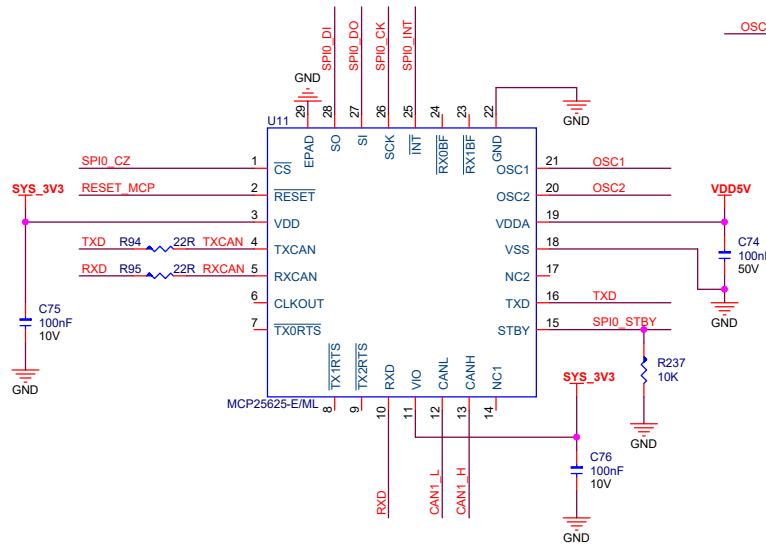
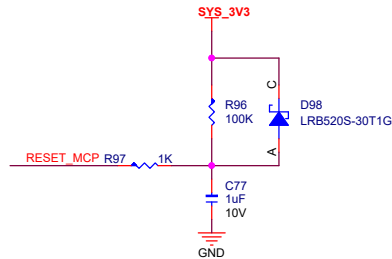
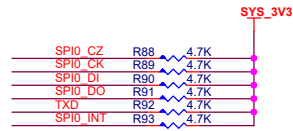
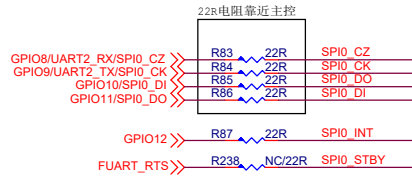




AUD_LINEOUT_L0 >>> AUD_LINEOUT_L0
 AUD_LINEOUT_R0 >>> AUD_LINEOUT_R0
 GPIO47 >>> MUTE







GPIO48 >> GPIO48
 GPIO85 >> GPIO85
 GPIO86 >> GPIO86
 GPIO90 >> GPIO90
 PM_IRIN >> PM_IRIN

