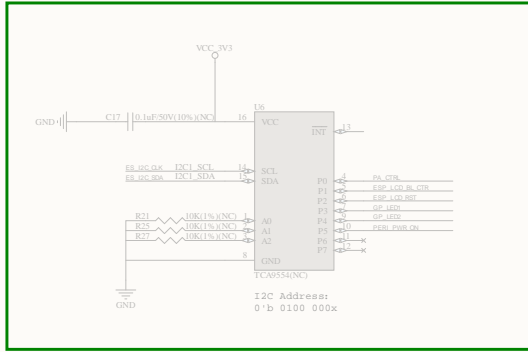


TB店铺：酷世DIY

I/O Expander:



MIC0_WS | I07
MIC0_DATA | I015
MIC0_SCK | I016

SPEAKER_WS | MIC0_WS
SPEAKER_DATA | I06
SPEAKER_SCK | MIC0_SCK

I2C1_SDA | I017
I2C1_SCL | I018
DCM1_CLK | I048
DCM1_HS1NC | I038
DCM1_VSYNC | I021
DCM1_D0 | I045
DCM1_D1 | I047
DCM1_D2 | I044
DCM1_D3 | I040
DCM1_B4 | I05
DCM1_B5 | I042
DCM1_D6 | I041
DCM1_D7 | I039

PWM_IR | I038
WS2812_DAT | I048
SD_CLK | I03
SD_MISO | I04
SD_MOSI | I00
SD_CS | I08

VCC3V3 |
17 |
16 |
15 |
14 |
13 |
12 |
11 |
10 |
9 |
8 |
7 |
6 |
5 |
4 |
3 |
2 |
1 |
Header 17

LCD_DC | I09
LCD_SPI_CS | I010
LCD_RST | I012
LCD_SPI_CLK | I01
LCD_SPI_MOSI | I011
LCD_DC | I09
LCD_SPI_CS | I010
LCD_SPI_MOSI | I011
LCD_SPI_MISO | I013
LCD_SPI_CLK | I01
LCD_SPI_MISO | I013

TP_SCK | I046
TP_CS | I011
TP_MISO | I013
TP_MOSI | I015
TP_BUSY | I013
TP_SCK | I012
TP_MISO | I012
TP_IRQ | I02

TP_IRQ | I02

TP_IRQ | I02

TP_IRQ | I02

TP_IRQ | I02

TP_IRQ | I02

TP_IRQ | I02

TP_IRQ | I02

TP_IRQ | I02

TP_IRQ | I02

TP_IRQ | I02

TP_IRQ | I02

TP_IRQ | I02

TP_IRQ | I02

TP_IRQ | I02

TP_IRQ | I02

TP_IRQ | I02

TP_IRQ | I02

TP_IRQ | I02

TP_IRQ | I02

TP_IRQ | I02

TP_IRQ | I02

TP_IRQ | I02

TP_IRQ | I02

TP_IRQ | I02

TP_IRQ | I02

TP_IRQ | I02

TP_IRQ | I02

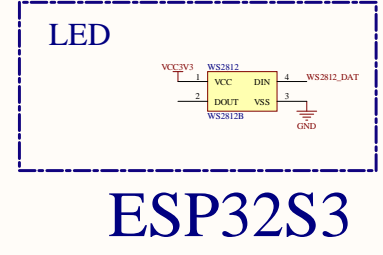
TP_IRQ | I02

TP_IRQ | I02

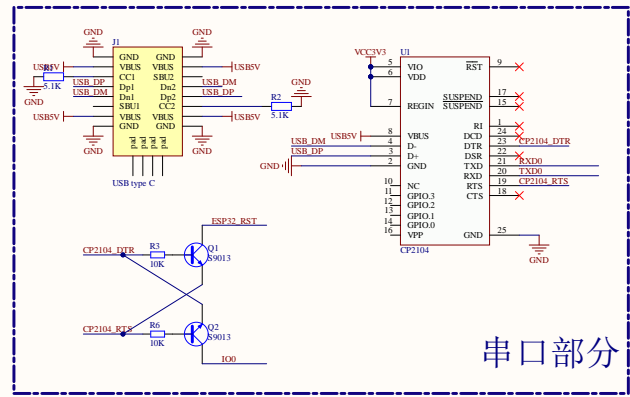
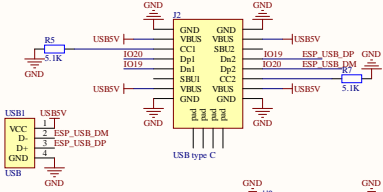
TP_IRQ | I02

TP_IRQ | I02

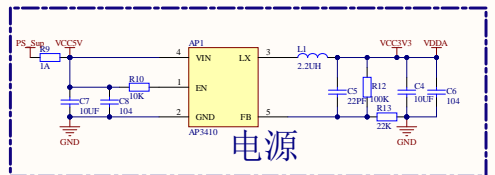
TP_IRQ | I02



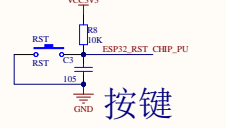
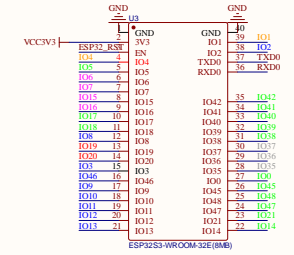
ESP32S3



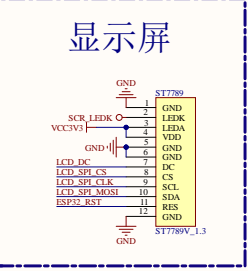
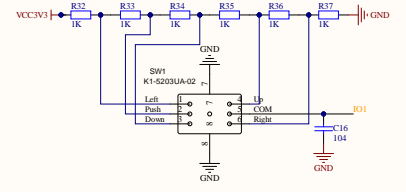
串口部分



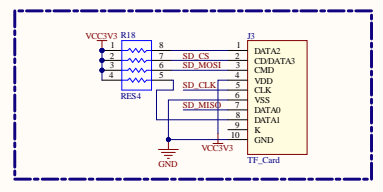
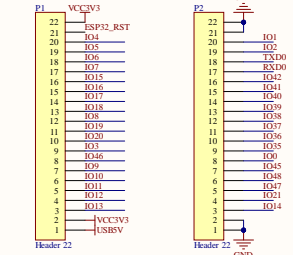
电源



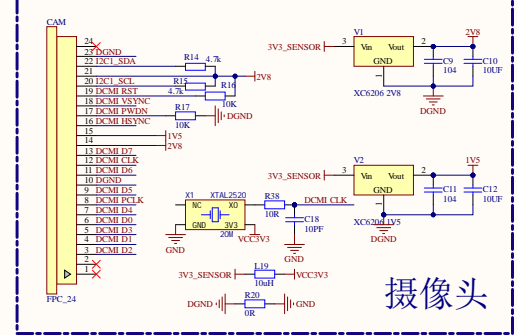
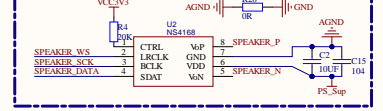
按键



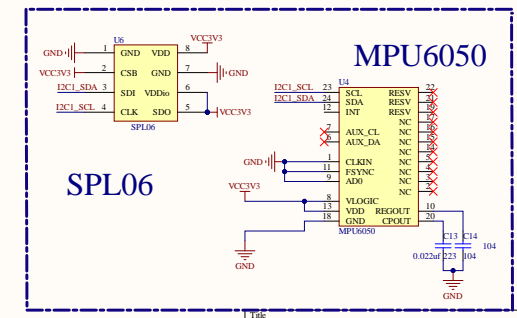
显示屏



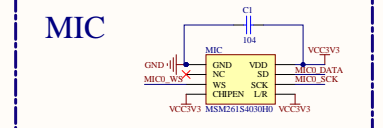
SPEAKER



摄像头

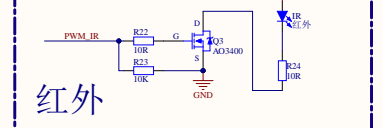


MPU6050



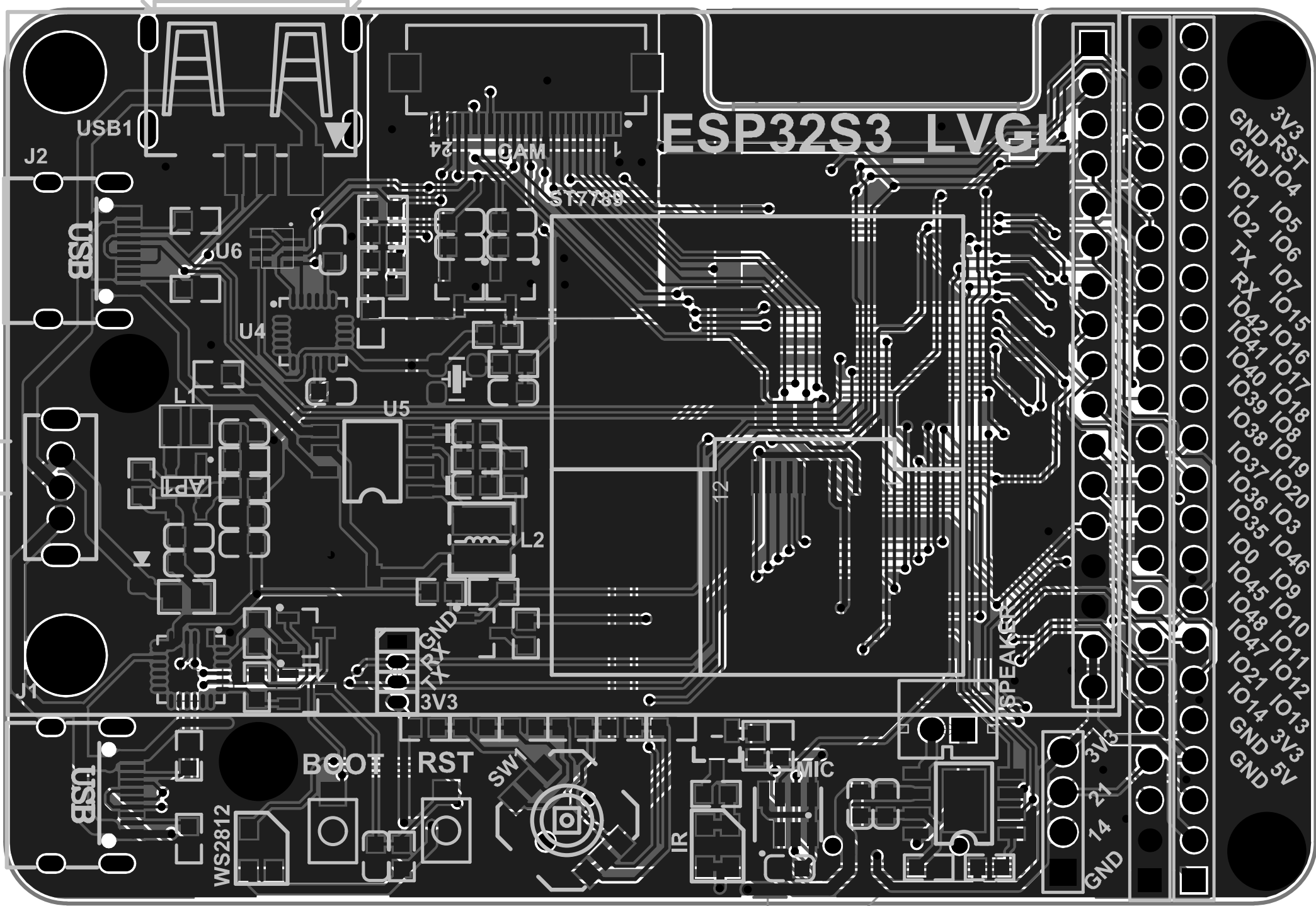
MIC

红外



File	Number	Revision
Size	A2	
Date:	11/14/2021	
File:	D:\Github\ESP32S3_V2.1_SchDoc	Sheet of 1
		Drawn By:

ESP32S3 LVGL



- 3V3
- GND RST
- GND IO4
- IO1 IO5
- IO2 IO6
- IO3 IO7
- IO4 IO15
- IO5 IO16
- IO6 IO17
- IO7 IO18
- IO8 IO19
- IO9 IO20
- IO10 IO21
- IO11 IO12
- IO12 IO13
- IO13 IO14
- IO14 IO15
- IO15 IO16
- IO16 IO17
- IO17 IO18
- IO18 IO19
- IO19 IO20
- IO20 IO21
- IO21 GND
- IO22 3V3
- IO23 GND
- IO24 5V

Board Stack Report