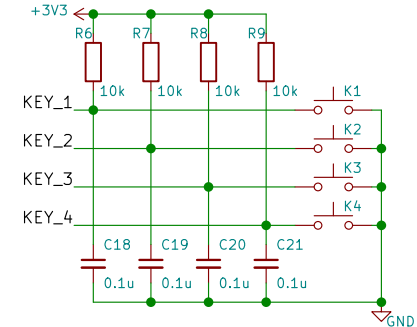
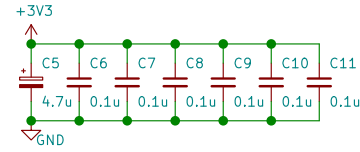
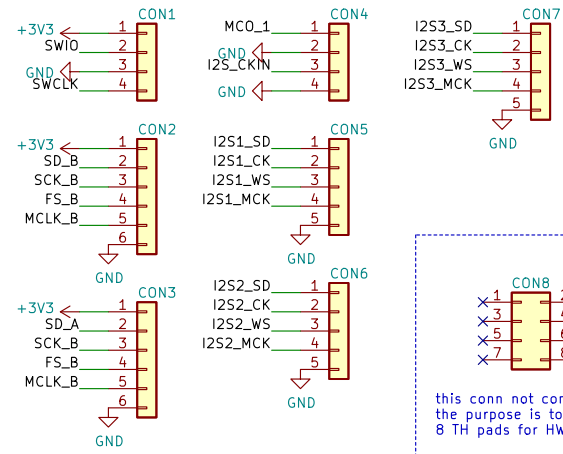
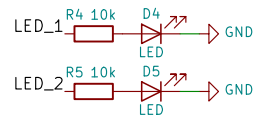
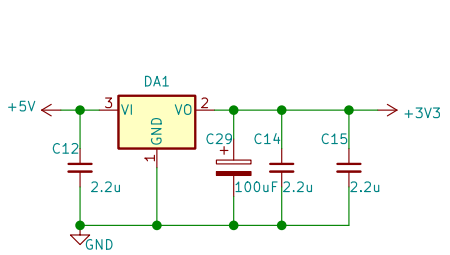
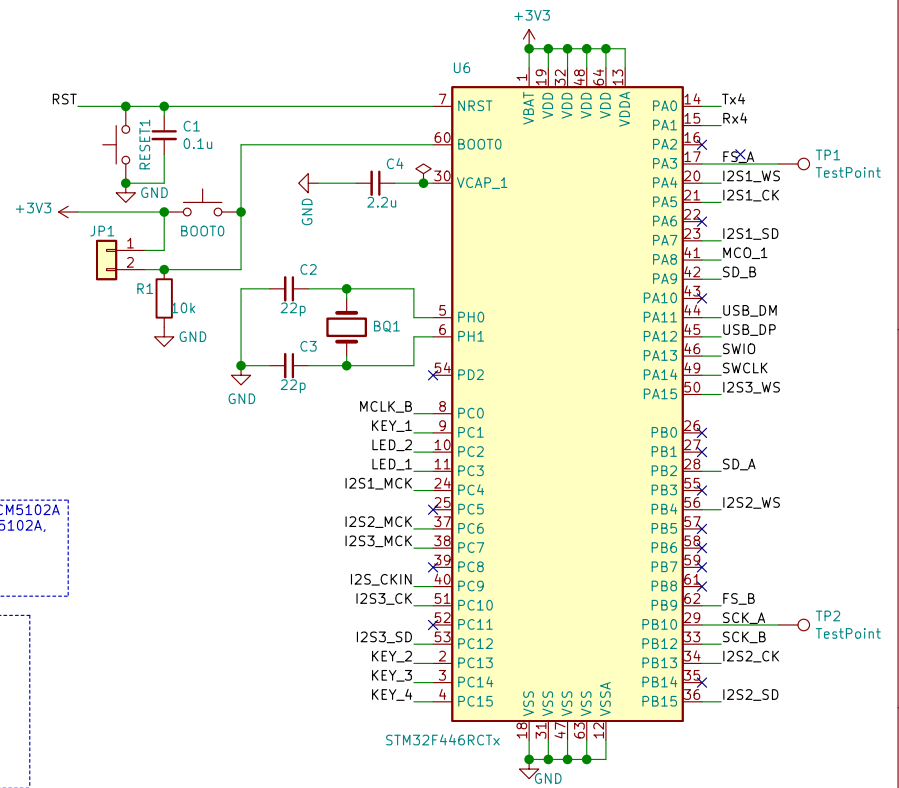
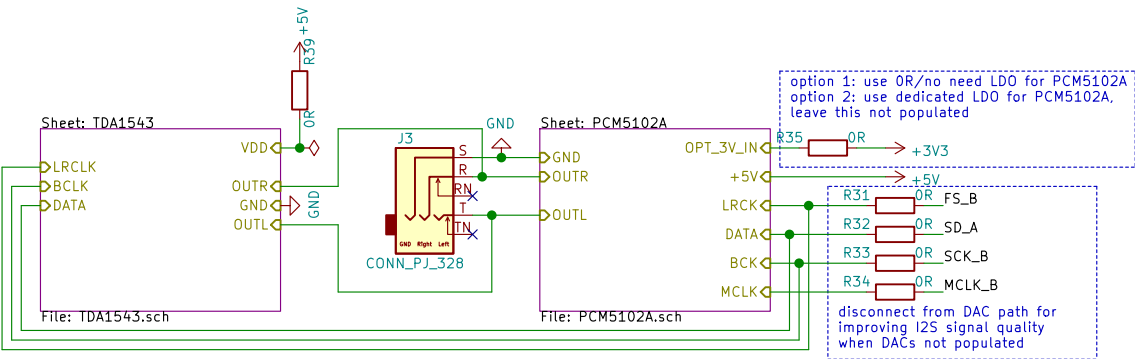
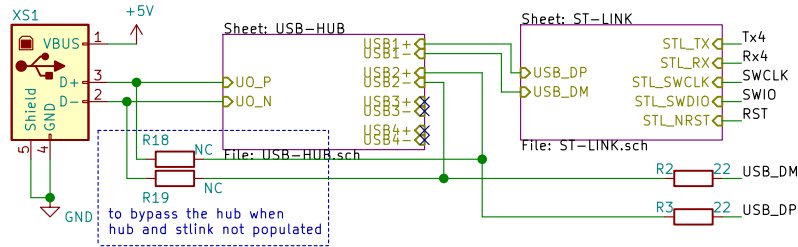


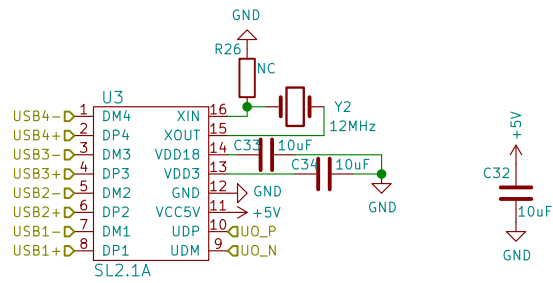
# STM32F446



Sheet: /	
File: USBDAC_R4.sch	
<b>Title: USBDAC-R4</b>	
Size: A4	Date: 2020-10-02
KiCad E.D.A. kicad (5.1.5)-3	Rev: REV1
	Id: 1/5



# USB HUB



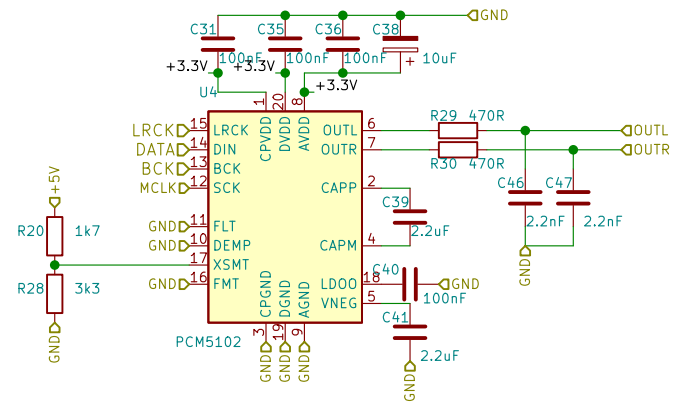
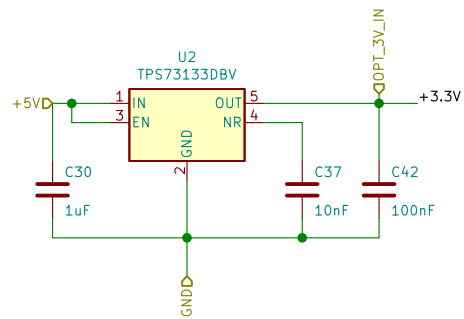
Sheet: /USB-HUB/  
File: USB-HUB.sch

**Title: USB HUB**

Size: A4 Date: 2020-10-02  
KiCad E.D.A. kicad (5.1.5)-3

Rev: REV1  
Id: 3/5

# DAC, PCM5102A



Sheet: /PCM5102A/  
File: PCM5102A.sch

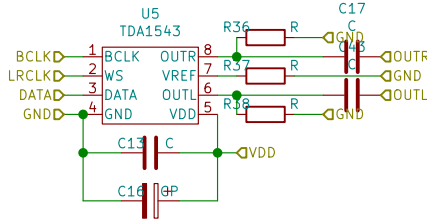
**Title: USBDAC-R4**

Size: A4 Date: 2020-10-02

KiCad E.D.A. kicad (5.1.5)-3

Rev: REV1

Id: 4/5



Sheet: /TDA1543/		
File: TDA1543.sch		
<b>Title:</b>		
Size: A4	Date:	Rev:
KiCad E.D.A. kicad (5.1.5)-3		Id: 5/5