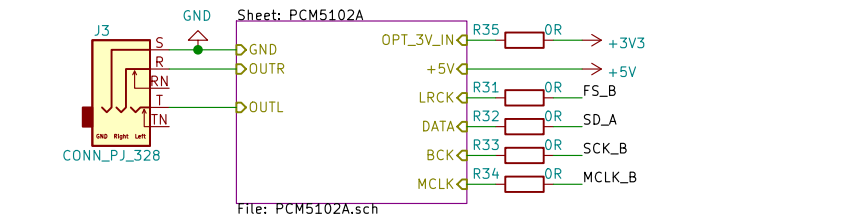
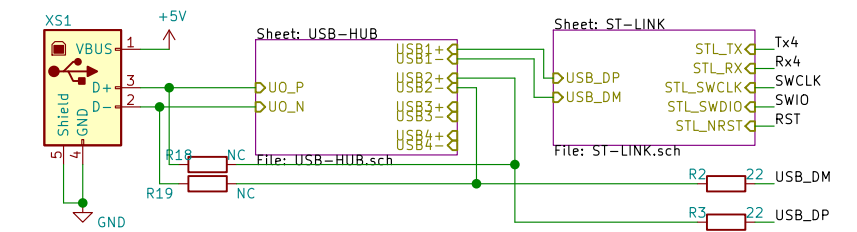
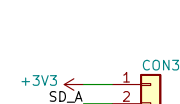
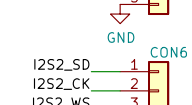
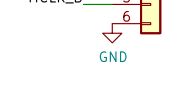
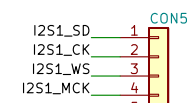
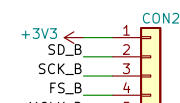
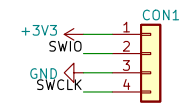
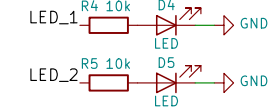
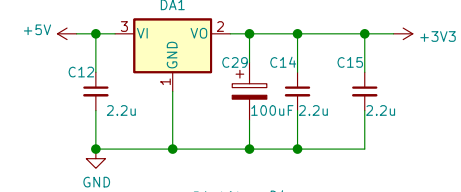
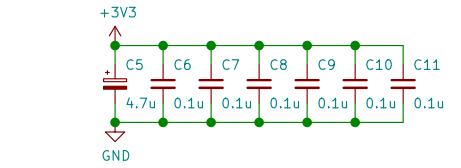
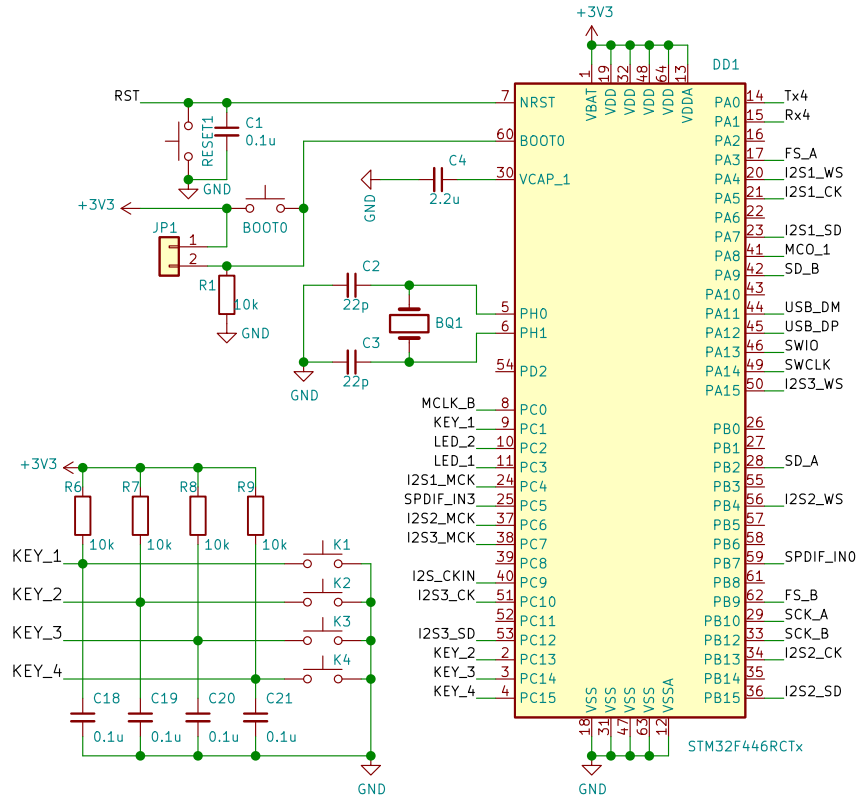


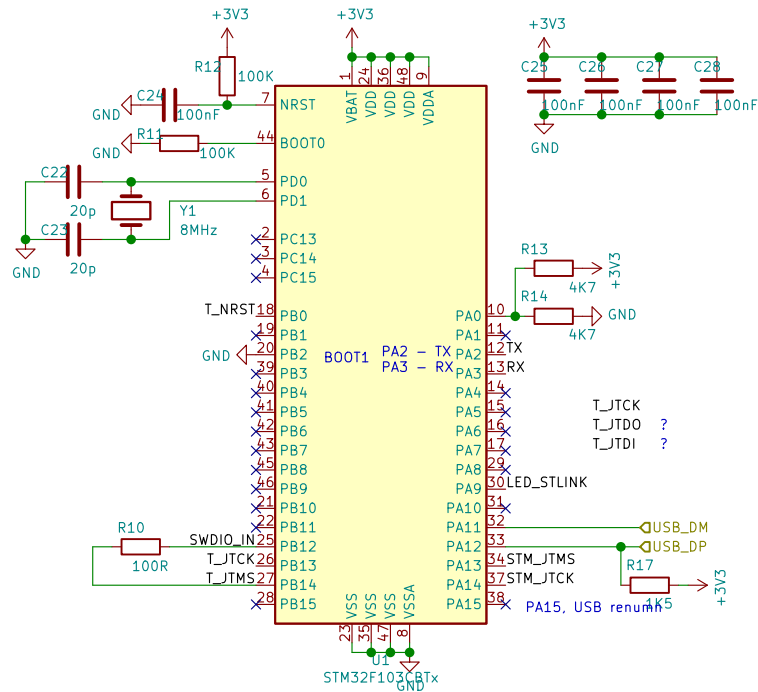
# STM32F446



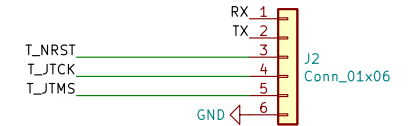
Sheet: /		Date: 2020-10-02	
File: USBDAC_R4.sch		Rev: REV1	
<b>Title: USBDAC-R4</b>		Id: 1/4	
Size: A4	KiCad E.D.A. kicad (5.1.5)-3		

# ST-LINK

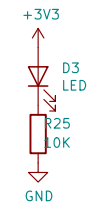
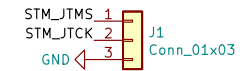
MCU: STM32F103C8T6



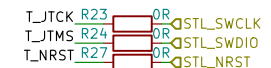
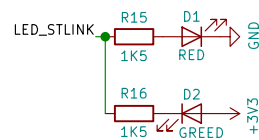
## 1. SWD



## 3. FW DOWNLOAD



## 5. LED



REF: <https://blog.csdn.net/u011976086/article/details/53817901>

REF: <https://github.com/Edragon/stlink-uart>

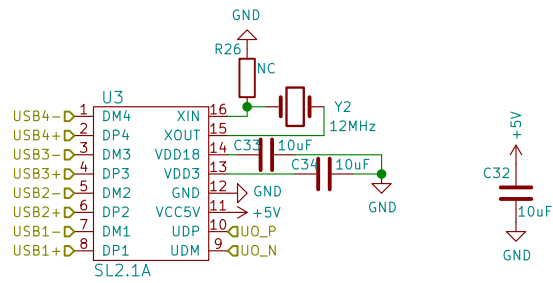
Sheet: /ST-LINK/  
File: ST-LINK.sch

**Title: ST-LINK V2.1**

Size: A4 Date:  
KiCad E.D.A. kicad (5.1.5)-3

Rev: REV1  
Id: 2/4

# USB HUB



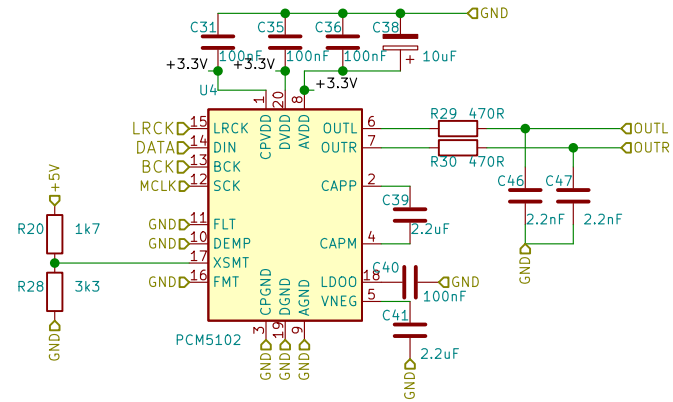
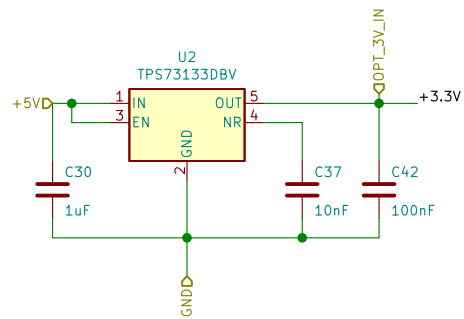
Sheet: /USB-HUB/  
File: USB-HUB.sch

**Title: USB HUB**

Size: A4 Date: 2020-10-02  
KiCad E.D.A. kicad (5.1.5)-3

Rev: REV1  
Id: 3/4

# DAC, PCM5102A



Sheet: /PCM5102A/  
File: PCM5102A.sch

**Title: USBDAC-R4**

Size: A4 Date: 2020-10-02

KiCad E.D.A. kicad (5.1.5)-3

Rev: REV1

Id: 4/4