

U5

PC0	1	21	PB0
PC1	2	22	PB1
PC2	3	23	PB2
PC3	4	24	PB3
PC4	5	25	PB4
PC5	6	26	PB5
	7	27	PB6
PC7	8	28	PB7
PC8	9	29	PB8
	10	30	PB9
PC10	11	31	PB10
PC11	12	32	PA0
PC12	13	33	PA1
PC13	14	34	PA2
PC14	15	35	PA3
PC15	16	36	PA4
	17	37	PA5
BOOT0	18	38	PA6
PD2	19	39	PA7
PA15	20	40	PA8

ModuleBoard_MDAC_USB_Board

U6

+3V3	1	3V3
I2S_DAT	2	DAT
I2S_BCK	3	BCK
I2S_WS	4	WS
I2S_MCLK	5	MCLK/NC
GND	6	GND

Conn_MOD_TDA1543

J3

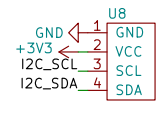
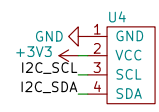
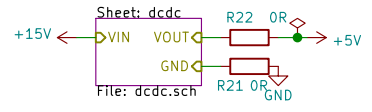
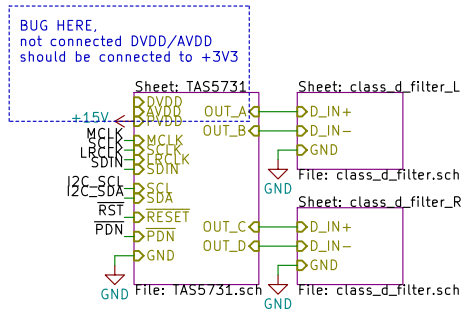
Conn_2Rows-05Pins

+5V	1	2	+5V
GND	3	4	GND
+3V3	5	6	+3V3

Optional connects to external board for testing

J4

GND	1	2	+3V3
	3	4	RST
PDN	5	6	
SCLK	7	8	LRCLK
SDIN	9	10	
I2C_SCL	11	12	I2C_SDA
GND	13	14	GND
	15	16	+15V
+15V	MCLK	17	
		18	+3V3

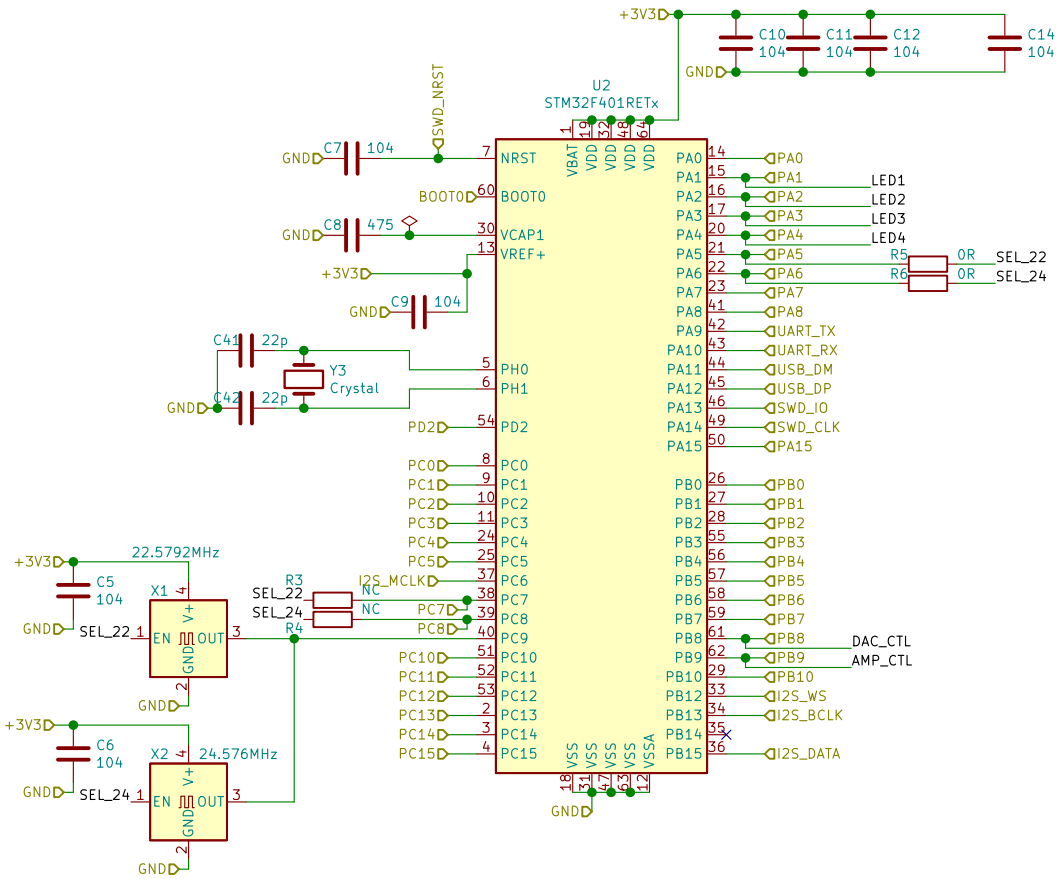


Sheet: /

File: F401-UAC.sch

Title:

Size: A4	Date:
KiCad E.D.A. kicad (5.1.7)-1	Rev:
	Id: 1/6

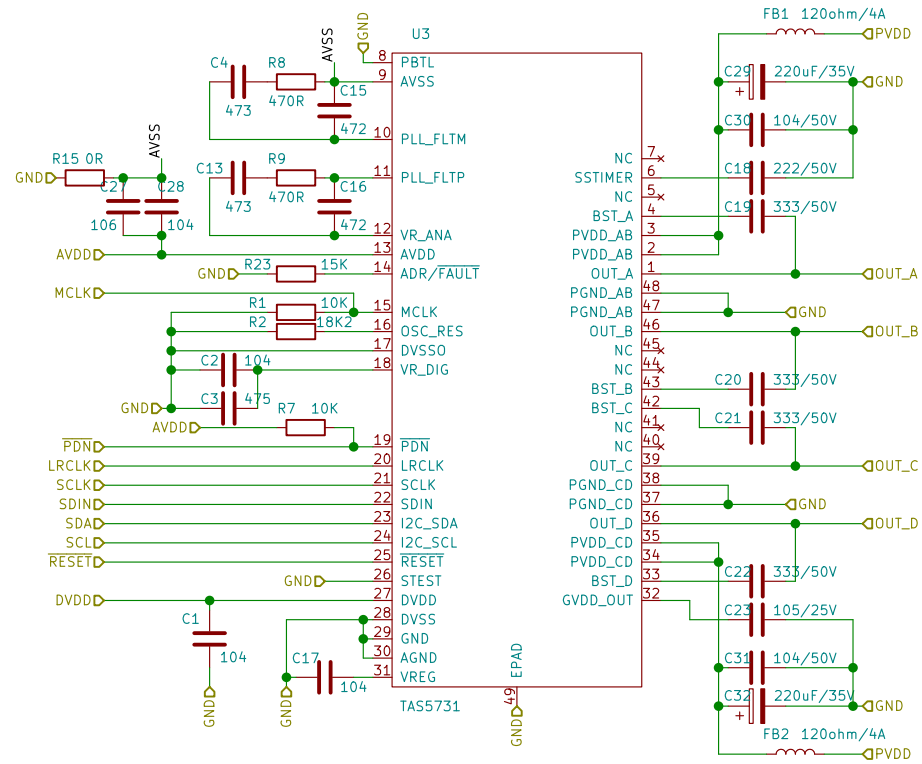


Sheet: /401Rx/
 File: 401Rx.sch

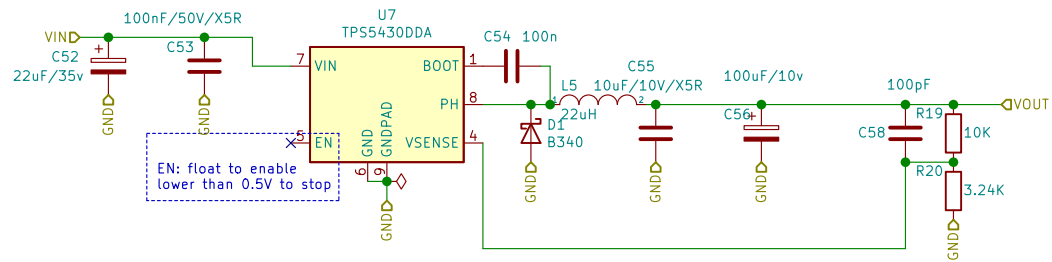
Title:

Size: A4
 KiCad E.D.A. kicad (5.1.7)-1

Date:
 Rev:
 Id: 2/6



Sheet: /TAS5731/		Date:	
File: TAS5731.sch		Rev:	
Title:			
Size: A4	KiCad E.D.A. kicad (5.1.7)-1	Id: 3/6	



<https://www.ti.com/lit/ds/symlink/tps5430.pdf>

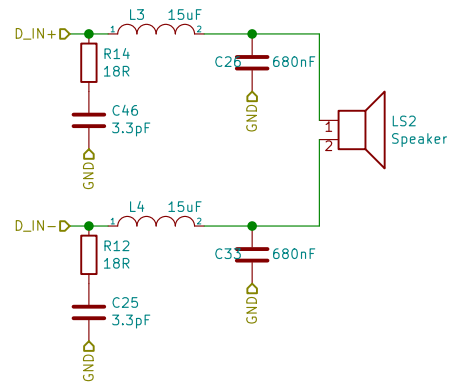
priority
 1. Cn
 2. D
 3. L
 4. Cout

Sheet: /dcdc/
 File: dcdc.sch

Title:

Size: A4 Date:
 KiCad E.D.A. kicad (5.1.7)-1

Rev:
 Id: 4/6



Sheet: /class_d_filter_R/
 File: class_d_filter.sch

Title:

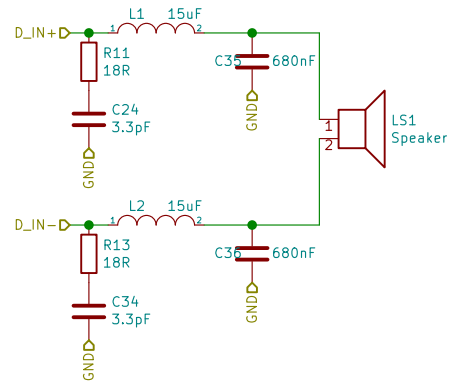
Size: A4

Date:

KiCad E.D.A. kicad (5.1.7)-1

Rev:

Id: 5/6



Sheet: /class_d_filter_L/
File: class_d_filter.sch

Title:

Size: A4

Date:

KiCad E.D.A. kicad (5.1.7)-1

Rev:

Id: 6/6