

1

2

3

4

A

A

B

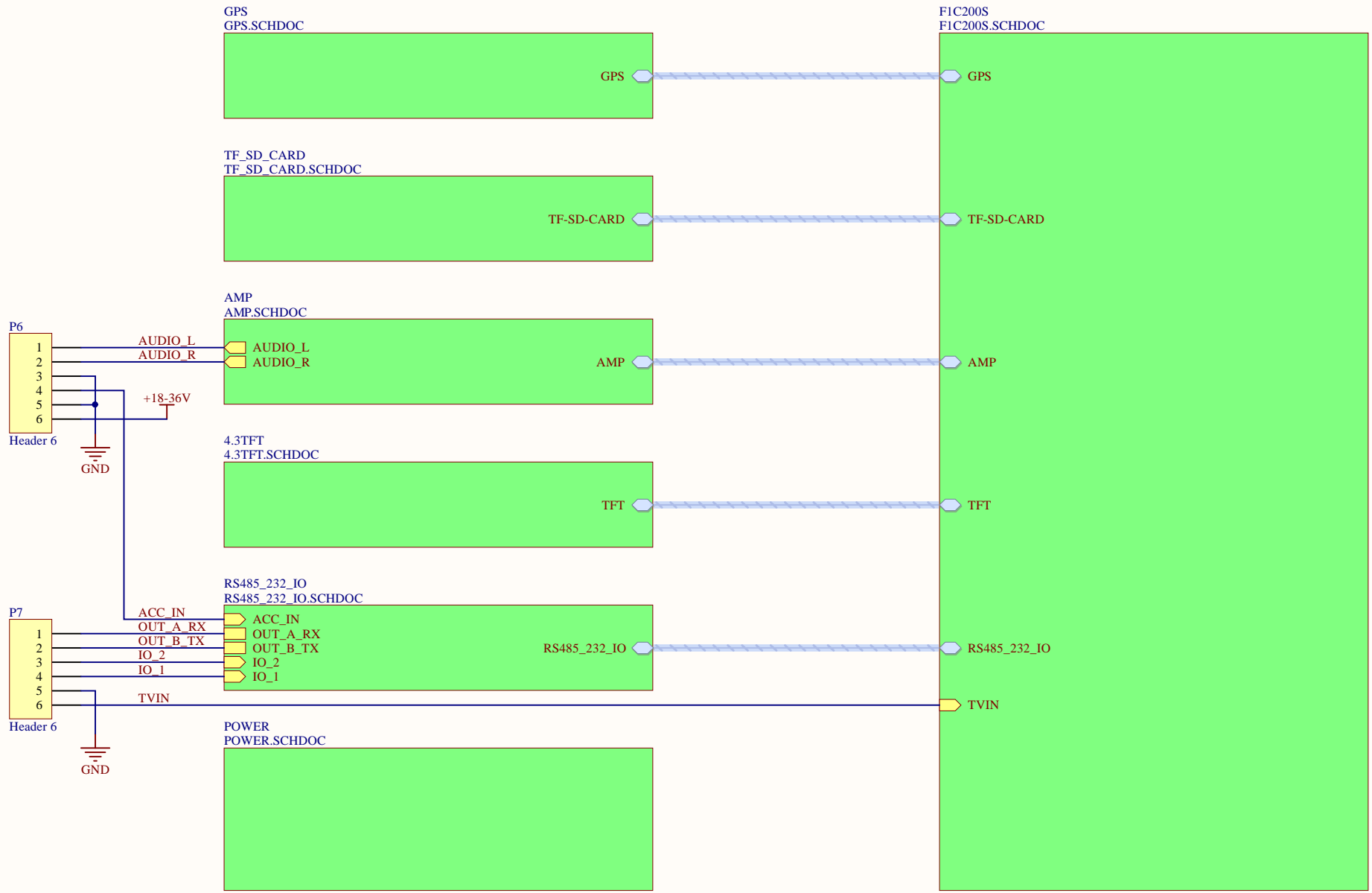
B

C

C

D

D



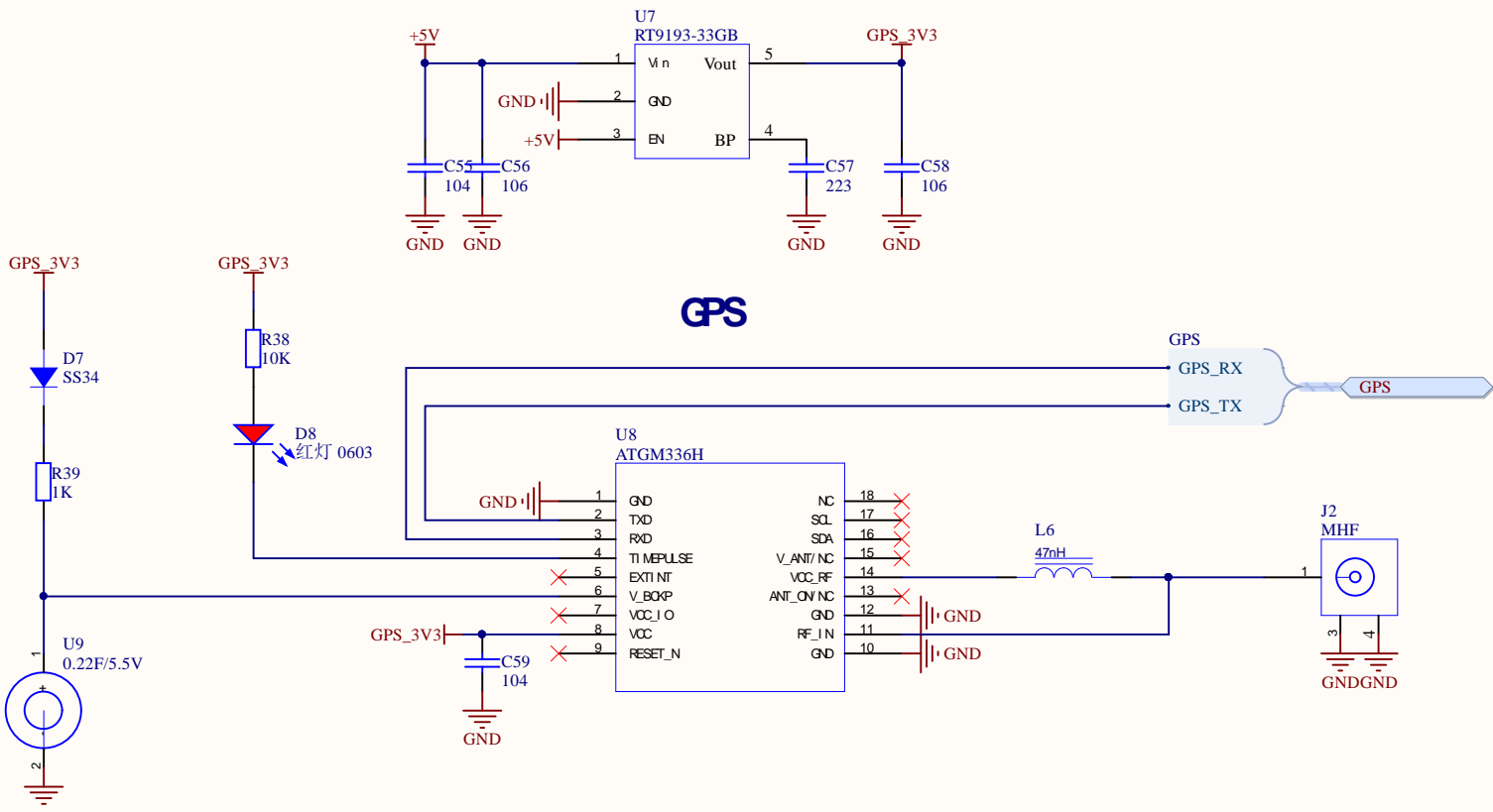
Title MAIN原理图			Altium Limited
Size: A4	Number:1	Revision:A1.0	SCH:吴
Date: 2021/3/6	Time: 下午 04:52:11		PCB:吴
File: J:\f1c200s\硬件\报BSB_001\MAIN.SchDoc		Sheet 1 of 8	webb_2002@163.com

1

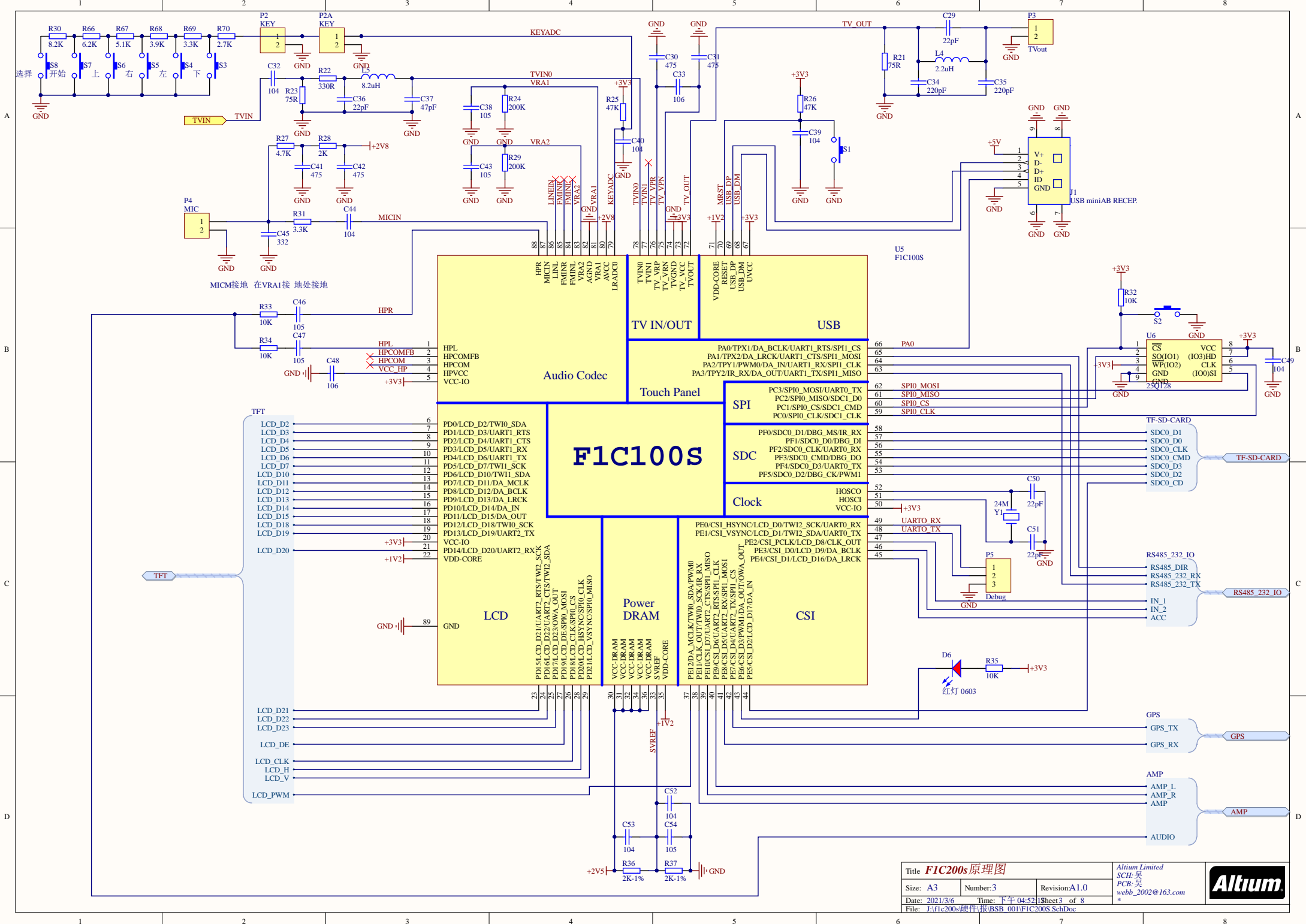
2

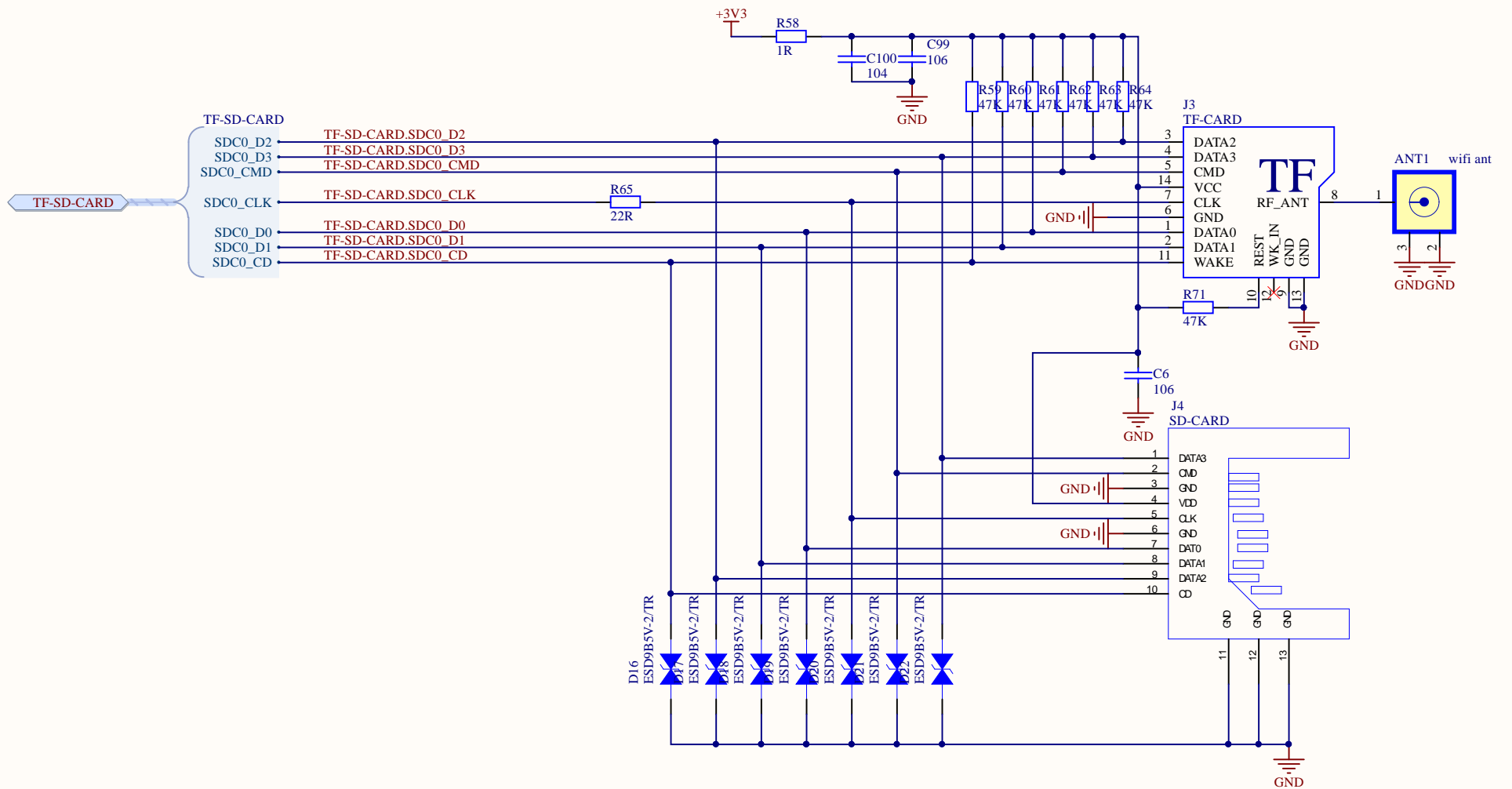
3

4



Title GPS原理图			Altium Limited	
Size: A4	Number: 2	Revision: A1.0	SCH: 吴	
Date: 2021/3/6	Time: 下午 04:52		PCB: 吴	
File: J:\file200s\硬件\报BSB_001\GPS.SchDoc			webb_2002@163.com	





Title **TF-SD-CARD原理图**

Size: A4

Number: 4

Revision: A1.0

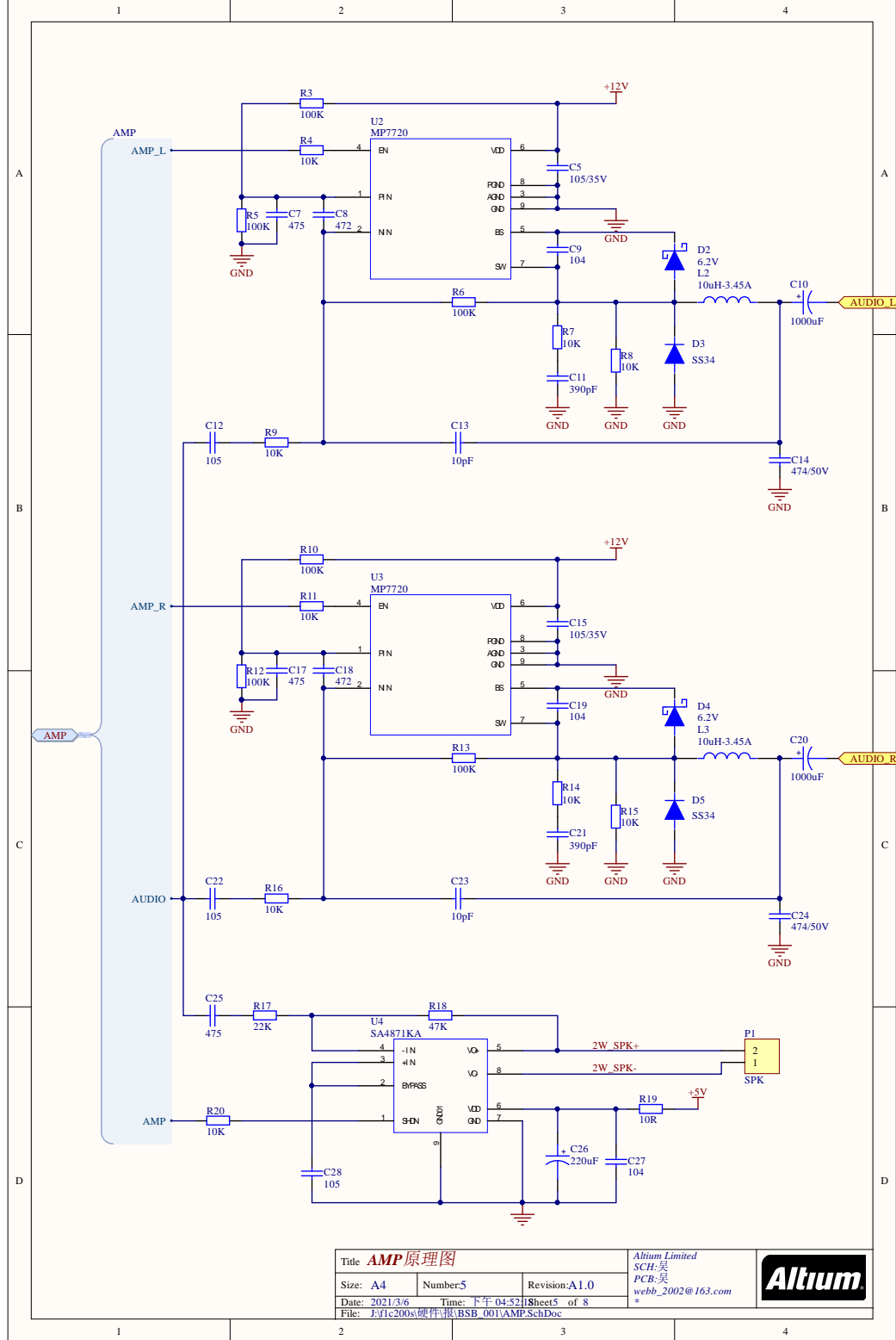
Date: 2021/3/6

Time: 下午 04:52:18 Sheet 4 of 8

File: J:\file200s\硬件\报\BSB_001\TF_SD_CARD.SchDoc

Altium Limited
SCH: 吴
PCB: 吴
webb_2002@163.com
*



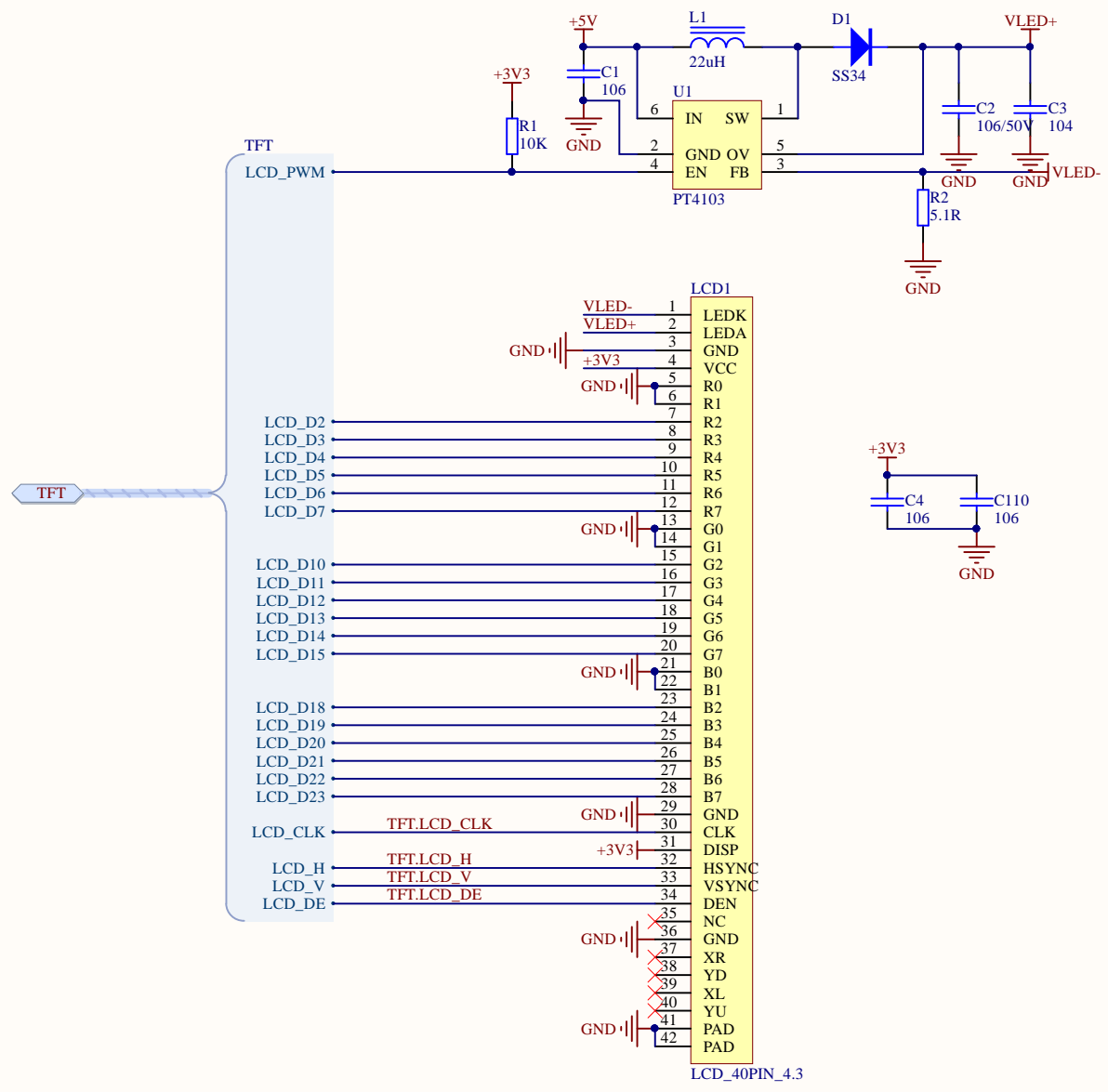


Title AMP原理图

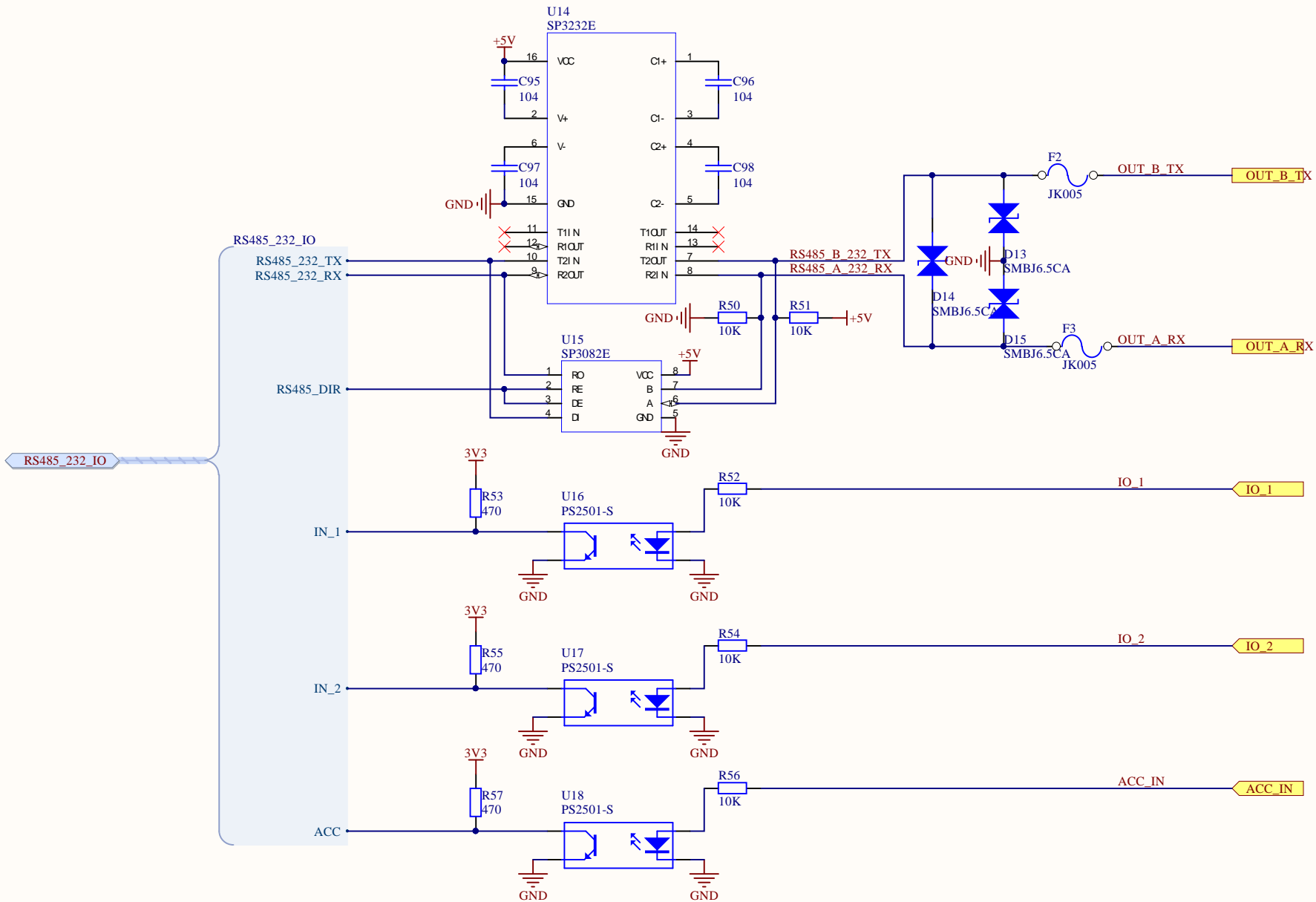
Size: A4 Number:5 Revision:A1.0
 Date: 2021/3/6 Time: 下午 04:52 Sheet5 of 8
 File: J:\ic2008\硬件报\BSB_001\AMP.SchDoc

Altium Limited
 SCH:吴
 PCB:吴
 webb_2002@163.com

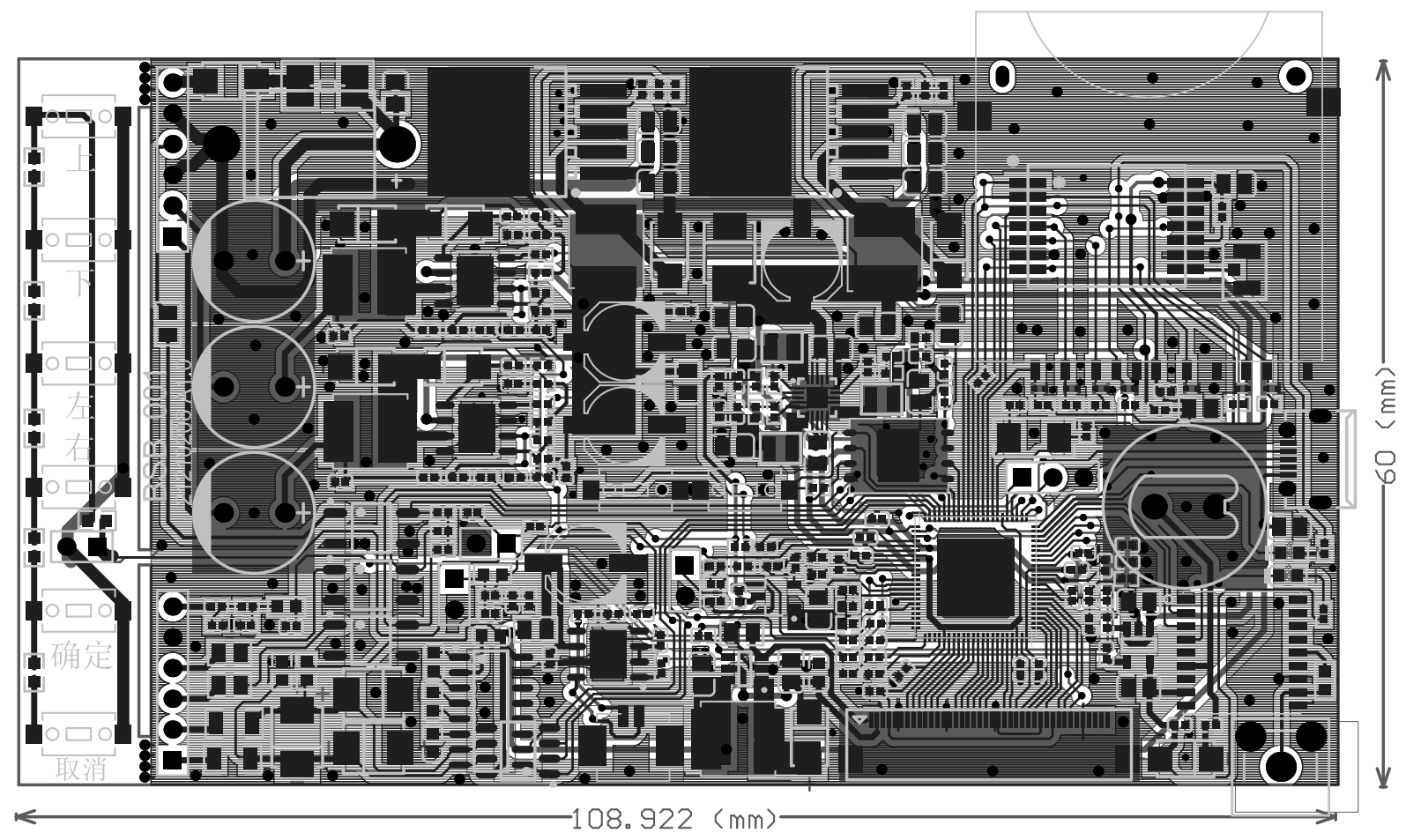




Title 4.3TFT原理图			Altium Limited SCH:吴 PCB:吴 webb_2002@163.com *	
Size: A4	Number:6	Revision:A1.0		
Date: 2021/3/6	Time: 下午 04:52:18 Sheet 6 of 8			
File: J:\file200s\硬件\报BSB_001\4.3TFT.SchDoc				



Title RS485_232_IO 原理图			Altium Limited SCH: 吴 PCB: 吴 webb_2002@163.com *	
Size: A4	Number: 7	Revision: A1.0		
Date: 2021/3/6	Time: 下午 04:52:18		Sheet 7 of 8	
File: J:\file200s\硬件\报BSB_001\RS485_232_IO.SchDoc				



108.922 (mm)

60 (mm)

上
下
左右
确定
取消