

1

2

3

4

A

A

B

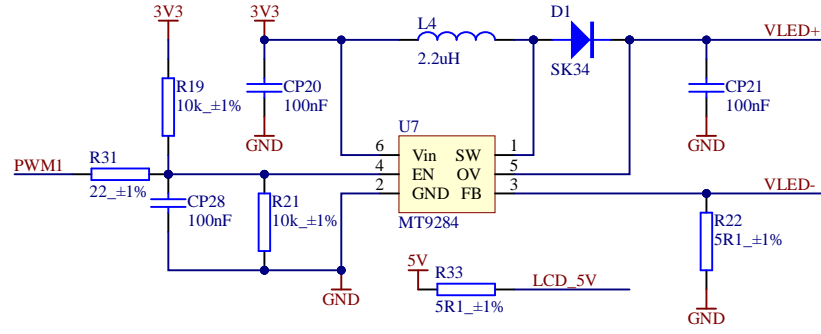
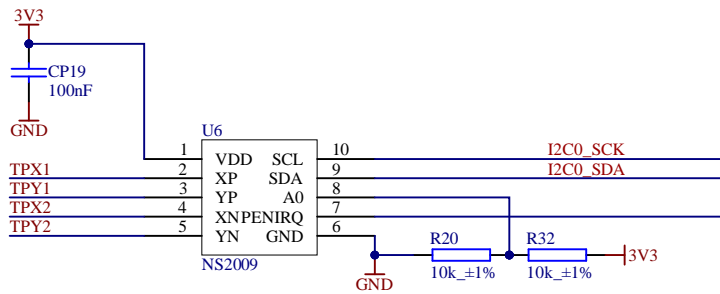
B

C

C

D

D

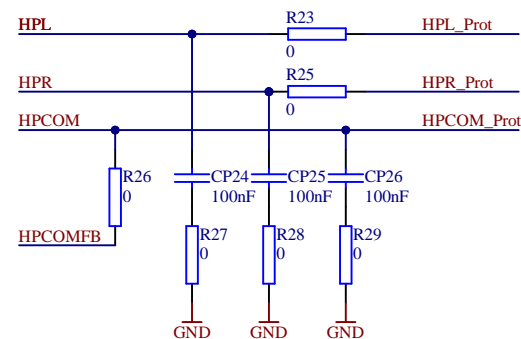
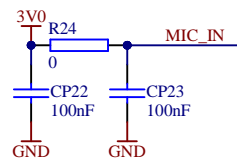
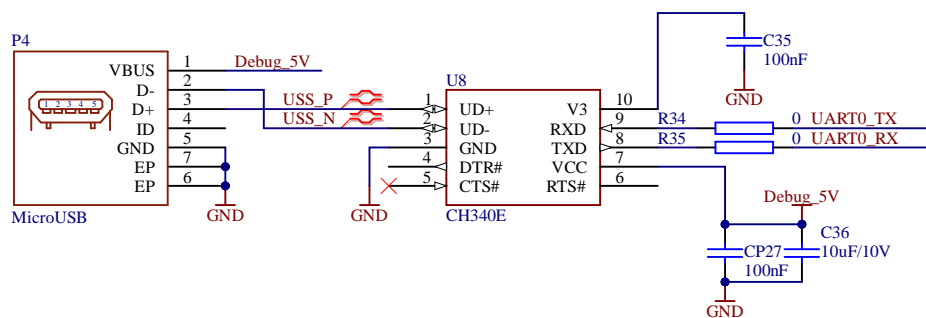


VLED-	1
VLED+	2
GND	3
3V3	4
GND	5
GND	6
PD12/LCD_D18	7
PD13/LCD_D19	8
PD14/LCD_D20	9
PD15/LCD_D21	10
PD16/LCD_D22	11
PD17/LCD_D23	12
GND	13
GND	14
PD6/LCD_D10	15
PD7/LCD_D11	16
PD8/LCD_D12	17
PD9/LCD_D13	18
PD10/LCD_D14	19
PD11/LCD_D15	20
GND	21
GND	22
PD0/LCD_D2	23
PD1/LCD_D3	24
PD2/LCD_D4	25
PD3/LCD_D5	26
PD4/LCD_D6	27
PD5/LCD_D7	28
GND	29
PD18/LCD_CLK	30
3V3	31
PD20/LCD_HSYNC	32
PD21/LCD_VSYNC	33
PD19/LCD_DE	34
LCD_5V	35
GND	36
TPX1	37
TPY1	38
TPX2	39
TPY2	40

P2  
40PIN

P5		16PIN_D	
3V3	1	2	HPCOM_Prot
3V3	3	4	HPL_Prot
GND	5	6	HPR_Prot
LINL	7	8	MIC_IN
GND	9	10	AD_KEY
GND	11	12	RESET
PA0/SPI1_CS	13	14	PA1/SPI1_MOSI
UART1_RX/SPI1_CLK	15	16	UART1_TX/SPI1_MISO

P3		16PIN_D	
PORT_5V	1	2	3V3
GND	3	4	UART0_RX
UART0_TX	5	6	PE2
PE3/RTC_SCL	7	8	PE4/RTC_SDA
USB_ID	9	10	PWM1
SPI1_CS/UART2_TX	11	12	SPI1_MOSI/UART2_RX
SPI1_CLK	13	14	SPI1_MISO
I2C0_SCK	15	16	I2C0_SDA



55.00

34.00

ZL-F1C200S V1.0

