

U6
V3X COPY

v3x核心

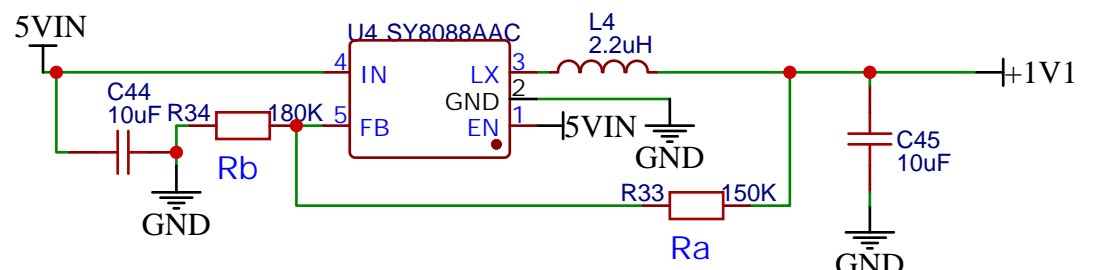
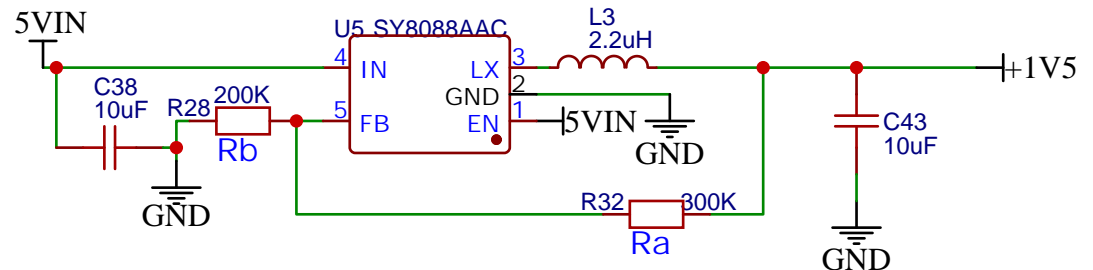
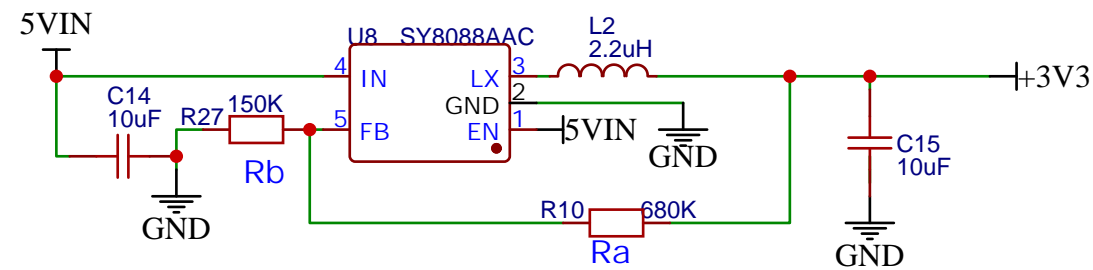
晶振/重启

V3x whycan

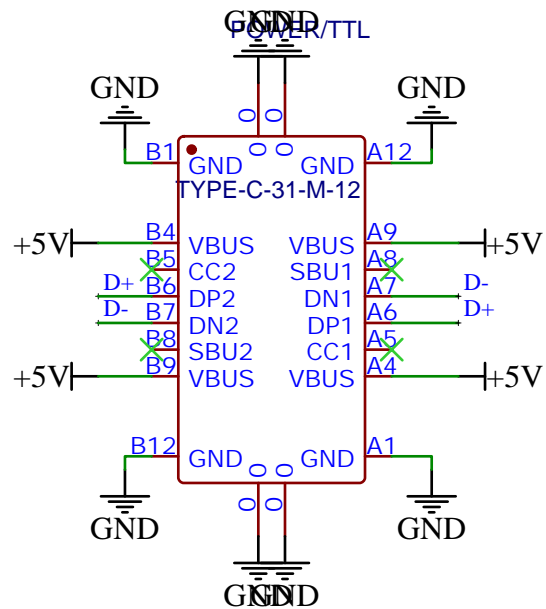
40PIN外部排针

TITLE: Core		REV: 1.0
Company: Your Company		Sheet: 1/1
Date: 2021-06-25	Drawn By: ftwtwzy	

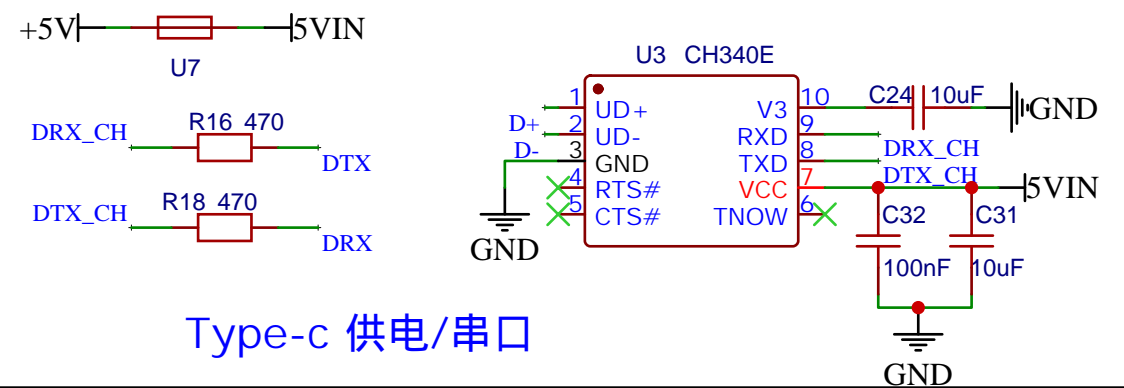
128	SDC1_CLK	PG0/SDC1_CLK/PG_EINT0			
127	SDC1_CMD	PG1/SDC1_CMD/PG_EINT1			
126	SDC1_D0	PG2/SDC1_D0/PG_EINT2			
125	SDC1_D1	PG3/SDC1_D1/PG_EINT3			
124	SDC1_D2	PG4/SDC1_D2/PG_EINT4			
123	SDC1_D3	PG5/SDC1_D3/PG_EINT5			
122	UART1_TX	PG6/UART1_TX			
121	UART1_RX	PG7/UART1_RX			
120	UART1_RTS	PG8/UART1_RTS			
119	UART1_CTS	PG9/UART1_CTS			
118	VCC-IO/3.3V	VCC-IO/3.3V			
117	VDD-SYS/1.1V	VDD-SYS/1.1V			
116	HPCOM	HPCOM			
115	HPVCCBP	HPVCCBP			
114	HPVCCIN	HPVCCIN			
113	HP_L	HP_L			
112	HP_R	HP_R			
111	GND				
110	GND				
109	AGND				
108	AVCC/3.3V	AVCC/3.3V			
107	LRADC0				
106	VCC-USB/3.3V	VCC-USB/3.3V			
105	USB-DP				
104	USB-DM				
103	VDD-SYS1/1.1V	VDD-SYS1/1.1V			
102	SDC0_D1	PF0/SDC0_D1/JTAG_MS1			
101	SDC0_D0	PF1/SDC0_D0/JTAG_D11			
100	SDC0_CLK	PF2/SDC0_CLK/UART0_TX			
99	VCC-IO/3.3V	VCC-IO/3.3V			
98	SDC0_CMD	PF3/SDC0_CMD/JTAG_DO1			
97	SDC0_D3	PF4/SDC0_D3/UART0_RX			
96	SDC0_D2	PF5/SDC0_D2/JTAG_CK1			
95	RESET	PF6			
94	RESET				
93	VCC-RTC/3.3V				
92	RTC-VIO				
91	X32KIN				
90	X32KOUT				
89	EPHY-RTX				
88	VDD-EPHY/3.3V				
87	EPHY-TXP				
86	EPHY-TXN				
85	EPHY-RXP				
84	EPHY-RXN				
83	VDD-EPHY/1.1V				
82	VDD-SYS/1.1V				
81	TEST				
80	EPHY-SPD-LED				
79	EPHY-LINK-LED				
78	VCC-PLL/3.3V				
77	X24MIN				
76	X24MOUT				
75	ZQ				
74	VCC-DRAM/1.5V				
73	VCC-DRAM/1.5V				
72	VCC-DRAM/1.5V				
71	SVREF/0.75V				
70	VCC-DRAM/1.5V				
69	VCC-DRAM/1.5V				
68	VCC-DRAM/1.5V				
67	SVREF/0.75V				
66	VCC-DRAM/1.5V				
65	VDD-SYS1/1.1V				
64	VDD-SYS1/1.1V				
51	VDD-CPU/1.1V				
52	PC0/SDC2_CLK/SPI_MISO				
53	PC1/SDC2_CMD/SPI_CLK				
54	PC2/SDC2_RST/SPI_CS				
55	PC3/SDC2_D0/SPI_MOSI				
56	PC4/SDC2_D1				
57	PC5/SDC2_D2				
58	VDD-CPU/1.1V				
59	PC6/SDC2_D3				
60	PC7/SDC2_D4				
61	PC8/SDC2_D5				
62	PC9/SDC2_D6				
63	PC10/SDC2_D7				
64	VCC-IO/3.3V				
33	LCD_D6	PE8/CSL_D4/LCD_D6			
34	LCD_D5	PE7/CSL_D3/LCD_D5			
35	LCD_D4	PE6/CSL_D2/LCD_D4			
36	LCD_D4	PE5/CSL_D1/LCD_D3			
37	LCD_D3	PE4/CSL_D0/LCD_D2			
38	LCD_D2	PE3/CSL_VSYNC/LCD_VSYNC			
39	LCD_VSYNC	PE2/CSL_HSYNC/LCD_HSYNC			
40	LCD_HSYNC	PE1/CSL_MCLK/LCD_DE			
41	LCD_DE	PE0/CSL_PCLK/LCD_CLK			
42	LCD_CLK				
43	UART2_TX	PB0/UART2_TX			
44	UART2_RX	PB1/UART2_RX			
45	PB4	PB4/PWM0			
46	PB5	PB5/PWM1			
47	PB6	PB6/TWI0_SCK/PB_EINT6			
48	I2C_SDA	PB7/TWI0_SDA/PB_EINT7			
49	I2C_SCL	PB8/TWI1_SCK/UART0_TX/PB_EINT8			
50	DRX	PB9/TWI1_SDA/UART0_RX/PB_EINT9			



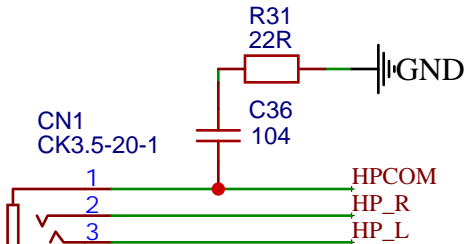
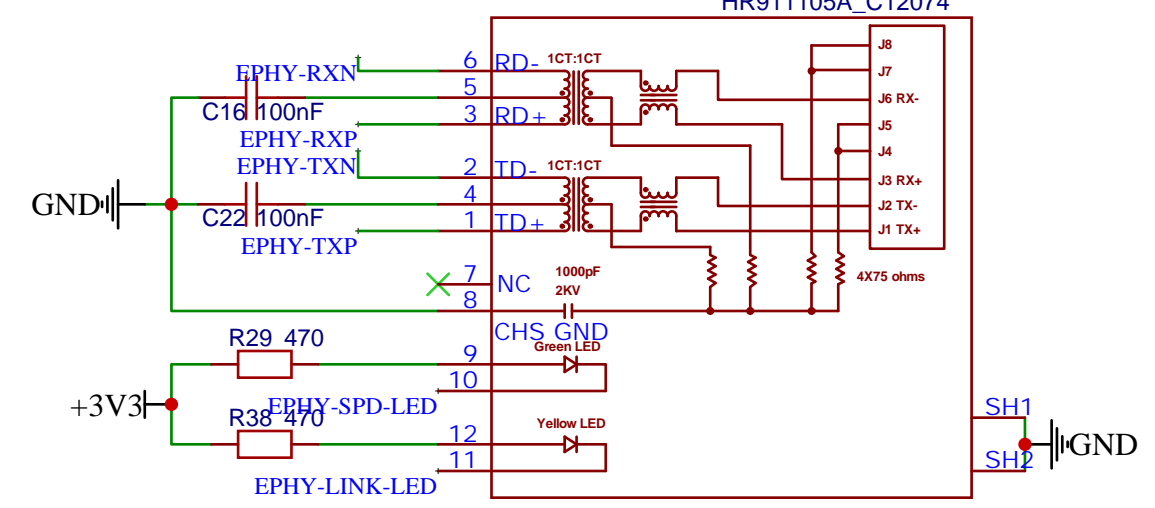
电源管理 $V_{out} = 0.6 * (1 + R_a/R_b)$



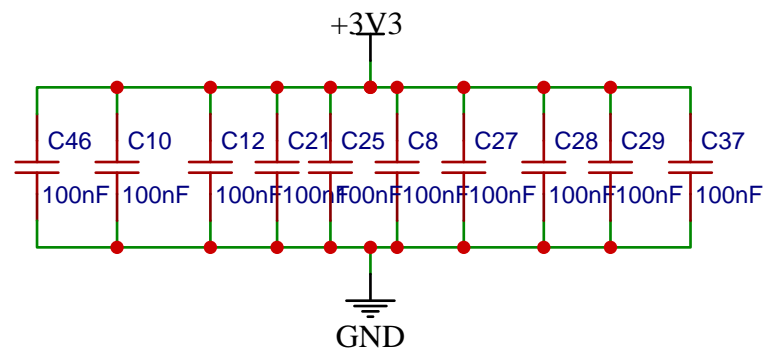
Type-c 供电/串口



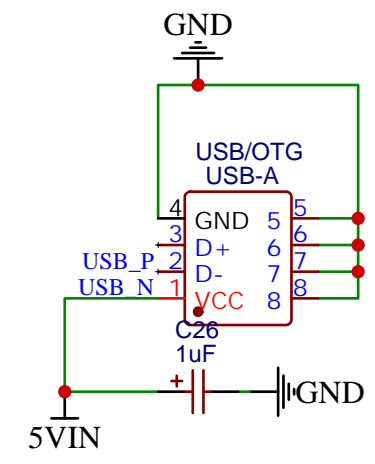
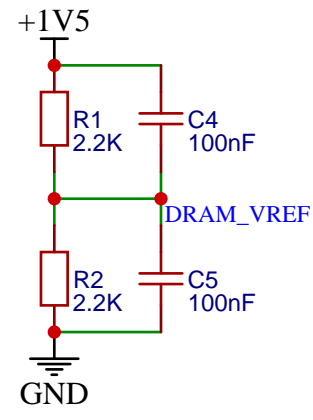
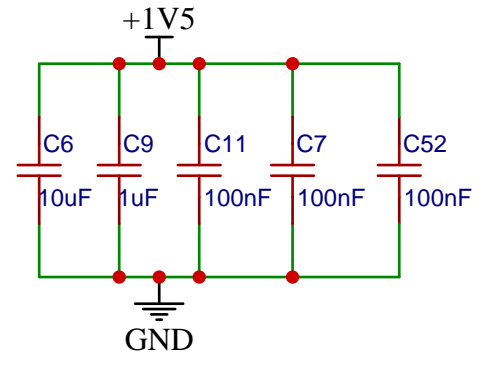
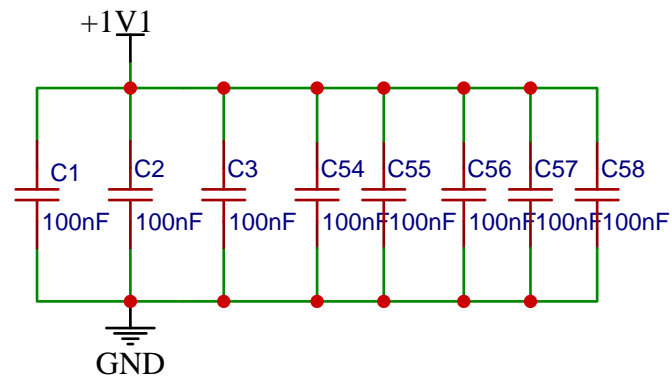
以太网



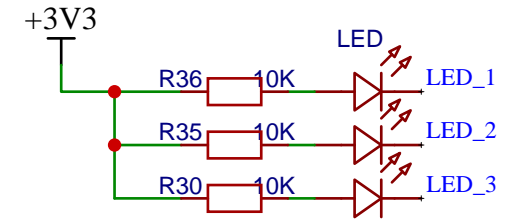
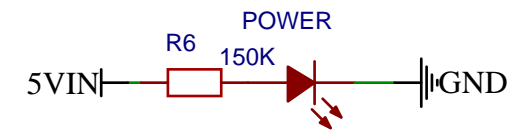
耳机音频接口



滤波



USB接口/OTG



电源指示灯/测试灯



