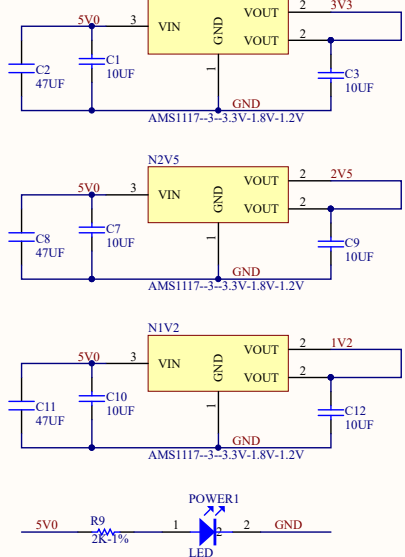
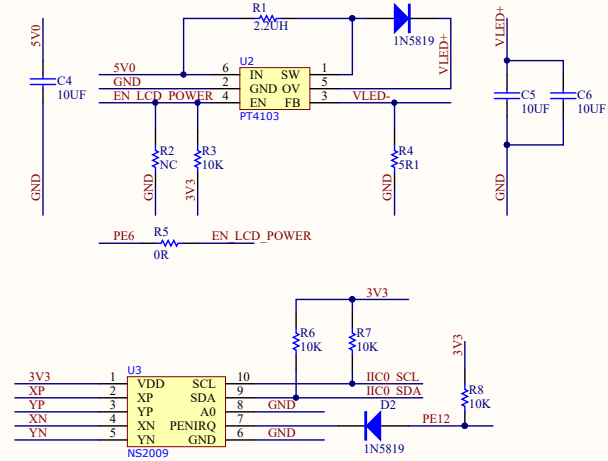


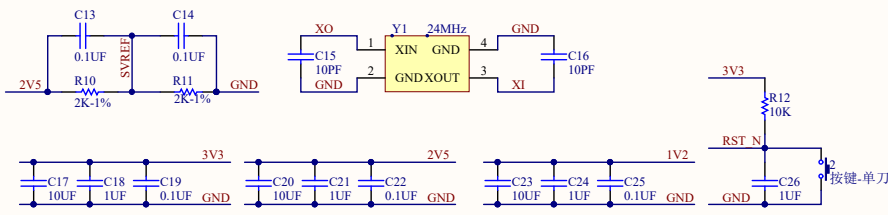
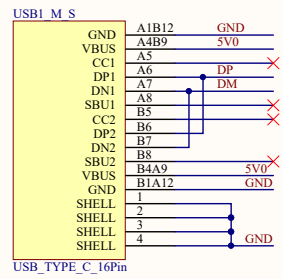
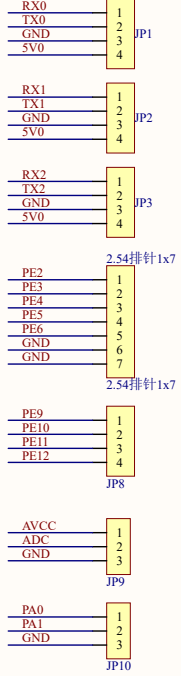
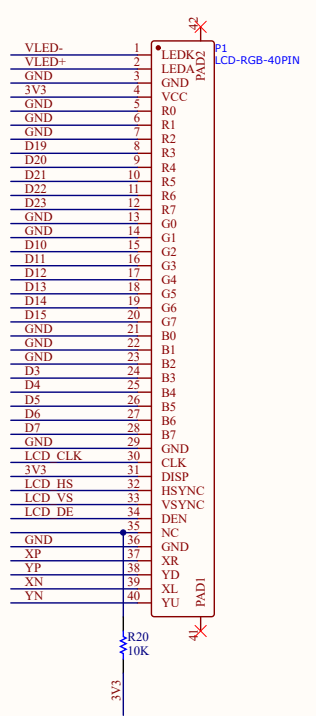
FIC200S



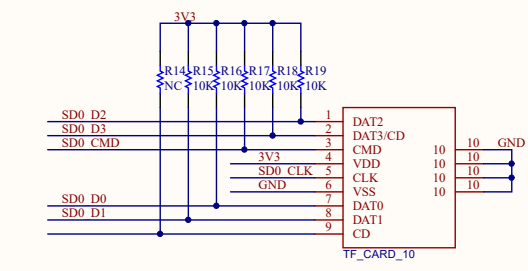
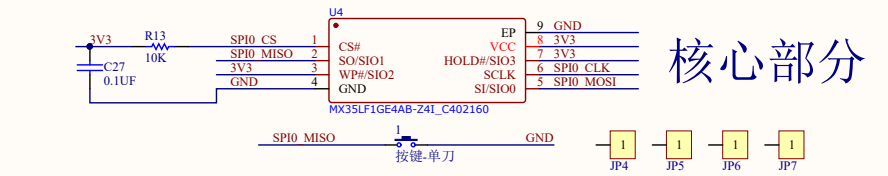
电源部分, 触摸部分



LCD部分与排针部分



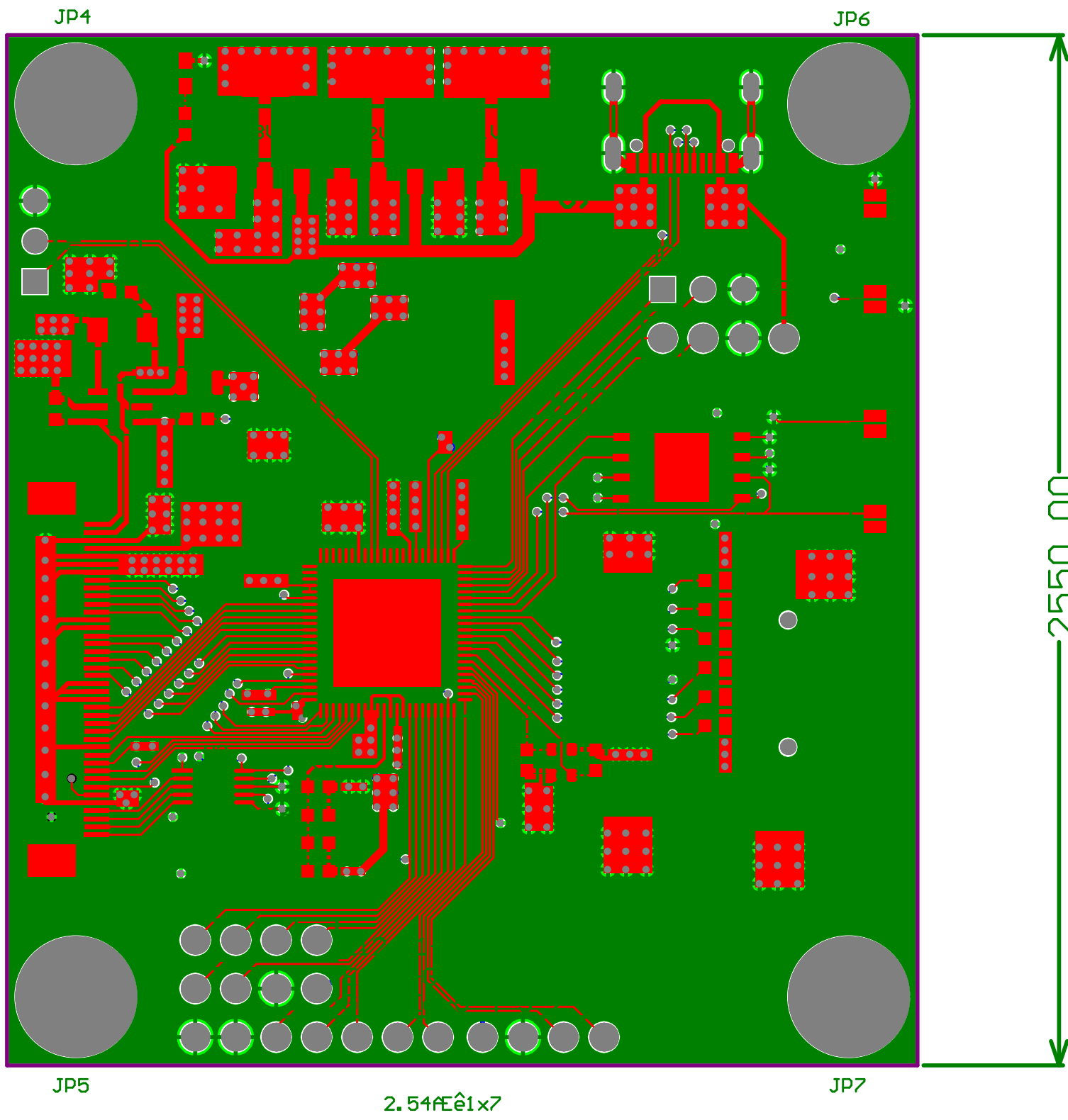
核心部分



TF卡部分

TYPEC部分

Title		
Size	Number	Revision
A3		
Date:	2022/6/27 星期一	Sheet of
File:	F:\MY_PRO_ALL\FIC200S_CORE.SHD	Drawn By:



JP4

JP6

2550.00

JP5

2.54E1x7

JP7

Comment	Description	Designator	Footprint	LibRef	Quantity
按键-单刀		1, 2	按键-单刀	按键-单刀	2
2.54排针1x7		2.54排针1x7	2.54排针1X7	2.54排针1x7	1
10UF	Capacitor	C1, C3, C4, C5, C6, C7, C9, C10, C12, C17, C20, C23	C 0603_L	CAP	12
47UF	Capacitor	C2, C8, C11	C0805	普通贴片电容	3
0.1UF	Capacitor	C13, C14, C19, C22, C25, C27	C 0603_L	CAP	6
10PF	Capacitor	C15, C16	C 0603_L	CAP	2
1UF	Capacitor	C18, C21, C24, C26	C 0603_L	CAP	4
1N5819	Diode 1N series	D1, D2	1206R	贴片二极管	2
2.54排针1x4	Connector	JP1, JP2, JP3, JP8	2.54排针1X4	2.54排针1x4	4
M3	Connector	JP4, JP5, JP6, JP7	M3x4+6_N - easy	M3	4
2.54排针1x3	Connector	JP9, JP10	2.54排针1x3	2.54排针1x3	2
AMS1117--3--3.3V-1.8V-1.2V		N1V2, N2V5, N3V3	AMS1117	AMS1117--3--3.3V-1.8V-1.2V	3
LCD-RGB-40PIN		P1	FPC-SMD_40P-P0.50_FG-H2.0-40P	LCD-RGB-40PIN	1
LED		POWER1	LED0603	LED	1
2.2UH	Resistor	R1	2520-L	Res1	1
NC	Resistor	R2, R14	R 0603_L	Res1	2
10K	Resistor	R3, R6, R7, R8, R12, R13, R15, R16, R17, R18, R19, R20	R 0603_L	Res1	12
5R1	Resistor	R4	R 0603_L	Res1	1
0R	Resistor	R5	R 0603_L	Res1	1
2K-1%	Resistor	R9, R10, R11	R 0603_L	Res1	3
TF_CARD_10		TF_CARD1	Micro SD	TF_CARD_10	1
F1C200s		U1	QFN40P1000X1000X85_HS-89N	F1C200s	1
PT4103		U2	SOT23-6	PT4103	1
NS2009		U3	MSOP-10	NS2009	1
MX35LF1GE4AB-Z4I_C402160		U4	WSON-8_L6.0-W8.0-P1.27-BL-EP	MX35LF1GE4AB-Z4I_C402160	1
USB_TYPE_C_16Pin		USB1_M_S	USB-C-16PIN-1	USB_TYPE_C_16Pin	1
24MHz	2520无源	Y1	晶振2520	晶振-4Pin-无源	1