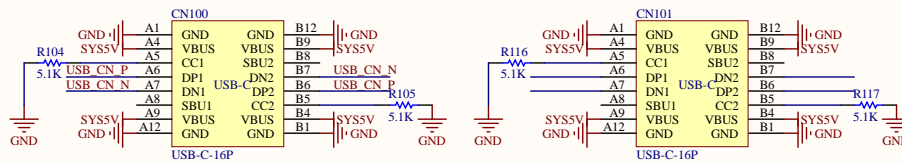
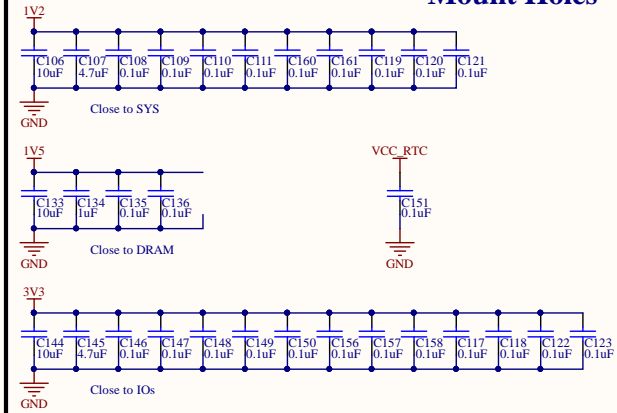


Power

DNI = Do Not Install

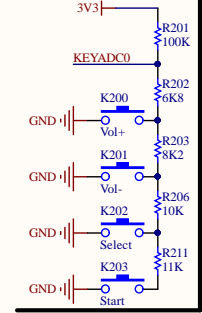
Power	Rail
3V3	VCC_IO
	VCC_HP
	VCC_USB
	VCC_PHY
	VCC_MCSI
	VCC_PE
	VCC_RTC
3V0	AVCC
	VCC_PLL
1V8	VCC_DRAM
1V2	VCC_SYS
	VCC_CPU
	VDD_PHY

Mount Holes

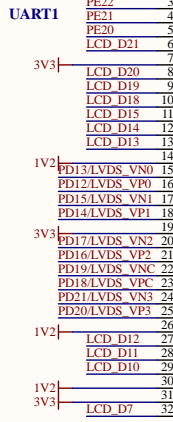


Title		
Size	Number	Revision
A3		
Date:	2022/4/20	Sheet of
File:	D:\Work\AD18\V3x\EVK-V3x\Sheet1.Sch	Drawn By:

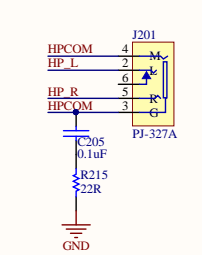
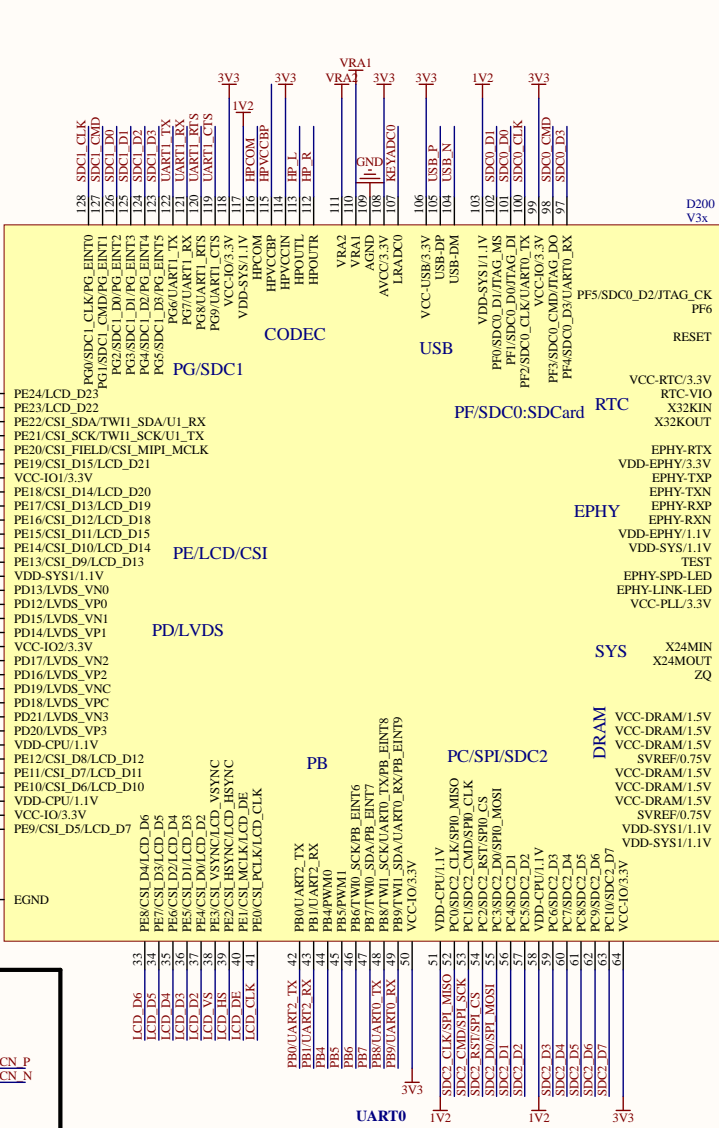
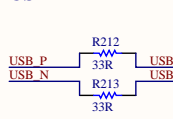
LRADC



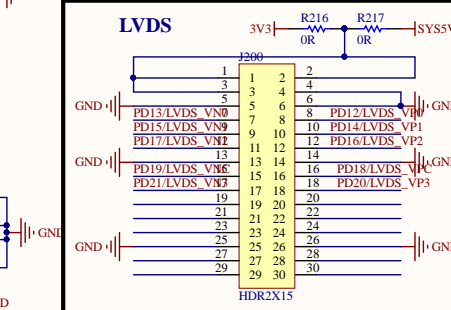
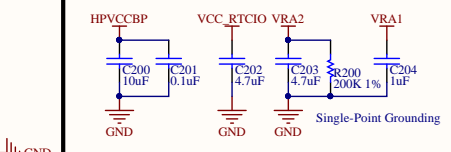
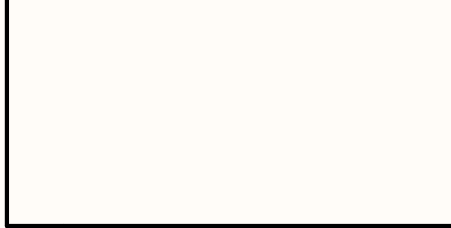
UART1



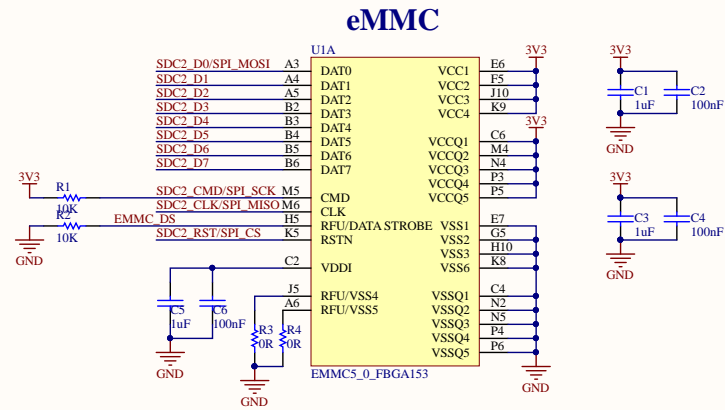
USB



USB



Title		
Size	Number	Revision
A3		
Date:	2022/4/20	Sheet of
File:	D:\Work\AD18\V3x\EVK-V3x\Sheet2.SchDown By:	



THGBMDG5D1LBAIL R3,R4:
If not support eMMC 5.0,
then DNI this two resistors

THGBMFG6C1LBAIL

Title		
Size A3	Number	Revision
Date: 2022/4/20	Sheet of	Drawn By:
File: D:\Work\AD18\V3x\EVK-V3x\Sheet4.Sch	Download By:	